



Technical
Information

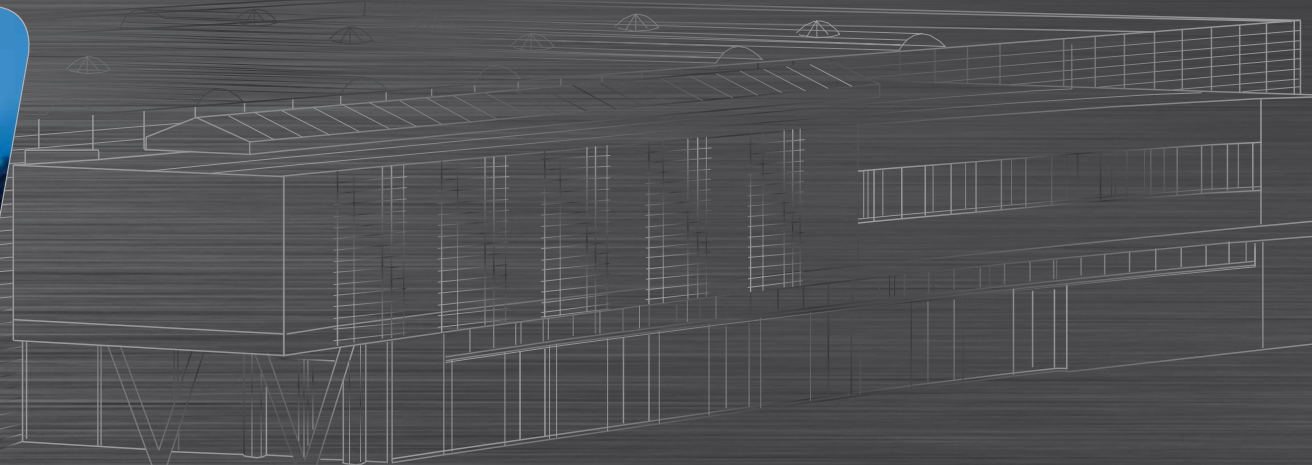


find your way



Leit- und Orientierungssysteme vermitteln einen ersten - oft entscheidenden - Eindruck und sind wichtiger Ausdruck der Kundenfreundlichkeit. Abgestimmt auf die Architektur und die spezifischen Anforderungen des Gebäudes sind sie wesentlicher Bestandteil der Corporate Identity und spiegeln - hochwertig, durchdacht, konsequent in Form und Funktion - Selbstverständnis und Identität eines Unternehmens, einer Institution oder einer Behörde wider. Erst durch viele funktionale und gestalterische Details und hohe Qualitätsstandards wird aus einem Wegweiser oder Schild ein ausgereiftes Orientierungs- und Leitsystem. Bei der Entwicklung der Orientierungs- und Leitsysteme berücksichtigt moedel konsequent die hohen Anforderungen von Planern und Kunden. In die Entwicklung und Herstellung der unterschiedlichen Systeme fließt die über 30-jährige Erfahrung in der Produktion von Siebdruckerzeugnissen ein. 90 qualifizierte Mitarbeiterinnen und Mitarbeiter erarbeiten auf 2 Werksgeländen mit insgesamt 15.000 m² nahe Amberg nach zertifizierten Fertigungsabläufen (DIN EN ISO 9001) Produkte von höchster Präzision, Perfektion und Beständigkeit.

Information and orientation systems often provide that all-important first impression while giving vital expressions of customer-friendliness at the same time. Carefully coordinated with the architecture and the specific requirements of the building they form an essential part of corporate identity, reflecting the image and identity of the company, institution or public authority. High quality, well conceived and rigorous in both form and function. It takes great attention to functional and design details, along with high quality standards, to turn a sign or guide into an optimized information and orientation system, moedel rigorously meets the high requirements of planners and customers in the development of information and orientation systems, drawing on over 30 years of experience in the production of screen print products to develop and produce a diversity of systems. A team of 90 employees work at two factory premises (together 15.000 m²) near Amberg, where certified production processes (DIN EN ISO 9001) turn out products of the highest precision, perfection and durability.



Berlin Basic



Post length	System groove	Format	Art. No.		
in mm	8 mm	in mm			
60 mm profile, round, silver-anodized					
1500	single	Ø 60	i 98601-1,5 *		
2000	single	Ø 60	i 98601-2 *		
2500	single	Ø 60	i 98601-2,5 *		
3000	single	Ø 60	i 98601-3 *		
1500	double, 90°	Ø 60	i 98602-1,5 *		
2000	double, 90°	Ø 60	i 98602-2 *		
2500	double, 90°	Ø 60	i 98602-2,5 *		
3000	double, 90°	Ø 60	i 98602-3 *		
90 mm profile, round, silver-anodized					
1500	single	Ø 90	i 98901-1,5 *		
2000	single	Ø 90	i 98901-2 *		
2500	single	Ø 90	i 98901-2,5 *		
3000	single	Ø 90	i 98901-3 *		
1500	double, 90°	Ø 90	i 9890290-1,5 *		
2000	double, 90°	Ø 90	i 9890290-2 *		
2500	double, 90°	Ø 90	i 9890290-2,5 *		
3000	double, 90°	Ø 90	i 9890290-3 *		
1500	double, 180°	Ø 90	i 98902180-1,5 *		
2000	double, 180°	Ø 90	i 98902180-2 *		
2500	double, 180°	Ø 90	i 98902180-2,5 *		
3000	double, 180°	Ø 90	i 98902180-3 *		
66 x 66 mm profile, square, silver-anodized					
1500	single	66 x 66	i 98661-1,5 *		
2000	single	66 x 66	i 98661-2 *		
2500	single	66 x 66	i 98661-2,5 *		
3000	single	66 x 66	i 98661-3 *		
66 x 66 mm profile, square, silver-anodized					
1500	1-4**	66 x 66	i 98664-1,5 *		
2000	1-4**	66 x 66	i 98664-2 *		
2500	1-4**	66 x 66	i 98664-2,5 *		
3000	1-4**	66 x 66	i 98664-3 *		

* Supplied silver-anodized as standard. For a painted version, please specify the desired color (e.g. RAL color) with the article number when placing the order.

** Supplied with 1 groove opened as standard. Further grooves can be opened using standard commercially available tools.

Special sizes on request.

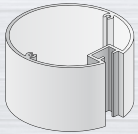
! In connection with the lengths of the post, please note that the posts have to be inserted at least 500 mm in footings or the ground. Please refer to page 96 for information relating to structural calculations and specifications for maximum sign sizes.

Profiles

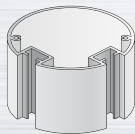
Berlin Basic round

single

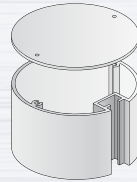
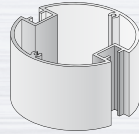
System groove 8 mm
 Ø 60 mm
 Ø 90 mm


double 90°

System groove 8 mm
 Ø 60 mm
 Ø 90 mm


double 180°

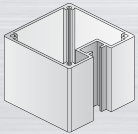
System groove 8 mm
 Ø 60 mm



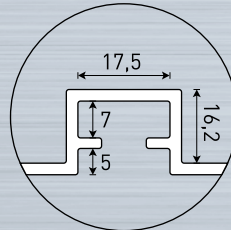
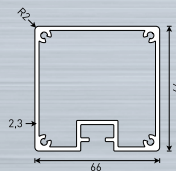
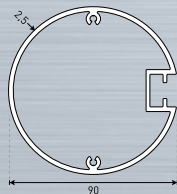
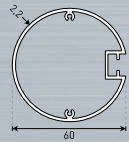
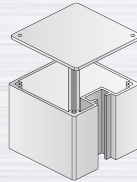
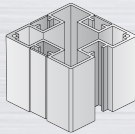
Berlin Basic square

single

System groove 8 mm
 66 x 66 mm

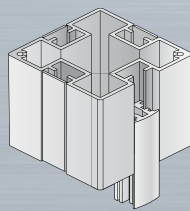
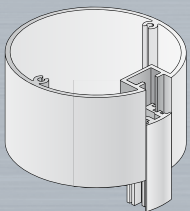

1-4

System groove 8 mm
 66 x 66 mm

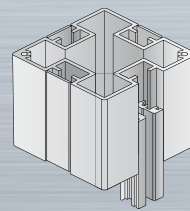
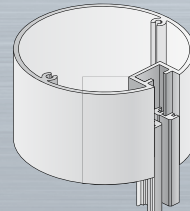
NEW


Berlin Basic Combination profile reducer cover strip 2 in 1

Use as cover strip, turned



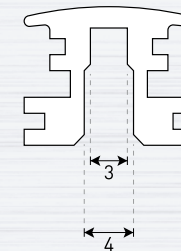
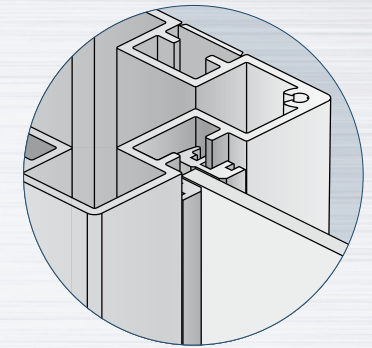
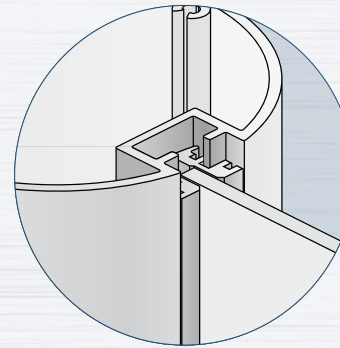
Use as reducer strip



Berlin Basic Combination profile reducer cover strip

The reducer cover strip is a silver-anodized combination profile designed for reducing the system groove to 3 or 4 mm and for covering the system groove if the strip is turned 180°. It is suitable for all Berlin Basic posts.

Use for reducing the groove to 3 or 4 mm


Profile length

in mm

 1000
 1500
 2000
 2500
 3000

Art. No.

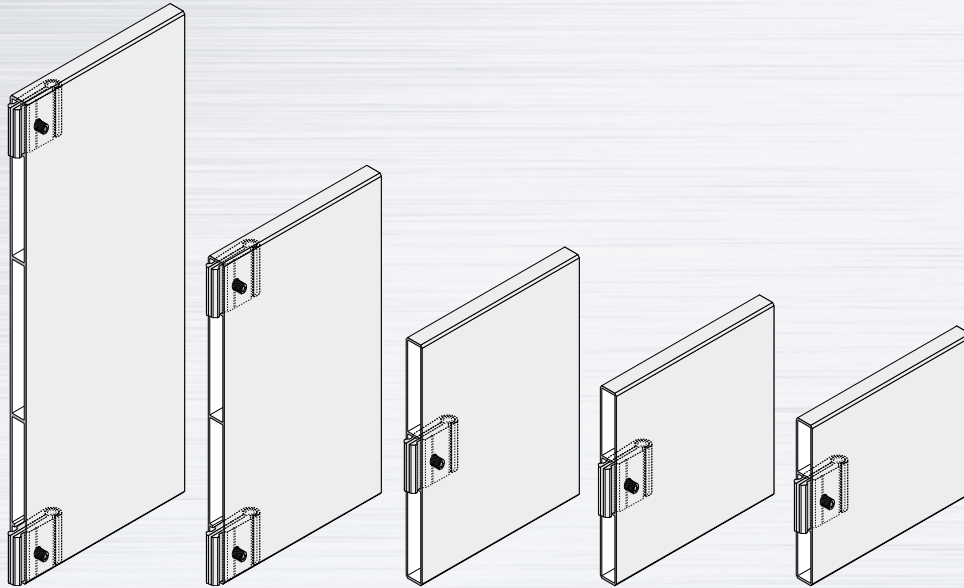
 i 98red1 *
 i 98red1,5 *
 i 98red2 *
 i 98red2,5 *
 i 98red3 *

* Supplied silver-anodized as standard. For a painted version, please specify the desired color (e.g. RAL color) with the article number when placing the order.

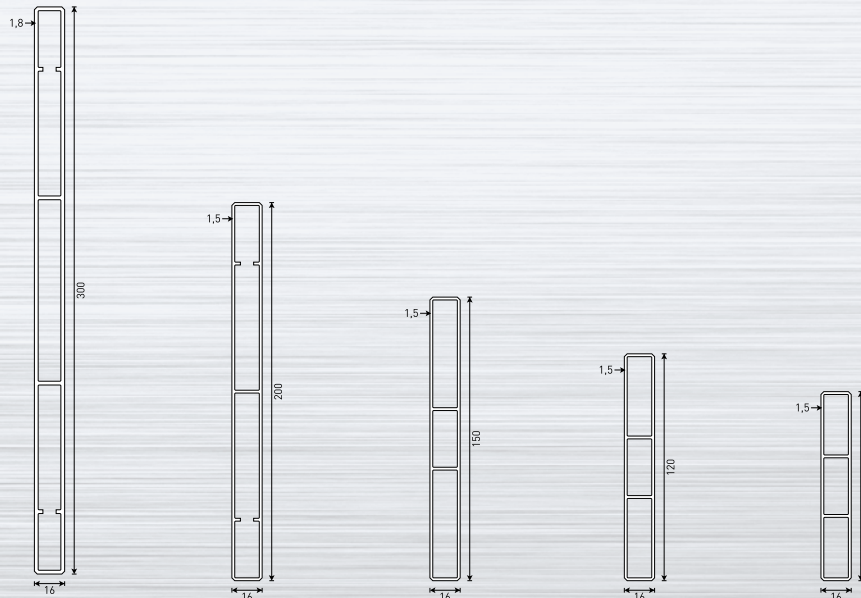
Special sizes on request.

Berlin Basic Box profile

Aluminium, with a material thickness of 15.8 mm. Usable on both sides for mounting in Berlin Basic posts. Supplied with holes, expansion fasteners and screw-head covers.



Profile height 300 mm Profile height 200 mm Profile height 150 mm Profile height 120 mm Profile height 100 mm

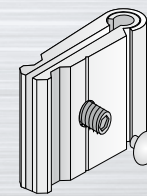


Box profile	usable display size	Expansion fastener	Art. No.		
height x width in mm	in mm				
100 x 1000	100 x 990	2 items	i 9810010 *		
100 x 1200	100 x 1190	2 items	i 9810012 *		
100 x 1500	100 x 1490	2 items	i 9810015 *		
100 x 2000	100 x 1990	2 items	i 9810020 *		
120 x 1000	120 x 990	2 items	i 9812010 *		
120 x 1200	120 x 1190	2 items	i 9812012 *		
120 x 1500	120 x 1490	2 items	i 9812015 *		
120 x 2000	120 x 1990	2 items	i 9812020 *		
150 x 1000	150 x 990	2 items	i 9815010 *		
150 x 1200	150 x 1190	2 items	i 9815012 *		
150 x 1500	150 x 1490	2 items	i 9815015 *		
150 x 2000	150 x 1990	2 items	i 9815020 *		
200 x 1000	200 x 990	4 items	i 9820010 *		
200 x 1200	200 x 1190	4 items	i 9820012 *		
200 x 1500	200 x 1490	4 items	i 9820015 *		
200 x 2000	200 x 1990	4 items	i 9820020 *		
300 x 1000	300 x 990	4 items	i 9830010 *		
300 x 1200	300 x 1190	4 items	i 9830012 *		
300 x 1500	300 x 1490	4 items	i 9830015 *		
300 x 2000	300 x 1990	4 items	i 9830020 *		

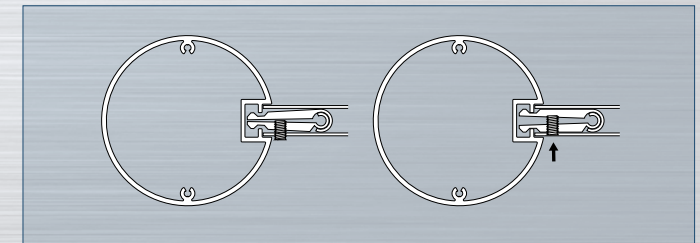
* Supplied silver-anodized as standard. For a painted version, please specify the desired color (e.g. RAL color) with the article number when placing the order.

Special sizes on request.

Functionality of expansion fasteners



Expansion fastener

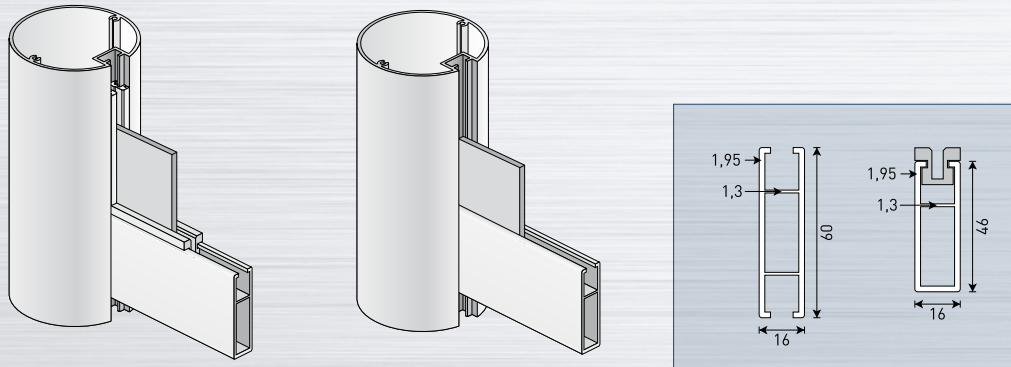


The box profiles and cross-arms are supplied with expansion fasteners for fastening to the post grooves. Position the two cavity profiles/cross-arms, which can be used on both sides, to the required position on the groove in the post and fasten by tightening the screw. Conceal the screws by fitting the screw-head covers.

Berlin Basic Cross bar and reducer profile

Cross bar with 1 groove made of aluminium, height 46 mm, material thickness of 16 mm, with 8 mm system groove.
Cross bar with 2 grooves made of aluminium, height 60 mm, material thickness 16 mm, with 2 8 mm system grooves.
 Both supplied incl. holes, expansion fasteners and screw-head covers.

Reducer profile for cross bar made of aluminium, for reducing the system groove in the cross bar to 4 mm. For reducing the post system groove, please use the reducer cover strip i 98red... (combination profile) on page 5.



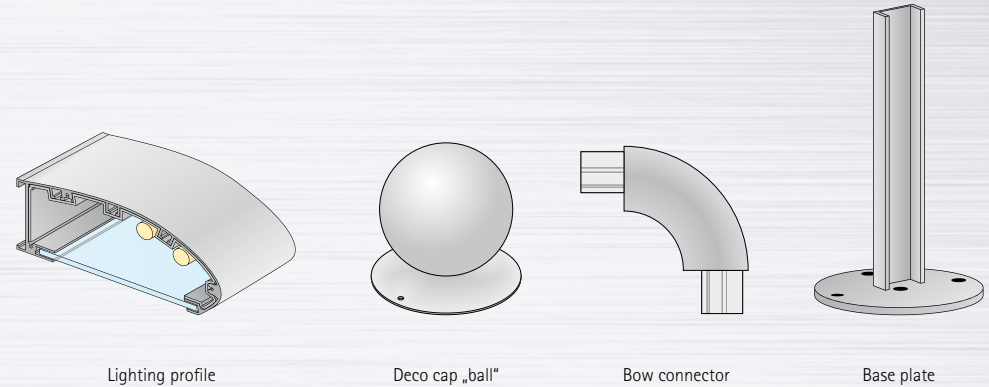
Cross bar and reducer profile with 4 mm information panel

Cross bar with 8 mm information panel

Format	usable display size	Expansion fasteners	Art. No.		
length in mm	in mm				
Cross bar with 1 groove					
46 x 1000	46 x 990	2 items	i 984610 *		
46 x 1200	46 x 1190	2 items	i 984612 *		
46 x 1500	46 x 1490	2 items	i 984615 *		
46 x 2000	46 x 1990	2 items	i 984620 *		
Cross bar with 2 grooves					
60 x 1000	60 x 990	2 items	i 98h6010 *	NEW	
60 x 1200	60 x 1190	2 items	i 98h6012 *		
60 x 1500	60 x 1490	2 items	i 98h6015 *		
60 x 2000	60 x 1990	2 items	i 98h6020 *		
Reducer profile, 4 mm for cross bar					
1000	990		i 984610-4 *		
1200	1190		i 984612-4 *		
1500	1490		i 984615-4 *		
2000	1990		i 984620-4 *		

* Supplied silver-anodized as standard. For a painted version, please specify the desired color (e.g. RAL color) with the article number when placing the order.

Berlin Basic Accessories



Lighting profile

Deco cap „ball“

Bow connector

Base plate

Berlin Basic Lighting profile

Puts outdoor free-standing shapely in perspective.



Technical data:

Fits to all Berlin Basic posts. Format: 52 x 150 mm (h x w). Pre-assembled on cross bar; delivery will be effected ready to mount (cable exit in the mid of the backside). Illuminants: 2 fluorescent tubes T8; The Lighting profile is splashproof.

Version	Profile length	Cross bar length	Art. No.		
	in mm	in mm			
single-sided	990	1000	i 98leuchts10 *		
	1190	1200	i 98leuchts12 *		
	1490	1500	i 98leuchts15 *		
	1990	2000	i 98leuchts20 *		
double-sided	990	1000	i 98leuchtd10 *		
	1190	1200	i 98leuchtd12 *		
	1490	1500	i 98leuchtd15 *		
	1990	2000	i 98leuchtd20 *		

* Supplied silver-anodized as standard. For a painted version, please specify the desired color (e.g. RAL color) with the article number when placing the order.

Berlin Basic Deco cap

Supplied painted in RAL 9006 as standard (hence difference in color to silver-anodized).

Post	Version / Form	Format	Art. No.
Diameter in mm		Ø in mm	
60	ball	50	i 9850kugel
90	ball	80	i 9880kugel

Berlin Basic Bow connectors

Aluminium, supplied in RAL 9006 as standard (hence difference in color to silver-anodized).

Post	Version / Form	Display size	Art. No.
Diameter in mm		height x width mm	
60	90°	115 x 115	i 9860bo
90	90°	170 x 170	i 9890bo

Berlin Basic Base plate

NEW

For all Berlin Basic posts. Galvanized steel Ø 140 x 8 mm incl. 3 holes Ø 13 mm. Shaft height ca. 450 mm. We advise to set the poles in concrete. We do not accept claims concerning the static in case of using base plates.

Post	Format	Art. No.
Diameter in mm		
60 90 66 x 66 with 1 groove	Ø 140 x 8 x 450	i 98bopla
66 x 66 with 1-4 grooves	Ø 140 x 8 x 450	i 6641bopla

Berlin Basic Ground-mounted spotlights

NEW



For outdoor use, incl. illuminant. Please have a look on page 90 for detailed information.

Name	visible format	installation depth	up to the height of	output	Art. No.
	in mm	in mm			
swivelling floodlights „circle 1“	Ø 215	225	2 m	75 W	i leucht1
asymmetrical floodlights „circle 2“	Ø 265	220	3 m	70 W	i leucht2
asymmetrical floodlights „square“	120 x 1000	110	2 m	21 W	i leucht3
swivelling ground spotlight „flexi“	Ø 250	-	2,5 m	70 W	i leucht4
spike for the spotlight	l 250	250	-	-	i spieß

All posts have certification from an independent engineer's practice of positive results in structural tests. Details and foundations plans can be found on page 96.



Berlin Basic Example of application 1

i 98601-2	2 x	post Ø 60 mm; single groove; length 2000 m
i 98601-1,5	1 x	post Ø 60 mm; single groove; length 1077 mm (shortened)
i 9830012	1 x	box profile 300 x 1200 mm incl. expansion fasteners
i 9820012	2 x	box profile 200 x 1200 mm incl. expansion fasteners
i 9860bo	2 x	bow connectors
i 98red-1,5	2 x	combination profile 1300 mm, used as cover strips (2 items à 1500 mm for self-cutting-to-size)

This is how to calculate the length of the post cross bar:

- » for post Ø 60 mm: total panel width - 125 mm = length of the post cross bar
- » for post Ø 90 mm: total panel width - 165 mm = length of the post cross bar



Berlin Basic Example of application 2

i 98661-1,5	2 x	post 66 x 66 mm; single groove; length 1500 mm
i 984615	2 x	cross bar 46 x 1500 mm incl. expansion fasteners
i 984615-4	2 x	reducer profile for cross bar 1500 mm
i 98red1	2 x	combination profile 1000 mm for posts, used as cover strip
i 98red1	2 x	combination profile 500 mm for posts, used as reducers (1 item à 1000 mm for self-cutting-to-size)
	1 x	panel 1022 x 1522 x 3 mm (on request)

This is how to calculate the panel dimensions:

Lettering area + 22 mm



Berlin Entrée

**Freie Ladenflächen
ab sofort zu vermieten**

250 m² - 650 m²

Kontakt:
Arkaden am Speerberg GmbH
Bahnhofstraße 20
12345 Speerberg

Herr Scharl
0171/1 23 45 67
www.arkaden-speerberg.eu
scharl@arkaden-speerberg.eu

**ARKADEN
AM SPEERBERG**

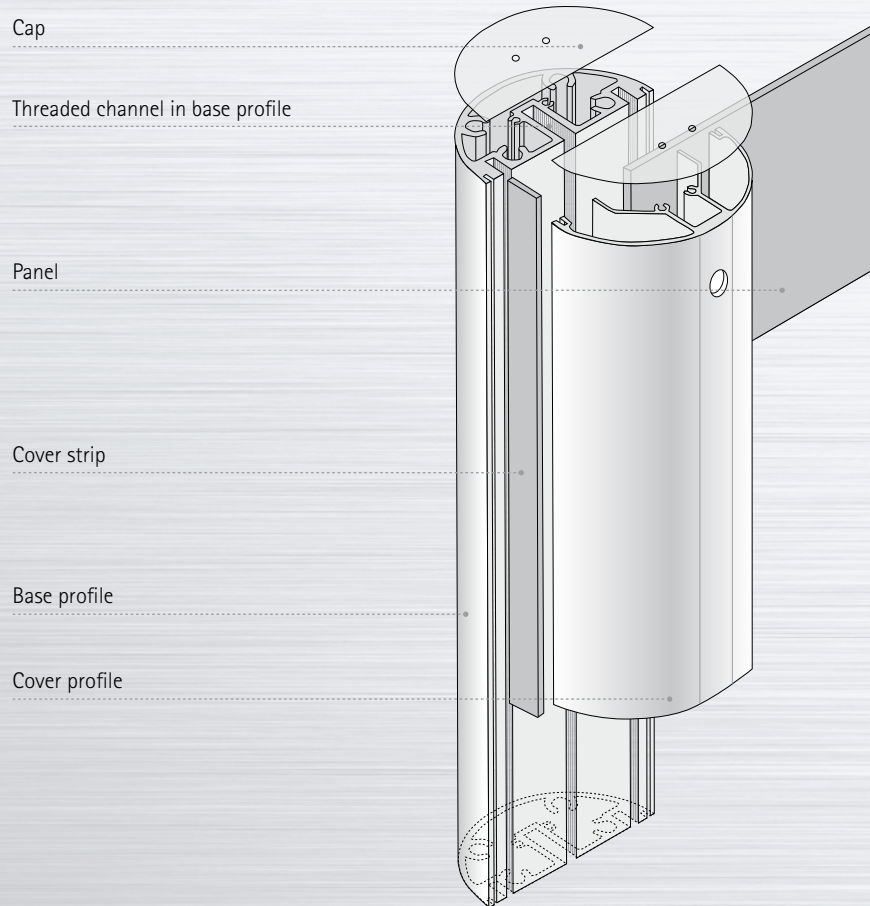
Gesundheitszentrum

Öffnungszeiten:
Mo - Fr 09:00 - 17:00 Uhr
Sa 09:00 - 12:00 Uhr

jeden 2. Donnerstag
bis 20:00 Uhr

Berlin Entrée

Profiles



Berlin Entrée posts are comprised of a cover profile and a base profile, the latter being 500 mm longer to enable installation in the ground/ floor.

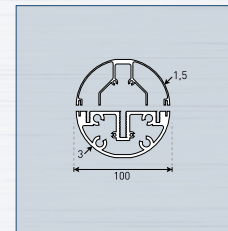
Delivery includes matching end caps as well as cover strips matched to the thickness of the panel. Berlin Entrée is delivered pre-assembled. Please order information panels and fastening screws separately.

- ! All posts have certification from an independent engineer's practice of positive results in structural tests.
- ! Details and foundations plans can be found on page 96.

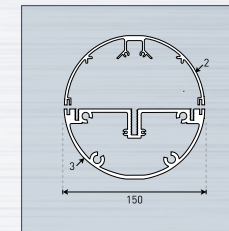
- ! The Berlin Entrée can only be erected by setting the 500mm longer base profile in footings. To enable the panels to be changed again in the future the cover profile must be above the footings.

Berlin Entrée Cross-sections of the base and cover profiles

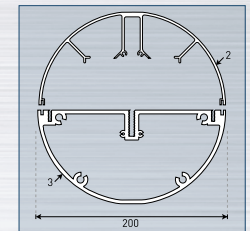
100 mm - profile



150 mm - profile



200 mm - profile



Berlin Entrée Profiles

Length*	Ø	Material thickness	Art. No.	Art. No.		
in mm	in mm	in mm **	silver-anodized	SST ***		
100 mm - profile, round, EV1 silver-anodized or stainless steel finish (SST)						
1500	100	1 - 16**	i 9315e	i 9315s		
2000	100	1 - 16**	i 9320e	i 9320s		
2500	100	1 - 16**	i 9325e	i 9325s		
3000	100	1 - 16**	i 9330e	i 9330s		
Length*	Ø	Material thickness	Art. No.	Art. No.		
in mm	in mm	in mm **	silver-anodized	SST ***		
150 mm - profile, round, EV1 silver-anodized or stainless steel finish (SST) ***						
2000	150	1 - 16**	i 9720e	i 9720s		
2500	150	1 - 16**	i 9725e	i 9725s		
3000	150	1 - 16**	i 9730e	i 9730s		
3500	150	1 - 16**	i 9735e	i 9735s		
4000	150	1 - 16**	i 9740e	i 9740s		
200 mm - profile, round, EV1 silver-anodized or stainless steel finish (SST) ***						
2000	200	1 - 16**	i 9920e	i 9920s		
2500	200	1 - 16**	i 9925e	i 9925s		
3000	200	1 - 16**	i 9930e	i 9930s		
3500	200	1 - 16**	i 9935e	i 9935s		
4000	200	1 - 16**	i 9940e	i 9940s		
4500	200	1 - 16**	i 9945e	i 9945s		

- ! * The specified dimension refers to the length of the cover profile (length of base profile = specified dimensions + 500 mm = delivery length).

** Please indicate material thickness in case of order.

*** While stock lasts.

Fillister head screws for fastening your information panels to Berlin Entrée posts

Fillister head screws with cross recessed heads, stainless steel, 1 unit pack = 10 items

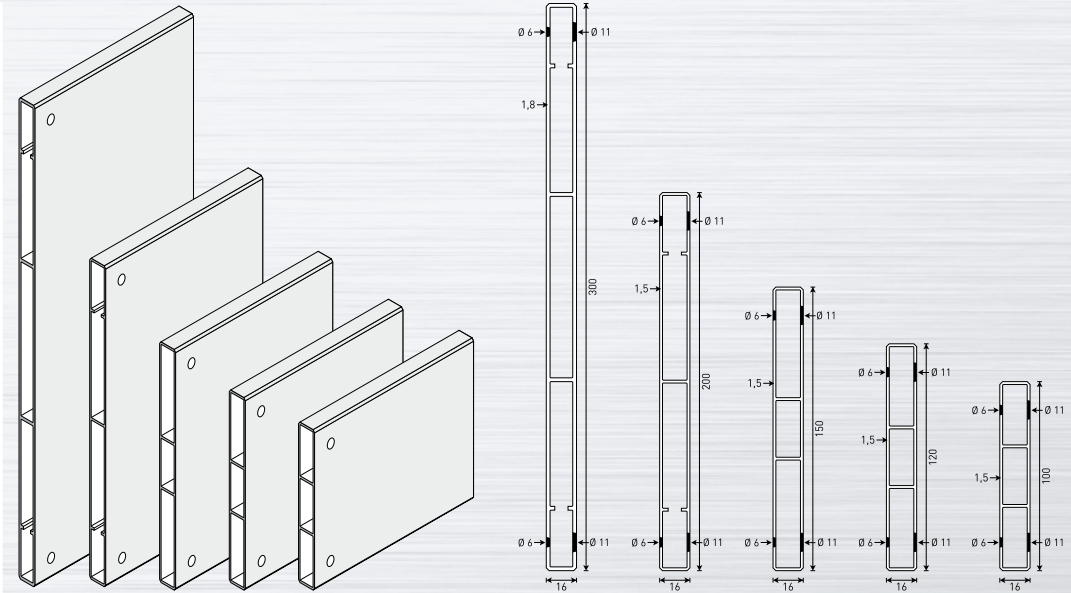
Material thickness	Art. No.
up to 4 mm	i 9508li
from 4 to 8 mm	i 9512li
from 8 to 12 mm	i 9516li
from 12 to 16 mm	i 9520li

Berlin Entrée Box profiles

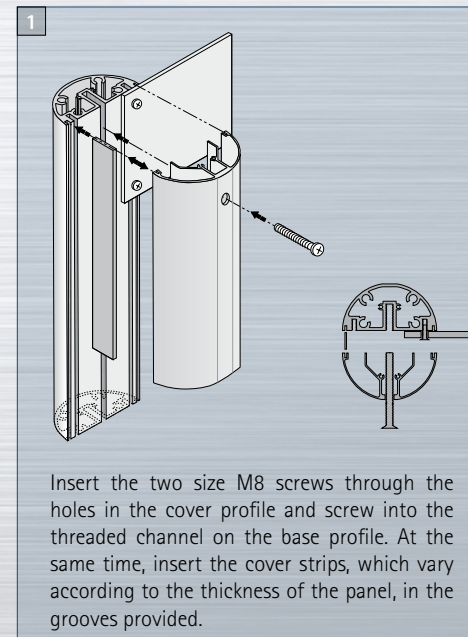
Aluminium E6/EV1 silver-anodized, usable both sides, for mounting on Berlin Entrée posts, with 4 holes of 6 mm diameter

Box profiles	usable display size	Thickness	Version	Art. No.
height x width in mm	in mm	in mm		
100 x 1000	100 x 944	15,8	silver-anodized	i 9310010
100 x 1200	100 x 1144	15,8	silver-anodized	i 9310012
100 x 1500	100 x 1444	15,8	silver-anodized	i 9310015
100 x 2000	100 x 1944	15,8	silver-anodized	i 9310020
120 x 1000	120 x 944	15,8	silver-anodized	i 9312010
120 x 1200	120 x 1144	15,8	silver-anodized	i 9312012
120 x 1500	120 x 1444	15,8	silver-anodized	i 9312015
120 x 2000	120 x 1944	15,8	silver-anodized	i 9312020
150 x 1000	150 x 944	15,8	silver-anodized	i 9315010
150 x 1200	150 x 1144	15,8	silver-anodized	i 9315012
150 x 1500	150 x 1444	15,8	silver-anodized	i 9315015
150 x 2000	150 x 1944	15,8	silver-anodized	i 9315020
200 x 1000	200 x 944	15,8	silver-anodized	i 9320010
200 x 1200	200 x 1144	15,8	silver-anodized	i 9320012
200 x 1500	200 x 1444	15,8	silver-anodized	i 9320015
200 x 2000	200 x 1944	15,8	silver-anodized	i 9320020
300 x 1000	300 x 944	15,8	silver-anodized	i 9330010
300 x 1200	300 x 1144	15,8	silver-anodized	i 9330012
300 x 1500	300 x 1444	15,8	silver-anodized	i 9330015
300 x 2000	300 x 1944	15,8	silver-anodized	i 9330020

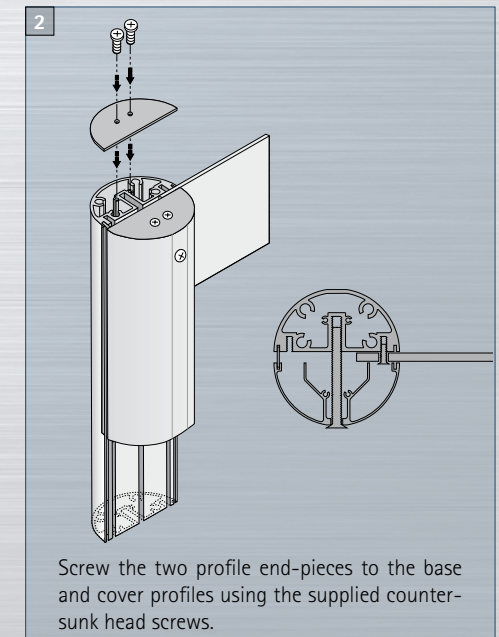
Special sizes on request.



Berlin Entrée Installation



Insert the two size M8 screws through the holes in the cover profile and screw into the threaded channel on the base profile. At the same time, insert the cover strips, which vary according to the thickness of the panel, in the grooves provided.

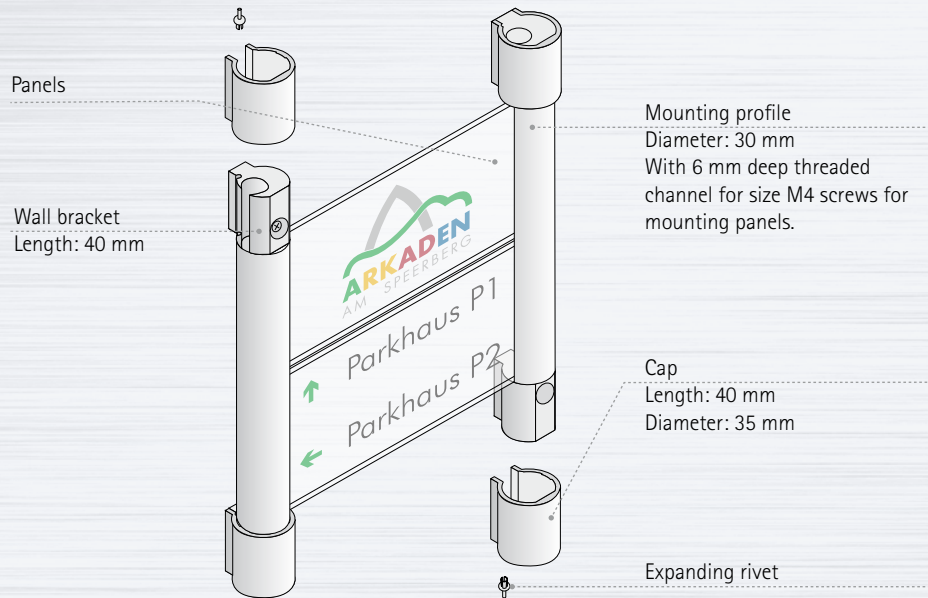


Screw the two profile end-pieces to the base and cover profiles using the supplied counter-sunk head screws.

Berlin Sign panel system for wall mounting



Berlin Sign panel system for wall mounting



A Berlin sign panel system is comprised of 2 mounting profiles, 4 wall brackets made of anodized aluminium, 4 caps and expanding rivets. The information panels are fixed to the mounting profiles from the back with fillister head screws. Please order the information panel and matching fillister head screws separately.

Length of mounting profile in mm	Version	Art. No.
500	Anodized aluminium EV1	i 9450 *
750	Anodized aluminium EV1	i 9475 *
1000	Anodized aluminium EV1	i 9410 *
1500	Anodized aluminium EV1	i 9415 *
2000	Anodized aluminium EV1	i 9420 *
500	Anodized aluminium stainless steel finish	i 9450s *
750	Anodized aluminium stainless steel finish	i 9475s *
1000	Anodized aluminium stainless steel finish	i 9410s *
1500	Anodized aluminium stainless steel finish	i 9415s *
2000	Anodized aluminium stainless steel finish	i 9420s *

* One unit pack (UP) comprises 2 mounting profiles, 4 wall brackets and 4 caps in anodized aluminium, plus 4 expanding rivets.

Special dimensions in request.

The profiles can be shortened without difficulty using standard commercially available tools.

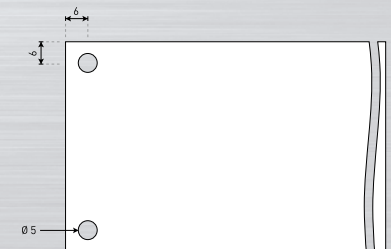
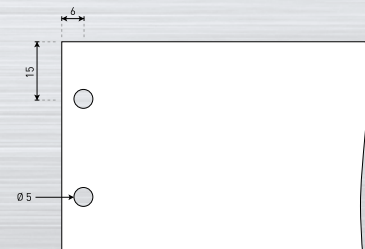
„Gold-Version“ on request.

Fillister head screws for fastening your information panel to the Berlin sign panel system

Fillister head screws with cross recessed head; stainless steel material; 1 unit pack = 10 items

Material thickness	Art. No.
up to 3 mm	i 9406 Li
2 to 5 mm	i 9408 Li
4 to 7 mm	i 9410 Li
6 to 9 mm	i 9412 Li
10 to 13 mm	i 9416 Li
14 to 17 mm	i 9420 Li

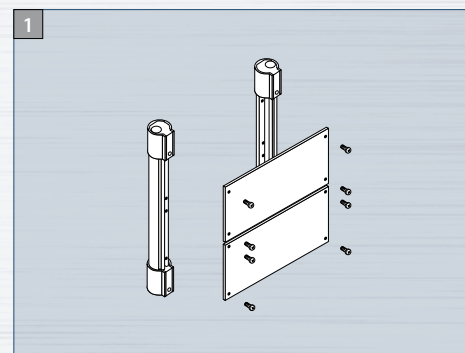
Hole spacing for 6 mm or 12 mm laminated safety glass Hole spacing for aluminium, acrylic, stainless steel panels



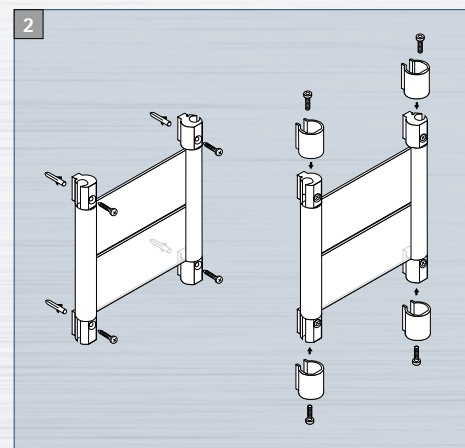
Panels for sign panel system

Production size	Display surface	Material thickness	Holes	Art. No.	
height x width in mm	height x width in mm	in mm	Quantity x Ø in mm		
Stainless steel panels, grain 240, brushed					
50 x 422	50 x 400	1,5	4 x 5	i 94405s	
75 x 422	75 x 400	1,5	4 x 5	i 94407s	
100 x 422	100 x 400	1,5	4 x 5	i 94410s	
125 x 422	125 x 400	1,5	4 x 5	i 94412s	
150 x 422	150 x 400	1,5	4 x 5	i 94415s	
200 x 422	200 x 400	1,5	4 x 5	i 94420s	
250 x 422	250 x 400	1,5	4 x 5	i 94425s	
300 x 422	300 x 400	1,5	4 x 5	i 94430s	
400 x 422	400 x 400	1,5	4 x 5	i 94440s	
Aluminium panels, silver-anodized in E6/EV 1					
50 x 422	50 x 400	3	4 x 5	i 94405e	
75 x 422	75 x 400	3	4 x 5	i 94407e	
100 x 422	100 x 400	3	4 x 5	i 94410e	
125 x 422	125 x 400	3	4 x 5	i 94412e	
150 x 422	150 x 400	3	4 x 5	i 94415e	
200 x 422	200 x 400	3	4 x 5	i 94420e	
250 x 422	250 x 400	3	4 x 5	i 94425e	
300 x 422	300 x 400	3	4 x 5	i 94430e	
400 x 422	400 x 400	3	4 x 5	i 94440e	
Acryl panels, with polished edges					
50 x 422	50 x 400	6	4 x 5	i 94405a	
75 x 422	75 x 400	6	4 x 5	i 94407a	
100 x 422	100 x 400	6	4 x 5	i 94410a	
125 x 422	125 x 400	6	4 x 5	i 94412a	
150 x 422	150 x 400	6	4 x 5	i 94415a	
200 x 422	200 x 400	6	4 x 5	i 94420a	
250 x 422	250 x 400	6	4 x 5	i 94425a	
300 x 422	300 x 400	6	4 x 5	i 94430a	
400 x 422	400 x 400	6	4 x 5	i 94440a	

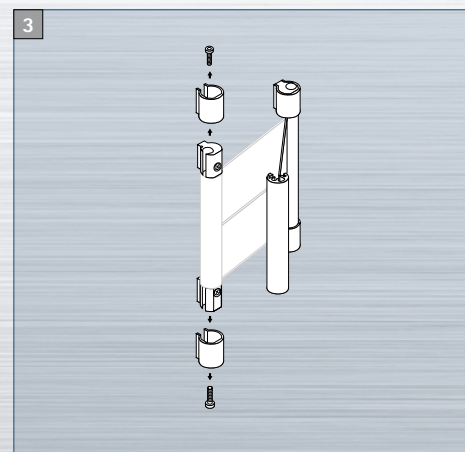
Fitting and changing the panels in the Berlin sign panel system



The information panels are fastened to the back of the mounting profiles with four fillister head screws each. The screws (not included in the contents of delivery) are screwed to a threaded channel in the mounting profile. This means that you can choose any size of information panel.



1. Mark the positions for the holes through the wall bracket.
2. Drill the holes and insert the dowels, then screw the wall bracket in position.
3. Fit the covers and secure with expanding rivets.



To change the panels, unscrew the allen screws in the top and bottom wall bracket on one side.

You can then swing open the mounting profile together with the signs and remove the panels.



Schilderfabrikation Moedel GmbH

➔ Warnen-Sichern-Kennzeichen

➔ Digitaldruck - Siebdruck

Werk I
August-Borsig-Straße 1
Industriegebiet Nord
D-92224 Amberg

➔ Leit- und Orientierungssysteme

Werk II
Wernher-von-Braun-Straße 13
Industriegebiet Nord
D-92224 Amberg

Postfach 1755
D-92207 Amberg

Telefon +49/9621/605-0
Telefax +49/9621/605-145
E-Mail amberg@moedel.de
Web www.moedel.de

Niederlassung Berlin
Danziger Straße 64
10435 Berlin
Telefon +49/30/44 34 09 56
Telefax +49/30/44 34 09 57
E-Mail berlin@moedel.de