



Technical
Information

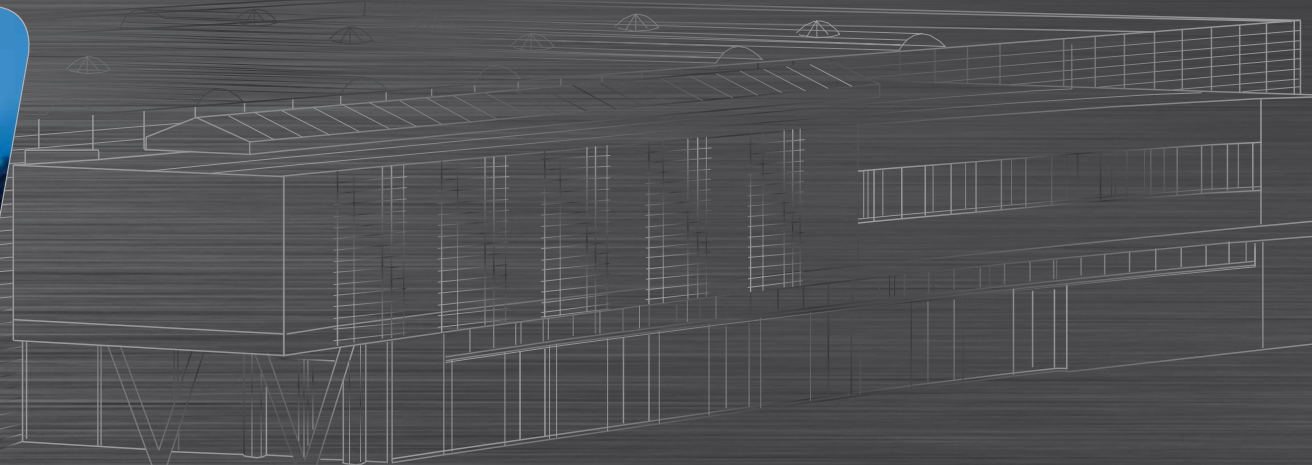


find your way



Leit- und Orientierungssysteme vermitteln einen ersten - oft entscheidenden - Eindruck und sind wichtiger Ausdruck der Kundenfreundlichkeit. Abgestimmt auf die Architektur und die spezifischen Anforderungen des Gebäudes sind sie wesentlicher Bestandteil der Corporate Identity und spiegeln - hochwertig, durchdacht, konsequent in Form und Funktion - Selbstverständnis und Identität eines Unternehmens, einer Institution oder einer Behörde wider. Erst durch viele funktionale und gestalterische Details und hohe Qualitätsstandards wird aus einem Wegweiser oder Schild ein ausgereiftes Orientierungs- und Leitsystem. Bei der Entwicklung der Orientierungs- und Leitsysteme berücksichtigt moedel konsequent die hohen Anforderungen von Planern und Kunden. In die Entwicklung und Herstellung der unterschiedlichen Systeme fließt die über 30-jährige Erfahrung in der Produktion von Siebdruckerzeugnissen ein. 90 qualifizierte Mitarbeiterinnen und Mitarbeiter erarbeiten auf 2 Werksgeländen mit insgesamt 15.000 m² nahe Amberg nach zertifizierten Fertigungsabläufen (DIN EN ISO 9001) Produkte von höchster Präzision, Perfektion und Beständigkeit.

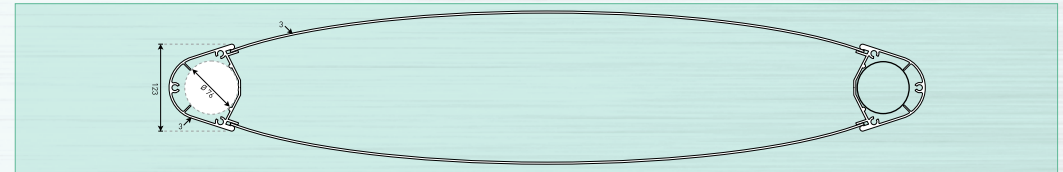
Information and orientation systems often provide that all-important first impression while giving vital expressions of customer-friendliness at the same time. Carefully coordinated with the architecture and the specific requirements of the building they form an essential part of corporate identity, reflecting the image and identity of the company, institution or public authority. High quality, well conceived and rigorous in both form and function. It takes great attention to functional and design details, along with high quality standards, to turn a sign or guide into an optimized information and orientation system, moedel rigorously meets the high requirements of planners and customers in the development of information and orientation systems, drawing on over 30 years of experience in the production of screen print products to develop and produce a diversity of systems. A team of 90 employees work at two factory premises (together 15.000 m²) near Amberg, where certified production processes (DIN EN ISO 9001) turn out products of the highest precision, perfection and durability.



Frankfurt Outdoor stands

Robust and representative the outdoor stand Frankfurt welcomes guests.

The Frankfurt outdoor stand comprises two silver anodized aluminium profiles (3 mm thick) and two convex curved aluminium composite panels (painted in RAL 9016 traffic white or RAL 9006 aluminium white). Profiles and lettering area are permanently connected together by the cover and the base plate (both painted in RAL 7015 slate-gray). This simple means of installing the stand is rounded off with the 500 mm longer galvanized steel tubes (Ø 74 mm) included in delivery. Information about the foundation plan and structural calculations can be found on page 96.



Sign size	Information area	Art. No.	Art. No.		
height x width in mm	height x width in mm	RAL 9016	RAL 9006		
		traffic white	silver		
1500 x 1085	1500 x 890	i 2160	i 2160 F18		
2000 x 1085	2000 x 890	i 2161	i 2161 F18		
2500 x 1085	2500 x 890	i 2162	i 2162 F18		
3000 x 1085	3000 x 890	i 2163	i 2163 F18		
3500 x 1085	3500 x 890	i 2164	i 2164 F18		
2000 x 1326	2000 x 1140	i 2171	i 2171 F18		
2500 x 1326	2500 x 1140	i 2172	i 2172 F18		
3000 x 1326	3000 x 1140	i 2173	i 2173 F18		
2000 x 1572	2000 x 1390	i 2181	i 2181 F18		
2500 x 1572	2500 x 1390	i 2182	i 2182 F18		
3000 x 1572	3000 x 1390	i 2183	i 2183 F18		

Frankfurt Ground-mounted spotlights

NEW

For outdoor use, incl. illuminant. Please have a look on page 90 for detailed information.



Name	visible format	installation depth	up to the height of	output	Art. No.	
	in mm	in mm				
swivelling floodlights „circle 1“	Ø 215	225	2 m	75 W	i leucht1	
asymmetrical floodlights „circle 2“	Ø 265	220	3 m	70 W	i leucht2	
asymmetrical floodlights „square“	120 x 1000	110	2 m	21 W	i leucht3	
swivelling ground spotlight „flexi“	Ø 250	-	2,5 m	70 W	i leucht4	
spike for the spotlight	l 250	250	-	-	i spieß	

Frankfurt Indoor stands

Versatility and consistency – this is what the Frankfurt indoor stand represents. The double sided sign information surfaces have space for permanent or flexible information. With the option of lighting on the inside, this stand cannot be overlooked.

Technical data:

The information panel made of 2mm white plastic and the fitting non-reflective covers made of 1mm PVC are held in place by the interior grooves of the aluminium profiles in anodized silver. Covers and base plates are in slate gray (RAL 7015) as standard. The sign information can be applied either with plotter lettering, paper inlays or digital printing.



Sign size	Information area	Art. No.	Art. No.		
height x width mm	height x width in mm	non-illuminated	illuminated		
1500 x 380	1500 x 297 (DIN A4 horz)	i 2121			
1800 x 500	1800 x 240 (DIN A3 horz)	i 2120	i 2123 *		
2000 x 675	2000 x 594 (DIN A2 horz)	i 2119	i 2124 *		

* Included in the delivery: information panels made of acrylic opal white und 1 running LED – light display incl. plug.

The delivery is in the form of a construction kit. A detailed assembly instruction is included in the delivery.

Special sizes on request.

Frankfurt Directory for suspending from the ceiling

for sign information on both sides, including two 1.5 m steel cords and press-on lugs



Sign size	Information area	Art. No.	
height x width in mm	height x width in mm		
155 x 297	143 x 297	i 2140	
155 x 600	143 x 600	i 2141	

Accessories		Art. No.	
Automatic unit	(instead of hooks)	i 7732 *	

* Two automatic units are required per sign. The automatic unit is described on page 93.

Installation and sign information

The sign can be fastened to the ceiling either with conventional hooks or an automatic ceiling fastening system. The automatic device permits the sign to be adjusted retroactively so that if it is not straight or there are any differences in the length of the cord, these can be corrected with ease.



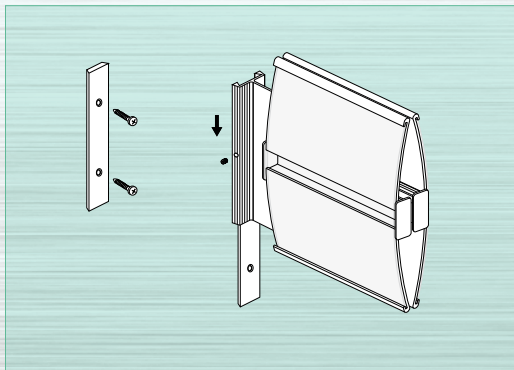
Frankfurt Directory for projecting

for sign information on both sides, including adapter.



Sign size	Information area	Art. No.	
height x width in mm	height x width in mm		
155 x 148	155 x 143	i 2150	

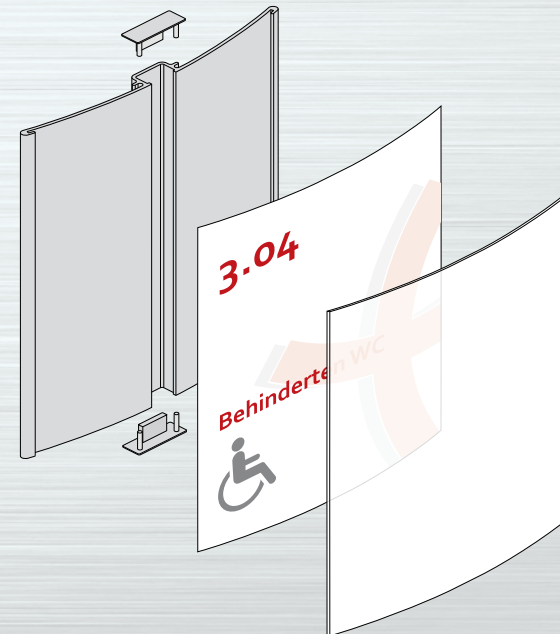
Installation and sign information



The adapter consists of a mounting base profile and an adapter profile in anodized silver. The base profile is attached to the wall using two screws*. A grub screw at the side secures the slid over adapter, on which the signs are attached on both sides.

* Assembly material for wall mounting (screws and dowels) not included in delivery.

Frankfurt Door Sign / Directory for wall mounting

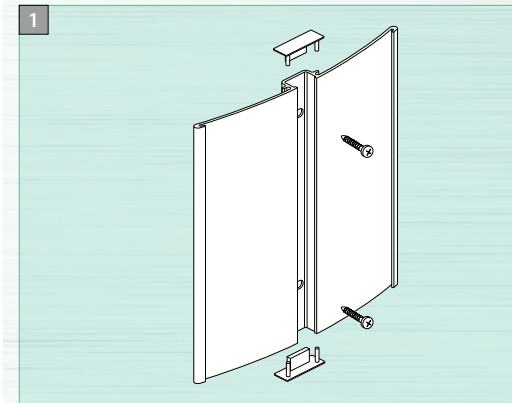


Sign size	Information area	Art. No.		
height x width in mm	height x width in mm			
120 x 120	120 x 108,5	i 2100		
148 x 120 DIN A6	148 x 108,5	i 2115		
148 x 120 DIN A6	148 x 108,5	i 2115ex *		
148 x 155	148 x 143	i 2148		
148 x 155	148 x 143	i 2148ex *		
210 x 155 DIN A5	210 x 143	i 2105		
297 x 230 DIN A4 portrait	297 x 201,5	i 2104		
210 x 317 DIN A4 landscape	210 x 289,5	i 2114		
420 x 317 DIN A3 portrait	420 x 289,5	i 2103		
297 x 440 DIN A3 landscape	297 x 401,5	i 2113		
594 x 441,5 DIN A2	584 x 401,5	i 2102		

* Without gray plastic caps.

Special sizes on request: Please note that only the height of the profile is flexible; no special widths possible.

Installation



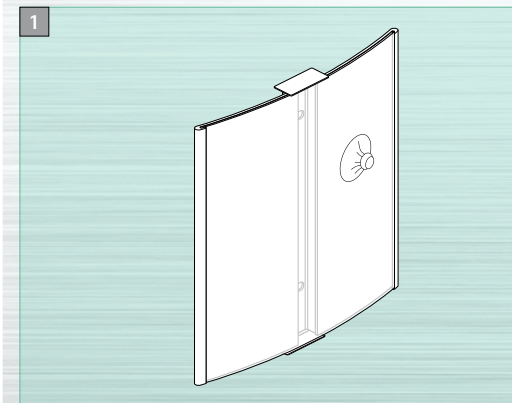
If the caps are not fixed to the sign yet, insert them into the profile at the top and bottom. Make sure that the guide pins don't tilt. For wall mounting and putting in or taking out the sign information you do not need to remove the caps. The doorplate or signpost is attached to the wall with two screws*.



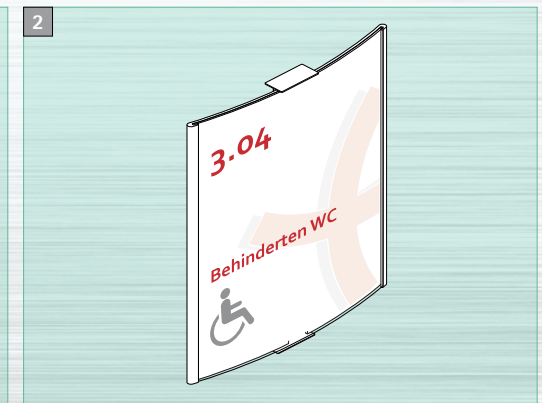
Insert the printed paper inlay and then insert the cover in one side of the door sign before closing the door sign by pressing the cap on the opposite side into the profile.

* Assembly material for wall mounting (screws and dowels) not included in delivery.

Inserting the sign information



Remove the PVC cover by pressing the supplied suction cap onto the panel and pulling the cover towards you.



Now you can insert the printed paper inlay and then insert the cover in one side of the door sign before closing the door sign by pressing the cap on the opposite side into the profile.

Universal display „free | engaged“

Multitalent & all-rounder – the universal free | engaged display can be used in various situations: on flat or convex signs (in all formats), on table displays, confidentiality displays or simply directly on the door.

Technical data:

The main body is made of transparent PMMA (format 46 x 46 x 5 mm). Switching between “free” or “engaged” is a simple matter of turning over the red or green surface. Delivery includes adhesive dots.



Name	Art. No.		
Universal display free engaged	i universalfb		

Frankfurt Paper inlays, sign information und accessories

Paper inlays *	Sign information	Art. No.	Art. No.	UP		
Format height x width in mm		gray-white RAL 9002	silver			
119,5 x 114,5	for Door sign	i 2100 - 100P **		10 items		
		i 2100 - 0P **	i 2100 - 0SP **	50 items		
147,5 x 114,5	for Door sign and Table-top sign	i 2115 - 100P **		10 items		
		i 2115 - 0P **	i 2115 - 0SP **	50 items		
147,5 x 149	for Door sign	i 2148 - 100P **		10 items		
		i 2148 - 0P **	i 2148 - 0SP **	50 items		
209,5 x 149	for Door sign	i 2105 - 100P **		10 items		
		i 2105 - 0P **	i 2105 - 0SP **	50 items		
149 x 296,5	for Ceiling suspension	i 2130 - 0P		10 items		
296,5 x 209,5	for DIN A4	i 2104 - 0P	i 2104 - 0SP	10 items		
419,5 x 296,5	for DIN A3	i 2103 - 0P	i 2103 - 0SP	5 items		

* Paper inlays are supplied in gray-white RAL 9002 or silver, blank for self-printing with laser or inkjet printers.

** Punched on DIN A4 sheet.

Accessories / Pictograms	Dim. in mm	Art. No.	
Design templates incl. Pictograms and free installation file „Inkscape“		i vorlagen	
Pictograms, design Otl Aicher, single-color on white paper	147,5 x 114,5		
	147,5 x 149		
Emergency / Fire safety symbols (Laser-printed on white paper)	147,5 x 149		
	147,5 x 296,5		
Emergency / Fire safety symbols, photoluminescent	147,5 x 149		
	147,5 x 296,5		



Extract from a wide range. For further Otl Aicher pictograms, please refer to page 94 onwards. For a selection of Emergency / Fire safety symbols, please refer to www.moedel.de. For sign information in Braille / tactile lettering, please refer to page 92 onwards.





Schilderfabrikation Moedel GmbH

➔ Warnen-Sichern-Kennzeichen

➔ Digitaldruck - Siebdruck

Werk I

August-Borsig-Straße 1

Industriegebiet Nord

D-92224 Amberg

➔ Leit- und Orientierungssysteme

Werk II

Wernher-von-Braun-Straße 13

Industriegebiet Nord

D-92224 Amberg

Postfach 1755

D-92207 Amberg

Telefon +49/9621/605-0

Telefax +49/9621/605-145

E-Mail amberg@moedel.de

Web www.moedel.de

Niederlassung Berlin

Danziger Straße 64

10435 Berlin

Telefon +49/30/44 34 09 56

Telefax +49/30/44 34 09 57

E-Mail berlin@moedel.de