



Technical  
Information

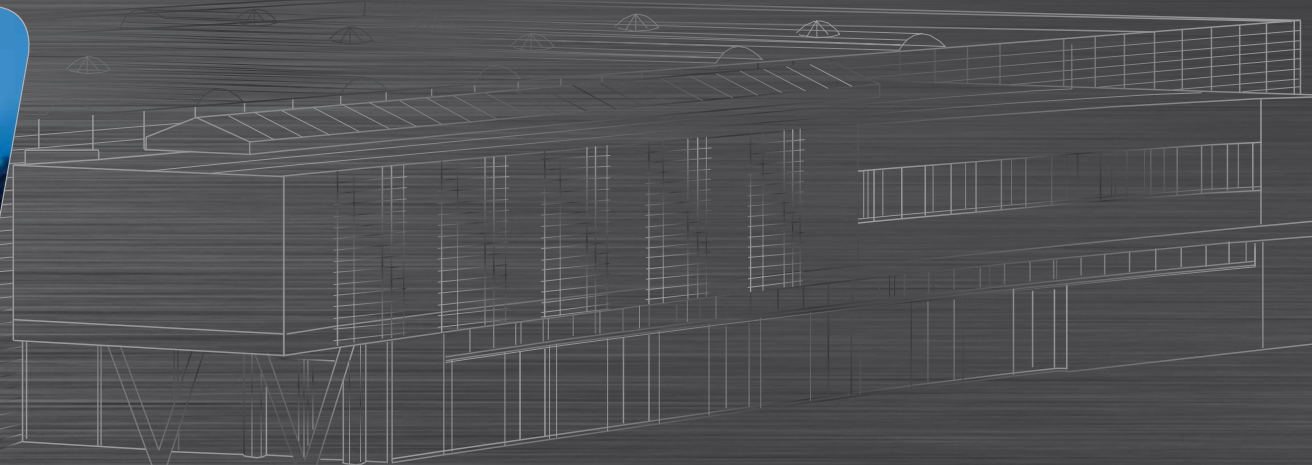


*find your way*



Leit- und Orientierungssysteme vermitteln einen ersten - oft entscheidenden - Eindruck und sind wichtiger Ausdruck der Kundenfreundlichkeit. Abgestimmt auf die Architektur und die spezifischen Anforderungen des Gebäudes sind sie wesentlicher Bestandteil der Corporate Identity und spiegeln - hochwertig, durchdacht, konsequent in Form und Funktion - Selbstverständnis und Identität eines Unternehmens, einer Institution oder einer Behörde wider. Erst durch viele funktionale und gestalterische Details und hohe Qualitätsstandards wird aus einem Wegweiser oder Schild ein ausgereiftes Orientierungs- und Leitsystem. Bei der Entwicklung der Orientierungs- und Leitsysteme berücksichtigt moedel konsequent die hohen Anforderungen von Planern und Kunden. In die Entwicklung und Herstellung der unterschiedlichen Systeme fließt die über 30-jährige Erfahrung in der Produktion von Siebdruckerzeugnissen ein. 90 qualifizierte Mitarbeiterinnen und Mitarbeiter erarbeiten auf 2 Werksgeländen mit insgesamt 15.000 m<sup>2</sup> nahe Amberg nach zertifizierten Fertigungsabläufen (DIN EN ISO 9001) Produkte von höchster Präzision, Perfektion und Beständigkeit.

*Information and orientation systems often provide that all-important first impression while giving vital expressions of customer-friendliness at the same time. Carefully coordinated with the architecture and the specific requirements of the building they form an essential part of corporate identity, reflecting the image and identity of the company, institution or public authority. High quality, well conceived and rigorous in both form and function. It takes great attention to functional and design details, along with high quality standards, to turn a sign or guide into an optimized information and orientation system, moedel rigorously meets the high requirements of planners and customers in the development of information and orientation systems, drawing on over 30 years of experience in the production of screen print products to develop and produce a diversity of systems. A team of 90 employees work at two factory premises (together 15.000 m<sup>2</sup>) near Amberg, where certified production processes (DIN EN ISO 9001) turn out products of the highest precision, perfection and durability.*



## Rio Outdoor stands

An elegant way to welcome your guests - the Rio outdoor stand captivates with its design and aesthetics.

### Technical data:

The base body consists of silver-anodized aluminium frame, which is cut to mitre and connected with angles in the inside. Additional connecting profiles in the inside arrange the necessary stability and serve the sign panel (composite aluminium, stainless steel finish) as enforcement. The overall depth is 80 mm.

The standard means of installation is on side posts lengthened by 500 mm (steel 60 x 60 mm). Information about foundation plan and statics can be found on page 96.



Sign size	Information area	Art. No.		
height x width x depth in mm	height x width in mm			
<b>Portrait = vertical brushing</b>				
2000 x 730 x 80	1997,5 x 725,5	i 92outdoor2000.730		
2500 x 730 x 80	2497,5 x 725,5	i 92outdoor2500.730		
3000 x 730 x 80	2997,5 x 725,5	i 92outdoor3000.730		
2000 x 1000 x 80	1997,5 x 995,5	i 92outdoor2000.1000		
2500 x 1000 x 80	2497,5 x 995,5	i 92outdoor2500.1000		
3000 x 1000 x 80	2997,5 x 995,5	i 92outdoor3000.1000		
2000 x 1250 x 80	1997,5 x 1245,5	i 92outdoor2000.1250		
2500 x 1250 x 80	2497,5 x 1245,5	i 92outdoor2500.1250		
3000 x 1250 x 80	2997,5 x 1245,5	i 92outdoor3000.1250		
3750 x 1250 x 80 *	3747,5 x 1245,5	i 92outdoor3750.1250		
<b>Landscape = horizontal brushing</b>				
1250 x 1800 x 80	1247,5 x 1795,5	i 92outdoor1250.1800		
1250 x 2000 x 80	1247,5 x 1995,5	i 92outdoor1250.2000		
1250 x 2500 x 80	1247,5 x 2495,5	i 92outdoor1250.2500		
1250 x 3000 x 80	1247,5 x 2995,5	i 92outdoor1250.3000		

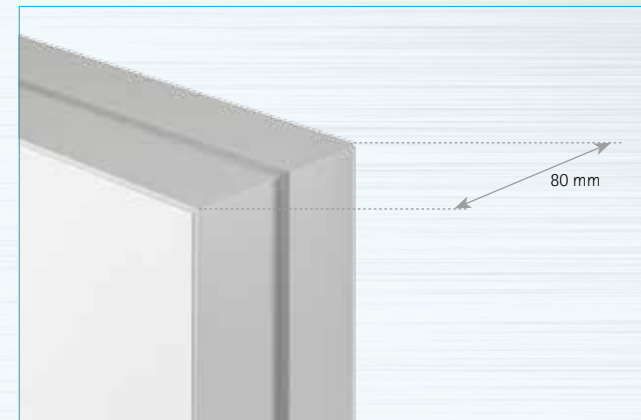
\* Lettering area is separated.

Special sizes on request.

Special colors on request.

Accessories	Format	Art. No.		
Base plate (steel)	250 x 250 x 10 mm	i 92bopla		

## Rio Outdoor stands



Detailed view

## Rio Ground-mounted spotlights

**NEW**



For outdoor use, incl. Illuminant. Please have a look on page 90 for detailed information.

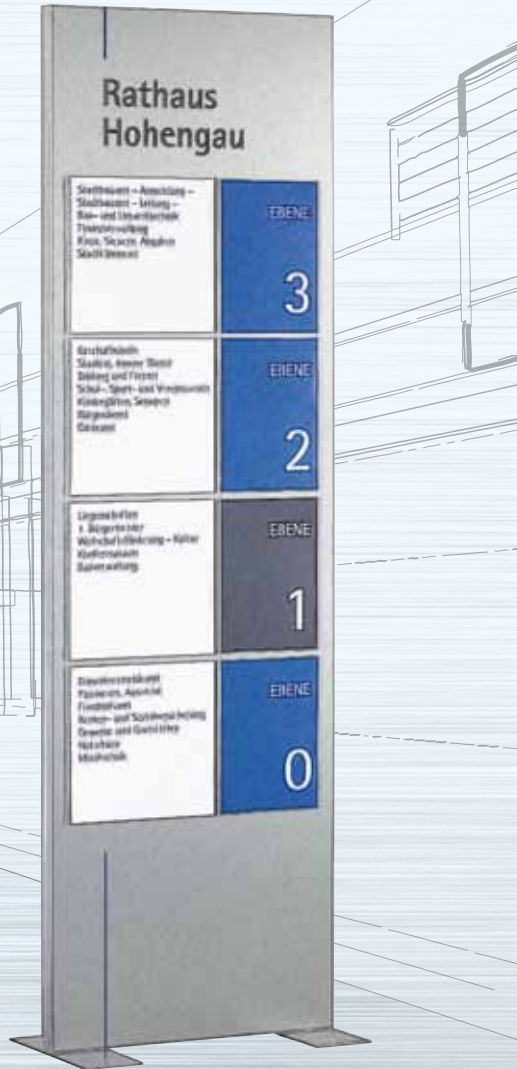
Name	visible format	installation depth	up to the height of	output	Art. No.	
	in mm	in mm				
swivelling floodlights „circle 1“	Ø 215	225	2 m	75 W	i leucht1	
asymmetrical floodlights „circle 2“	Ø 265	220	3 m	70 W	i leucht2	
asymmetrical floodlights „square“	120 x 1000	110	2 m	21 W	i leucht3	
swivelling ground spotlight „flexi“	Ø 250	-	2,5 m	70 W	i leucht4	
spike for the spotlight	l 250	250	-	-	i spieß	

## Rio Indoor stands

Mobility and flexibility are the attributes of the Rio indoor stands. The sign information can be applied flexibly on both sides by means of graphic text or paper with fitted exchanger modules\*.

### Technical data:

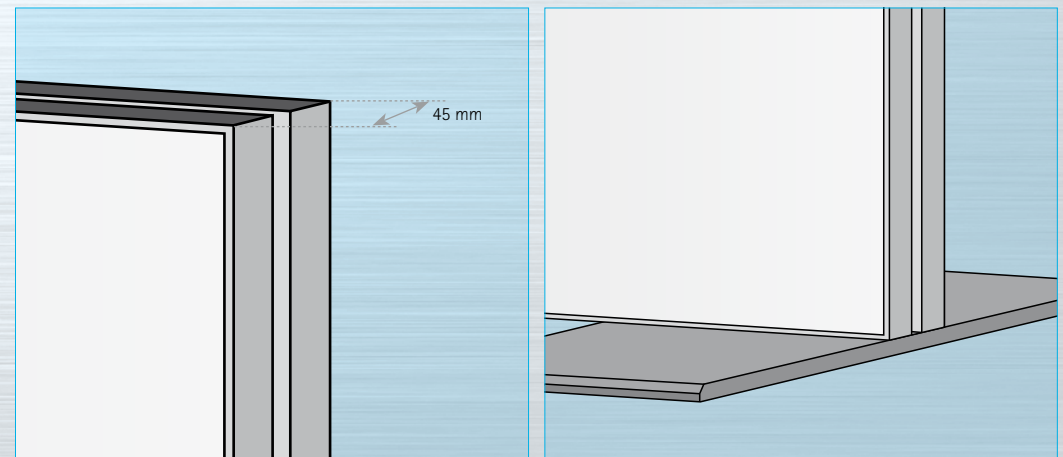
The base body consists of silver-anodized aluminium frame, which is cut to mitre and connected with angles in the inside. Justified composite aluminium panels (3 mm) in stainless steel finish serve double-sided as sign panels. For mobile application we supply base plates (350 x 120 x 6 mm in RAL 9007), which are screwed edge to edge. The overall depth is 45 mm.



Sign size	Information area	Art. No.		
height x width x depth in mm	height x width in mm			
1800 x 450 x 45	1795,5 x 445,5	i 92stele1800.450		
2000 x 600 x 45	1995,5 x 595,5	i 92stele2000.600		
2000 x 730 x 45	1995,5 x 725,5	i 92stele2000.730		

\* Please send us a scale assembly drawing, taking into account that a gap of at least 5 mm between the exchangeable panels is required to be able to actuate the adjusting clips. For exchangeable panels please refer to page 29.

Special sizes on request.





The sign information is applied directly to the area for information using self-adhesive foil letters, digital printing or Emergency / Fire safety symbols.

#### Technical data:

The base panel is comprised of a surrounding silver anodized aluminium frame with angle brackets inside, covered on both sides with vertically brushed composite panels (3 mm) in stainless steel optics. The overall depth is 16 mm. Delivery includes two 1.5 m steel cords and press-on lugs.

## Rio Directory for suspending from the ceiling - non paperflexible

Sign size	Information area	Art. No.		
height x width x depth in mm	height x width in mm			
150 x 650 x 16	147,5 x 647,5	i 92hänger150.650		
150 x 850 x 16	147,5 x 847,5	i 92hänger150.850		
150 x 1000 x 16	147,5 x 997,5	i 92hänger150.1000		
150 x 1250 x 16	147,5 x 1247,5	i 92hänger150.1250		
250 x 650 x 16	247,5 x 647,5	i 92hänger250.650		
250 x 850 x 16	247,5 x 847,5	i 92hänger250.850		
250 x 1000 x 16	247,5 x 997,5	i 92hänger250.1000		
250 x 1250 x 16	247,5 x 1247,5	i 92hänger250.1250		

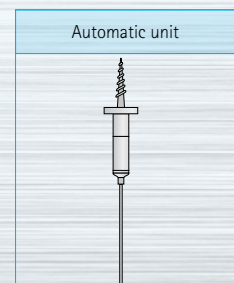
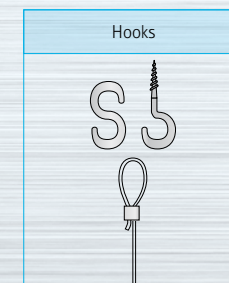
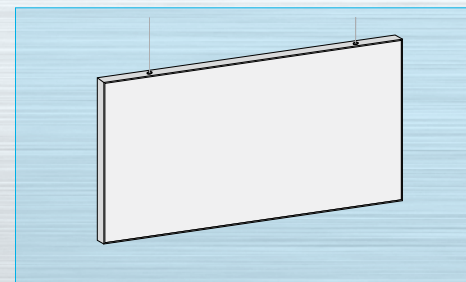
Special sizes on request.

Accessories		Art. No.		
Automatic unit	(instead of hooks)	i 7732 **		

\*\* Two automatic units are required per sign. The automatic unit is described on page 93.

### Installation and sign information

The sign can be fastened to the ceiling either with conventional hooks or an automatic ceiling fastening system. The automatic device permits the sign to be adjusted retroactively so that if it is not straight or there are any differences in the length of the cord, these can be corrected with ease.



## Rio Directory for suspending from the ceiling - paperflexible

For sign information on both sides (e.g. with safety symbols or paper inlays), including two 1.5 m steel cords and press-on lugs.



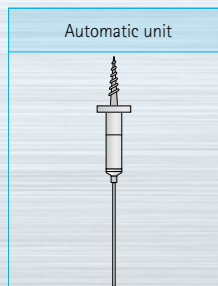
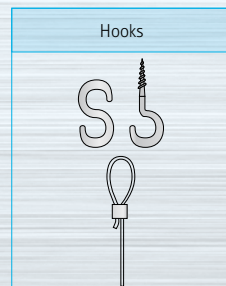
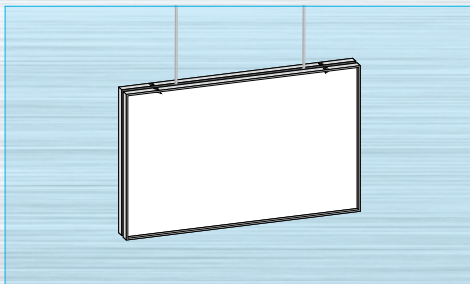
Sign size	Information area	Art. No.	
height x width in mm	height x width in mm		
149,5 x 299,0	147,5 x 296,5	i 9240	

Accessories		Art. No.	
Automatic unit	(instead of hooks)	i 7732 **	

\*\* Two automatic units are required per sign. The automatic unit is described on page 93.

### Installation and sign information

Like the door sign and the Directory sign, you produce the sign information for the Rio suspended sign yourself on the computer using a paper inlay. In addition, it is ideally suitable for safety signs. The sign can be fastened to the ceiling either with conventional hooks or an automatic ceiling fastening system. The automatic device permits the sign to be adjusted retroactively so that if it is not straight or there are any differences in the length of the cord, these can be corrected with ease.



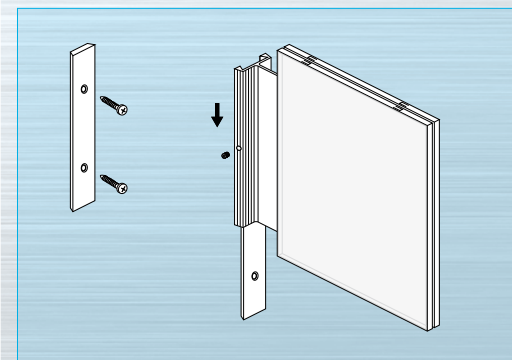
## Rio Directory for projecting

For sign information on both sides (e.g. with safety symbols or paper inlays).



Sign size	Information area	Art. No.	
height x width in mm	height x width in mm		
149,5 x 149,5	147,5 x 147,5	i 9222	
149,5 x 299,0	147,5 x 296,5	i 9220	

### Installation and sign information



The adapter consists of a mounting base profile and an adapter profile in anodized silver. The base profile is attached to the wall using two screws\*. A grub screw at the side secures the slid-over adapter, on which the signs are attached on both sides.

\* Assembly material for wall mounting (screws and dowels) not included in delivery.



## Rio Door Sign / Directory for wall mounting

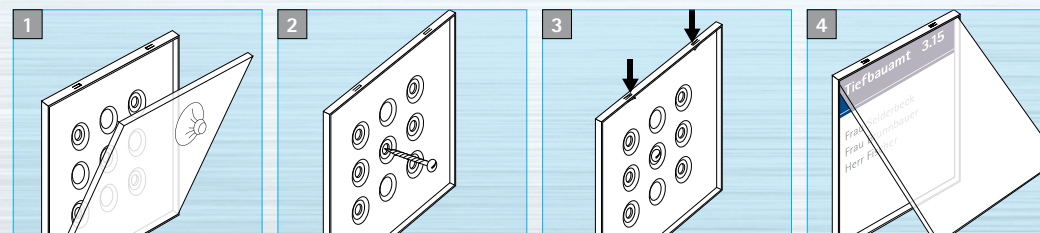
"Reduced to the essentials" - timeless and discrete "Rio" offers the right (stainless steel) frame for information and markings. Two flaps at the side inside the basic sign hold the non-reflecting cover in place and it can only be removed with a suction pad.

### Technical data:

The base troughs made of 2VA (1mm) are set at an angle using a multi-tool, thereby attaining an optimum fit accuracy of the cover with the sign base.

Sign size		Information area	Art. No.
height x width in mm		height x width in mm	
74,75 x 149,5	Door sign 75	72,75 x 147,5	i 9201
149,5 x 107	DIN A6	147,5 x 105	i 9206
149,5 x 149,5	Door sign 150	147,5 x 147,5	i 9200
149,5 x 212	DIN A5	147,5 x 209,5	i 9205
182 x 182	Door sign 182	179,5 x 179,5	i 92180
149,5 x 299	Safety signs	147,5 x 296,5	i 9230
299 x 212	DIN A4	296,5 x 209,5	i 9204
299 x 299	Directory 299	296,5 x 296,5	i 92297
424 x 299	DIN A3	421,5 x 296,5	i 9203

### Installation



1 Remove the acrylic panel (PMMA) with the help of the suction cap. Then fix the base sign to the wall with the two self-adhesive spots on the back.

2 After inserting the dowels\*, fix the door sign using two screws (you may need just one screw if the wall is suitable).

3 To ensure that the acrylic panel is securely held, press in the two adjusting clips at the top of the base sign lightly.

4 When you insert the acrylic panel again, slide it in at the top first and press firmly against the adjusting clips. Then press it in firmly against the opposite side, i.e. the bottom.

\* Assembly material for wall mounting (screws and dowels) not included in delivery.



## Rio Main Directory / Outdoor sign for wall mounting

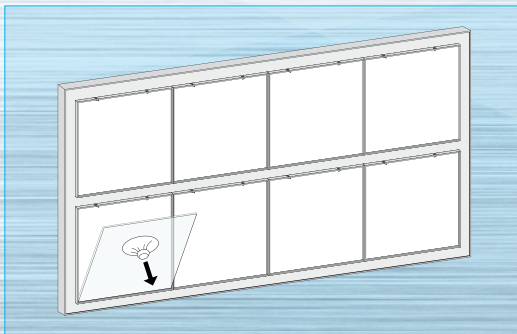
The Rio main directory permits individual combinations of different sizes and types of sign. It comes in a slim-line and elegant design for the presentation of information on large surfaces. The sign information can be applied directly to the base panel, and to enable information to be exchanged quickly, exchanger modules offer the ideal solution.

To be able to produce the Rio main directory we require a sketch of the proposed guide. Please note that a gap of at least 5mm must be allowed between the exchanger modules to be able to actuate the adjusting clips.

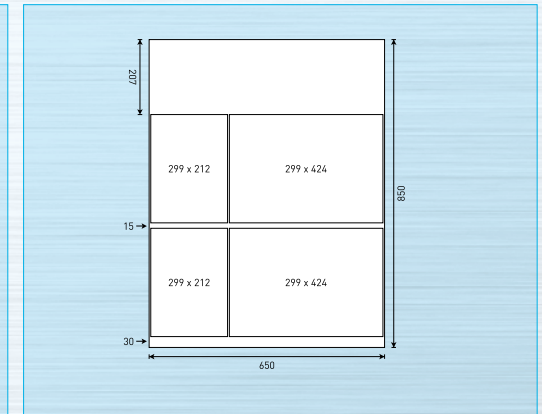
### Technical data:

The basic structure is comprised of a surrounding silver anodized aluminium frame with angle brackets inside. It has keyholes on the back for wall mounting. The information panel itself is a 3.0 mm composite panel in stainless steel optics at the front (vertical brushing). The overall depth is 16 mm.

On request the information signs can be supplied with concealed anti-removal guards.



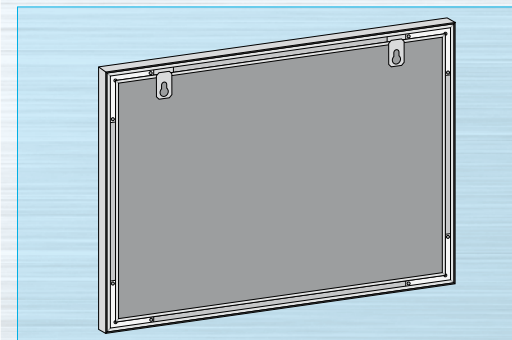
## Design example for main directory



The above design example is comprised of the following:  
 1 x Main Directory, size 850 x 650 mm (i 92wand850.650)  
 2 x Rio Directory, size 299 x 212 mm DIN A4 (i 9204)  
 2 x Rio Directory, size 299 x 424 mm DIN A3 (i 9203)

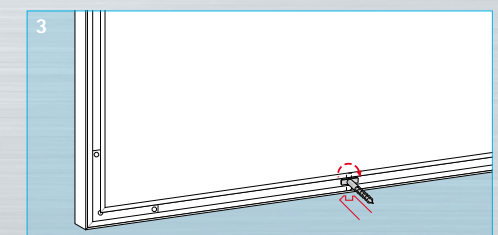
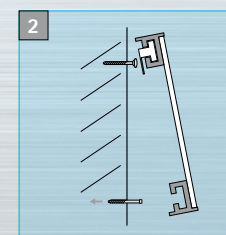
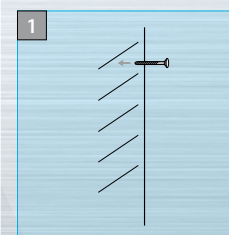
To be able to produce the Rio main directory we require a sketch of the proposed guide.  
 Please note that a gap of at least 5 mm must be allowed to be able to actuate the adjusting clips.

## Installation of the main directory / outdoor sign



- 1 The unit is installed by screwing two screws\* to the wall through the keyholes. The sign is then hung on the screws.
- 2 The optional available locking device is installed by mounting the screw right in the centre of the frame (9,5 mm from bottom edge).
- 3 After the sign is hung the screw locking device is tightened with the special key.

\* Assembly material for wall mounting (screws and dowels) not included in delivery.



## Rio Main Directory / Outdoor sign for wall mounting

Sign size	Information area	Art. No.		
height x width x depth in mm	height x width in mm			
450 x 450 x 16	447,5 x 447,5	i 92wand450.450		
450 x 650 x 16	447,5 x 647,5	i 92wand450.650		
450 x 850 x 16	447,5 x 847,5	i 92wand450.850		
450 x 1000 x 16	447,5 x 997,5	i 92wand450.1000		
450 x 1250 x 16	447,5 x 1247,5	i 92wand450.1250		
650 x 450 x 16	647,5 x 447,5	i 92wand650.450		
650 x 650 x 16	647,5 x 647,5	i 92wand650.650		
650 x 850 x 16	647,5 x 847,5	i 92wand650.850		
650 x 1000 x 16	647,5 x 997,5	i 92wand650.1000		
650 x 1250 x 16	647,5 x 1247,5	i 92wand650.1250		
850 x 450 x 16	847,5 x 447,5	i 92wand850.450		
850 x 650 x 16	847,5 x 647,5	i 92wand850.650		
850 x 850 x 16	847,5 x 847,5	i 92wand850.850		
850 x 1000 x 16	847,5 x 997,5	i 92wand850.1000		
850 x 1250 x 16	847,5 x 1247,5	i 92wand850.1250		

Sign size	Information area	Art. No.		
height x width x depth in mm	height x width in mm			
1000 x 450 x 16	997,5 x 447,5	i 92wand1000.450		
1000 x 650 x 16	997,5 x 647,5	i 92wand1000.650		
1000 x 850 x 16	997,5 x 847,5	i 92wand1000.850		
1000 x 1000 x 16	997,5 x 997,5	i 92wand1000.1000		
1000 x 1250 x 16	997,5 x 1247,5	i 92wand1000.1250		
1250 x 450 x 16	1247,5 x 447,5	i 92wand1250.450		
1250 x 650 x 16	1247,5 x 647,5	i 92wand1250.650		
1250 x 850 x 16	1247,5 x 847,5	i 92wand1250.850		
1250 x 1000 x 16	1247,5 x 997,5	i 92wand1250.1000		
1250 x 1250 x 16	1247,5 x 1247,5	i 92wand1250.1250		

Exchangeable modules see page 29.

Special sizes on request.



## Accessories



special screw locking device  
key for locking device

## Art. No.

i wandschloss  
i wandschlüssel

## Rio Table-top sign

mounted on an stainless steel angle



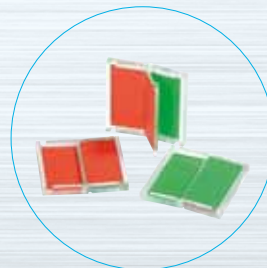
Sign size	Information area	Art. No.
height x width in mm	height x width in mm	
74,75 x 149,5	72,75 x 147,5	i 9210

## Universal display „free | engaged“

Multitalent & all-rounder – the universal free | engaged display can be used in various situations: on flat or convex signs (in all formats), on table displays, confidentiality displays or simply directly on the door.

### Technical data:

The main body is made of transparent PMMA (format 46 x 46 x 5 mm). Switching between “free” or “engaged” is a simple matter of turning over the red or green surface. Delivery includes adhesive dots.



Name	Art. No.
Universal display free   engaged	i universalfb

## Rio Paper inlays, sign information and accessories

Paper inlays *		Unit pack	Art. No.	Art. No.
Format height x width in mm			pure white	silver
72,75 x 147,5		10 items	i 9201 - 100P **	
		50 items	i 9201 - 0P **	i 9201 - OSP **
147,5 x 105	for DIN A6	10 items	i 9206 - 100P **	
		50 items	i 9206 - 0P **	i 9206 - OSP **
147,5 x 147,5		10 items	i 9200 - 100P **	
		50 items	i 9200 - 0P **	i 9200 - OSP **
147,5 x 209,5	for DIN A5	10 items	i 9205 - 100P **	
		50 items	i 9205 - 0P **	i 9205 - OSP **
179,5 x 179,5		10 items	i 92180 - 100P **	
		50 items	i 92180 - 0P **	i 92180 - OSP *
147,5 x 296,5	for safety signs	10 items	i 9230 - 0P **	i 9230 - OSP **
296,5 x 296,5		5 items	i 92297 - 0P	i 92297 - OSP
296,5 x 209,5	for DIN A4	10 items	i 9204 - 0P	i 9204 - OSP
421,5 x 296,5	for DIN A3	5 items	i 9203 - 0P	i 9203 - OSP

\* Paper inlays are supplied in pure white or silver, blank for self-printing with laser or inkjet printers.

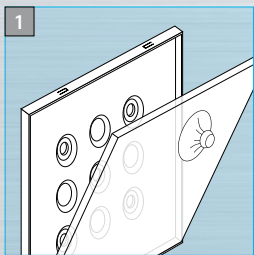
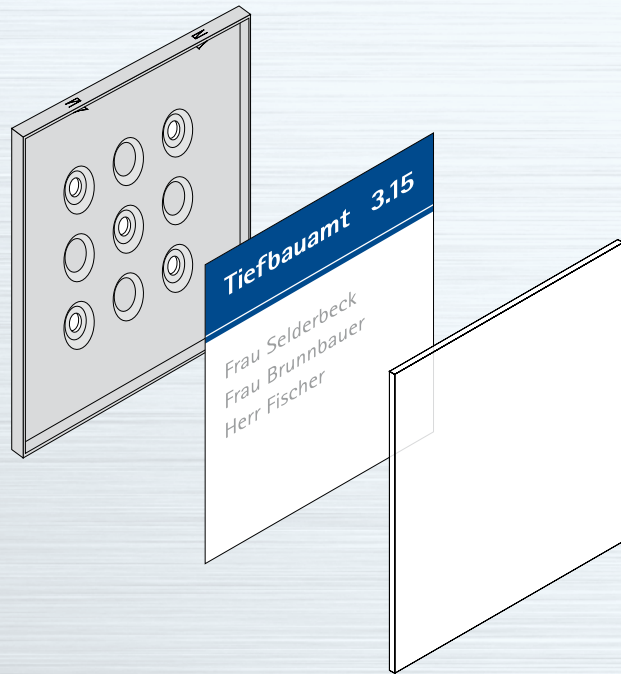
\*\* Punched on DIN A4 sheet.

Accessories / Pictograms	Dim. in mm	Art. No.
Design templates incl. Pictograms and free installation file „Inkscape“		i vorlagen
Pictograms, design Otl Aicher, single-color on white paper	144 x 105	
	144 x 144	
Emergency / Fire safety symbols (Laser-printed on white paper)	144 x 144	
	147,5 x 296,5	
Emergency / Fire safety symbols, photoluminescent	147,5 x 147,5	
	147,5 x 296,5	

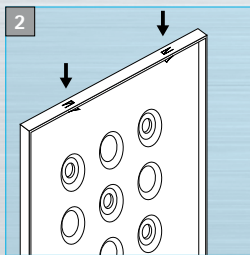


Extract from a wide range. For further Otl Aicher pictograms, please refer to page 94 onwards. For a selection of Emergency / Fire safety symbols, please refer to www.moedel.de. For sign information in Braille / tactile lettering, please refer to page 92 onwards.

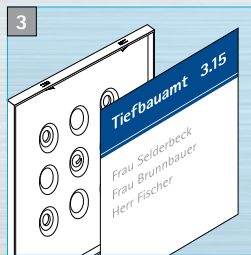
## Inserting the sign information



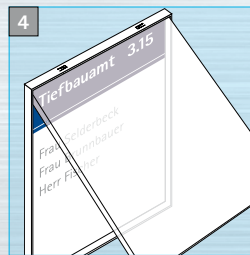
1 Remove the acrylic panel (PMMA) with the help of the suction cap.



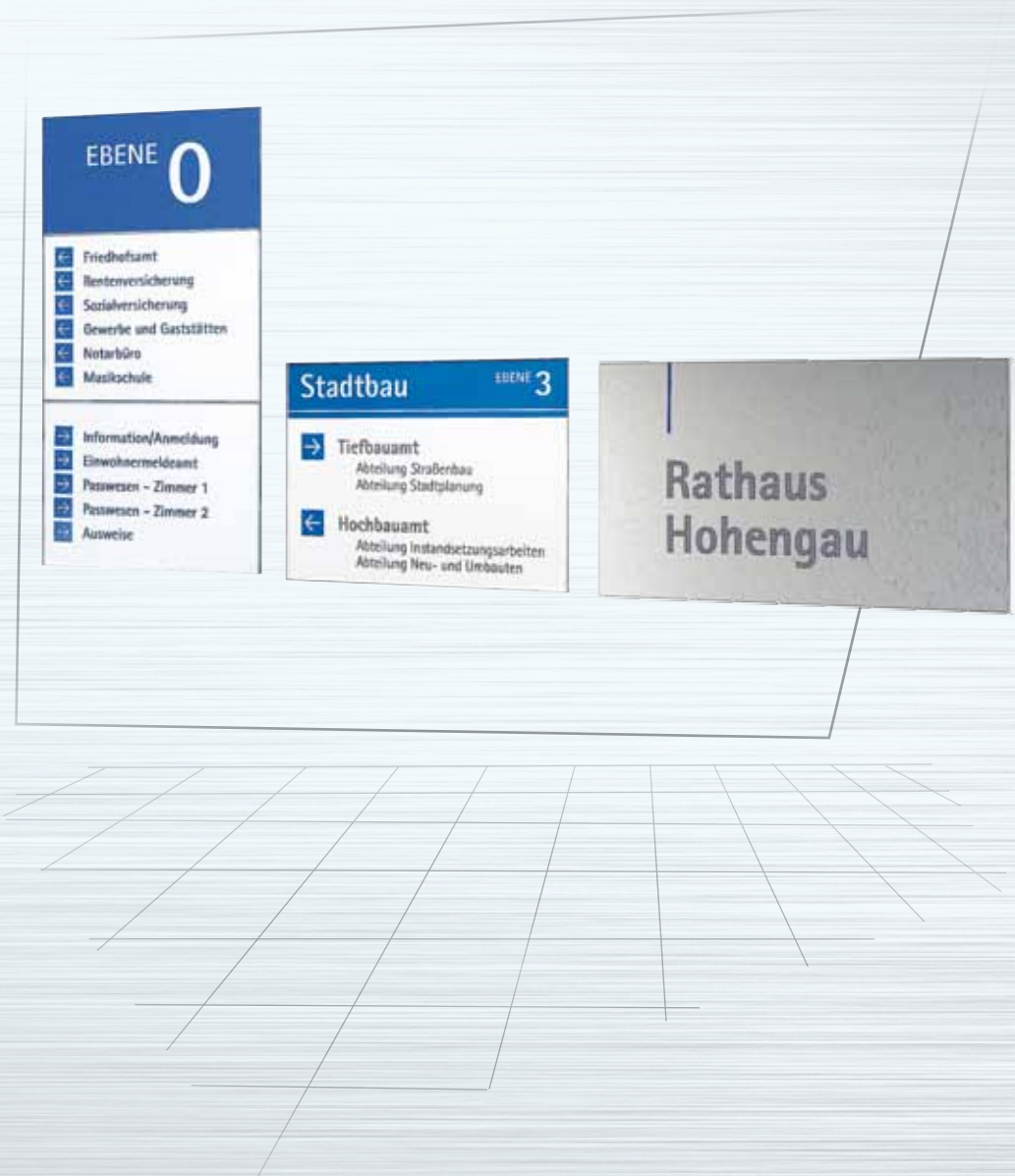
2 When you insert the paper inlay, make sure that it is pushed in under the adjusting clips.



3 To ensure that the acrylic panel is securely held, it may be necessary to press in the two adjusting clips at the top of the base panel lightly before you insert the acrylic panel again.



4 When you insert the acrylic panel again, slide it in at the top first and press firmly against the adjusting clips. Then press it in firmly against the opposite side, i.e. the bottom.





Schilderfabrikation Moedel GmbH

➔ Warnen-Sichern-Kennzeichen

➔ Digitaldruck - Siebdruck

Werk I  
August-Borsig-Straße 1  
Industriegebiet Nord  
D-92224 Amberg

➔ Leit- und Orientierungssysteme

Werk II  
Wernher-von-Braun-Straße 13  
Industriegebiet Nord  
D-92224 Amberg

Postfach 1755  
D-92207 Amberg

Telefon +49/9621/605-0  
Telefax +49/9621/605-145  
E-Mail [amberg@moedel.de](mailto:amberg@moedel.de)  
Web [www.moedel.de](http://www.moedel.de)

Niederlassung Berlin  
Danziger Straße 64  
10435 Berlin  
Telefon +49/30/44 34 09 56  
Telefax +49/30/44 34 09 57  
E-Mail [berlin@moedel.de](mailto:berlin@moedel.de)