



Technical
Information

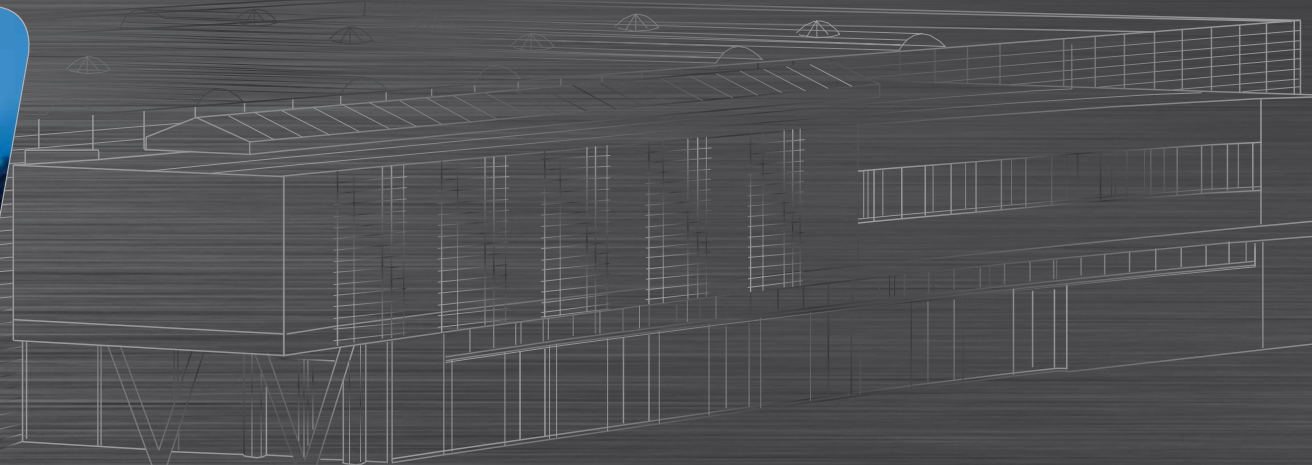


find your way



Leit- und Orientierungssysteme vermitteln einen ersten - oft entscheidenden - Eindruck und sind wichtiger Ausdruck der Kundenfreundlichkeit. Abgestimmt auf die Architektur und die spezifischen Anforderungen des Gebäudes sind sie wesentlicher Bestandteil der Corporate Identity und spiegeln - hochwertig, durchdacht, konsequent in Form und Funktion - Selbstverständnis und Identität eines Unternehmens, einer Institution oder einer Behörde wider. Erst durch viele funktionale und gestalterische Details und hohe Qualitätsstandards wird aus einem Wegweiser oder Schild ein ausgereiftes Orientierungs- und Leitsystem. Bei der Entwicklung der Orientierungs- und Leitsysteme berücksichtigt moedel konsequent die hohen Anforderungen von Planern und Kunden. In die Entwicklung und Herstellung der unterschiedlichen Systeme fließt die über 30-jährige Erfahrung in der Produktion von Siebdruckerzeugnissen ein. 90 qualifizierte Mitarbeiterinnen und Mitarbeiter erarbeiten auf 2 Werksgeländen mit insgesamt 15.000 m² nahe Amberg nach zertifizierten Fertigungsabläufen (DIN EN ISO 9001) Produkte von höchster Präzision, Perfektion und Beständigkeit.

Information and orientation systems often provide that all-important first impression while giving vital expressions of customer-friendliness at the same time. Carefully coordinated with the architecture and the specific requirements of the building they form an essential part of corporate identity, reflecting the image and identity of the company, institution or public authority. High quality, well conceived and rigorous in both form and function. It takes great attention to functional and design details, along with high quality standards, to turn a sign or guide into an optimized information and orientation system, moedel rigorously meets the high requirements of planners and customers in the development of information and orientation systems, drawing on over 30 years of experience in the production of screen print products to develop and produce a diversity of systems. A team of 90 employees work at two factory premises (together 15.000 m²) near Amberg, where certified production processes (DIN EN ISO 9001) turn out products of the highest precision, perfection and durability.





Index

Berlin	4
Orlando	16
Rio	24
Oslo	34
Galerie	38
Sydney	46
Frankfurt	50
Madrid	56
TORiNO	68
Schaukästen	74
Clip-Trick	78
Maxi / Mini	82
Maxway	86
Program	90
Information	96

Valid from July 1st 2010.
 Subject to technical change in the interests of development and minor variations in form and color.
 No liability shall be accepted for printing errors.

Berlin Basic



Post length	System groove	Format	Art. No.		
in mm	8 mm	in mm			
60 mm profile, round, silver-anodized					
1500	single	Ø 60	i 98601-1,5 *		
2000	single	Ø 60	i 98601-2 *		
2500	single	Ø 60	i 98601-2,5 *		
3000	single	Ø 60	i 98601-3 *		
1500	double, 90°	Ø 60	i 98602-1,5 *		
2000	double, 90°	Ø 60	i 98602-2 *		
2500	double, 90°	Ø 60	i 98602-2,5 *		
3000	double, 90°	Ø 60	i 98602-3 *		
90 mm profile, round, silver-anodized					
1500	single	Ø 90	i 98901-1,5 *		
2000	single	Ø 90	i 98901-2 *		
2500	single	Ø 90	i 98901-2,5 *		
3000	single	Ø 90	i 98901-3 *		
1500	double, 90°	Ø 90	i 9890290-1,5 *		
2000	double, 90°	Ø 90	i 9890290-2 *		
2500	double, 90°	Ø 90	i 9890290-2,5 *		
3000	double, 90°	Ø 90	i 9890290-3 *		
1500	double, 180°	Ø 90	i 98902180-1,5 *		
2000	double, 180°	Ø 90	i 98902180-2 *		
2500	double, 180°	Ø 90	i 98902180-2,5 *		
3000	double, 180°	Ø 90	i 98902180-3 *		
66 x 66 mm profile, square, silver-anodized					
1500	single	66 x 66	i 98661-1,5 *		
2000	single	66 x 66	i 98661-2 *		
2500	single	66 x 66	i 98661-2,5 *		
3000	single	66 x 66	i 98661-3 *		
66 x 66 mm profile, square, silver-anodized					
1500	1-4**	66 x 66	i 98664-1,5 *		
2000	1-4**	66 x 66	i 98664-2 *		
2500	1-4**	66 x 66	i 98664-2,5 *		
3000	1-4**	66 x 66	i 98664-3 *		

* Supplied silver-anodized as standard. For a painted version, please specify the desired color (e.g. RAL color) with the article number when placing the order.

** Supplied with 1 groove opened as standard. Further grooves can be opened using standard commercially available tools.

Special sizes on request.

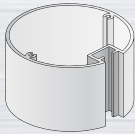
! In connection with the lengths of the post, please note that the posts have to be inserted at least 500 mm in footings or the ground. Please refer to page 96 for information relating to structural calculations and specifications for maximum sign sizes.

Profiles

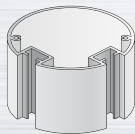
Berlin Basic round

single

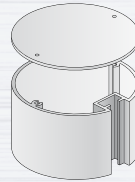
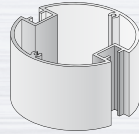
System groove 8 mm
 Ø 60 mm
 Ø 90 mm


double 90°

System groove 8 mm
 Ø 60 mm
 Ø 90 mm


double 180°

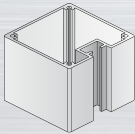
System groove 8 mm
 Ø 90 mm



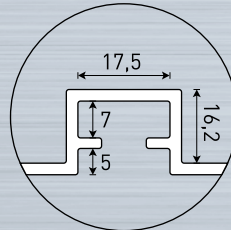
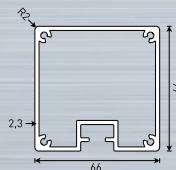
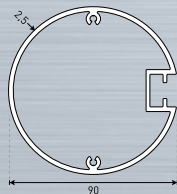
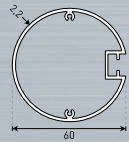
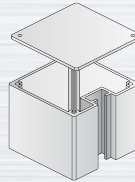
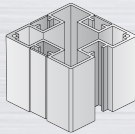
Berlin Basic square

single

System groove 8 mm
 66 x 66 mm

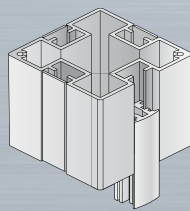
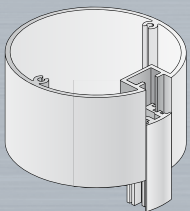

1-4

System groove 8 mm
 66 x 66 mm

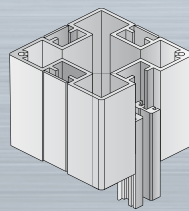
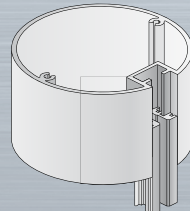
NEW


Berlin Basic Combination profile reducer cover strip 2 in 1

Use as cover strip, turned



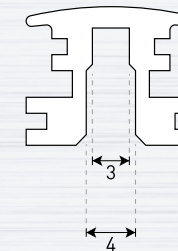
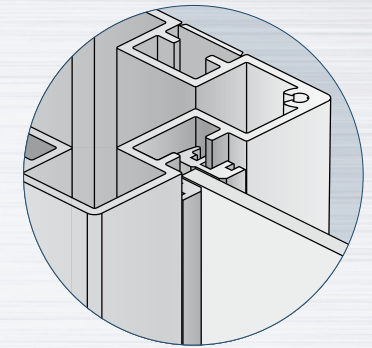
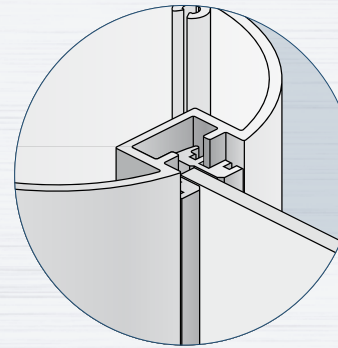
Use as reducer strip



Berlin Basic Combination profile reducer cover strip

The reducer cover strip is a silver-anodized combination profile designed for reducing the system groove to 3 or 4 mm and for covering the system groove if the strip is turned 180°. It is suitable for all Berlin Basic posts.

Use for reducing the groove to 3 or 4 mm


Profile length

in mm

 1000
 1500
 2000
 2500
 3000

Art. No.

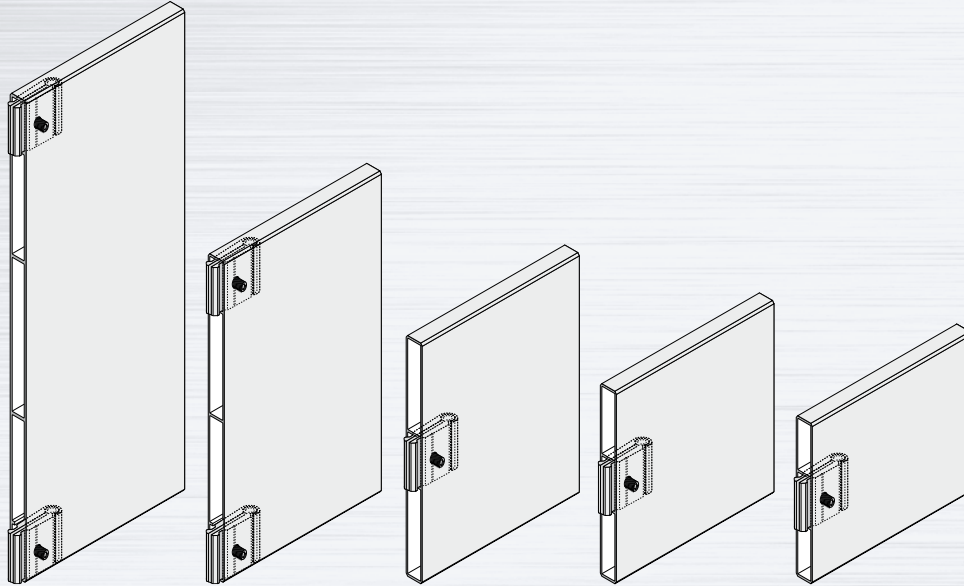
 i 98red1 *
 i 98red1,5 *
 i 98red2 *
 i 98red2,5 *
 i 98red3 *

* Supplied silver-anodized as standard. For a painted version, please specify the desired color (e.g. RAL color) with the article number when placing the order.

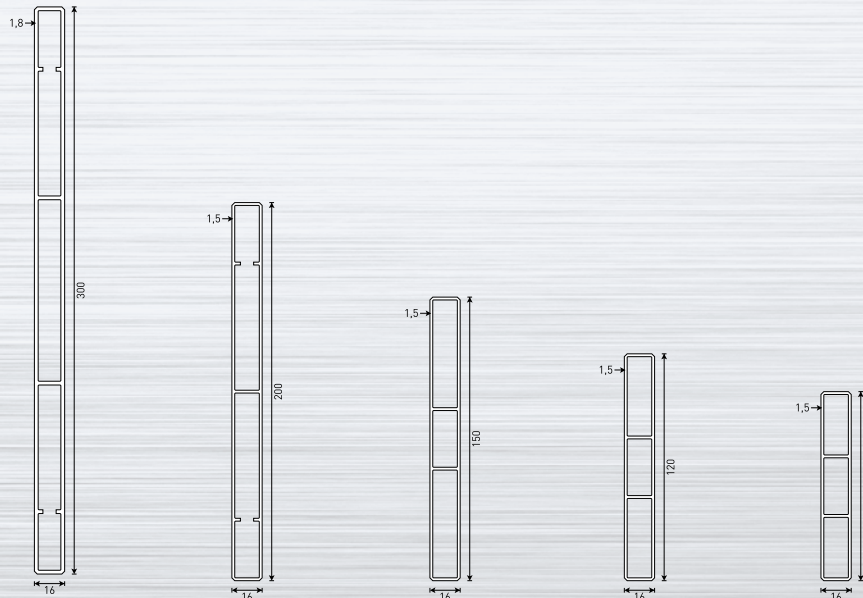
Special sizes on request.

Berlin Basic Box profile

Aluminium, with a material thickness of 15.8 mm. Usable on both sides for mounting in Berlin Basic posts. Supplied with holes, expansion fasteners and screw-head covers.



Profile height 300 mm Profile height 200 mm Profile height 150 mm Profile height 120 mm Profile height 100 mm

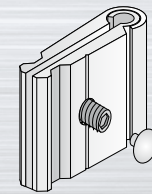


Box profile	usable display size	Expansion fastener	Art. No.		
height x width in mm	in mm				
100 x 1000	100 x 990	2 items	i 9810010 *		
100 x 1200	100 x 1190	2 items	i 9810012 *		
100 x 1500	100 x 1490	2 items	i 9810015 *		
100 x 2000	100 x 1990	2 items	i 9810020 *		
120 x 1000	120 x 990	2 items	i 9812010 *		
120 x 1200	120 x 1190	2 items	i 9812012 *		
120 x 1500	120 x 1490	2 items	i 9812015 *		
120 x 2000	120 x 1990	2 items	i 9812020 *		
150 x 1000	150 x 990	2 items	i 9815010 *		
150 x 1200	150 x 1190	2 items	i 9815012 *		
150 x 1500	150 x 1490	2 items	i 9815015 *		
150 x 2000	150 x 1990	2 items	i 9815020 *		
200 x 1000	200 x 990	4 items	i 9820010 *		
200 x 1200	200 x 1190	4 items	i 9820012 *		
200 x 1500	200 x 1490	4 items	i 9820015 *		
200 x 2000	200 x 1990	4 items	i 9820020 *		
300 x 1000	300 x 990	4 items	i 9830010 *		
300 x 1200	300 x 1190	4 items	i 9830012 *		
300 x 1500	300 x 1490	4 items	i 9830015 *		
300 x 2000	300 x 1990	4 items	i 9830020 *		

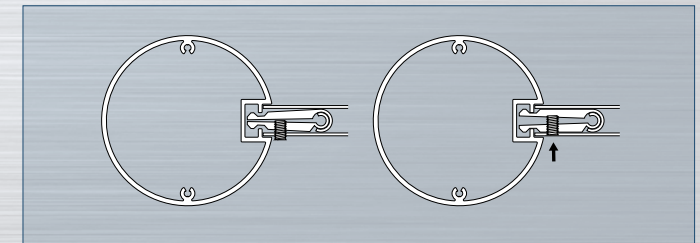
* Supplied silver-anodized as standard. For a painted version, please specify the desired color (e.g. RAL color) with the article number when placing the order.

Special sizes on request.

Functionality of expansion fasteners



Expansion fastener

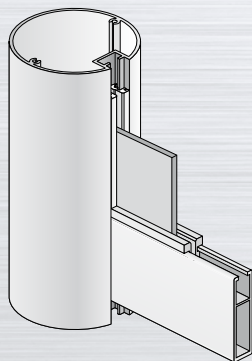


The box profiles and cross-arms are supplied with expansion fasteners for fastening to the post grooves. Position the two cavity profiles/cross-arms, which can be used on both sides, to the required position on the groove in the post and fasten by tightening the screw. Conceal the screws by fitting the screw-head covers.

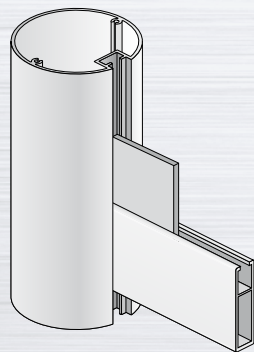
Berlin Basic Cross bar and reducer profile

Cross bar with 1 groove made of aluminium, height 46 mm, material thickness of 16 mm, with 8 mm system groove.
Cross bar with 2 grooves made of aluminium, height 60 mm, material thickness 16 mm, with 2 8 mm system grooves.
 Both supplied incl. holes, expansion fasteners and screw-head covers.

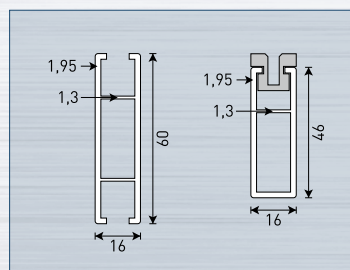
Reducer profile for cross bar made of aluminium, for reducing the system groove in the cross bar to 4 mm. For reducing the post system groove, please use the reducer cover strip i 98red... (combination profile) on page 5.



Cross bar and reducer profile
with 4 mm information panel



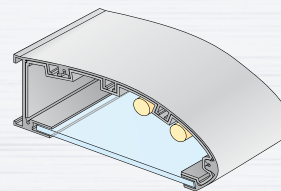
Cross bar with
8 mm information panel



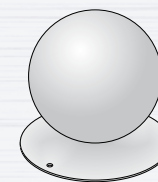
Format	usable display size	Expansion fasteners	Art. No.		
length in mm	in mm				
Cross bar with 1 groove					
46 x 1000	46 x 990	2 items	i 984610 *		
46 x 1200	46 x 1190	2 items	i 984612 *		
46 x 1500	46 x 1490	2 items	i 984615 *		
46 x 2000	46 x 1990	2 items	i 984620 *		
Cross bar with 2 grooves					
60 x 1000	60 x 990	2 items	i 98h6010 *	NEW	
60 x 1200	60 x 1190	2 items	i 98h6012 *		
60 x 1500	60 x 1490	2 items	i 98h6015 *		
60 x 2000	60 x 1990	2 items	i 98h6020 *		
Reducer profile, 4 mm for cross bar					
1000	990		i 984610-4 *		
1200	1190		i 984612-4 *		
1500	1490		i 984615-4 *		
2000	1990		i 984620-4 *		

* Supplied silver-anodized as standard. For a painted version, please specify the desired color (e.g. RAL color) with the article number when placing the order.

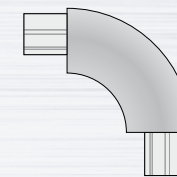
Berlin Basic Accessories



Lighting profile



Deco cap „ball“



Bow connector



Base plate

Berlin Basic Lighting profile

Puts outdoor free-standing shapely in perspective.



Technical data:

Fits to all Berlin Basic posts. Format: 52 x 150 mm (h x w). Pre-assembled on cross bar; delivery will be effected ready to mount (cable exit in the mid of the backside). Illuminants: 2 fluorescent tubes T8; The Lighting profile is splashproof.

Version	Profile length	Cross bar length	Art. No.		
	in mm	in mm			
single-sided	990	1000	i 98leuchts10 *		
	1190	1200	i 98leuchts12 *		
	1490	1500	i 98leuchts15 *		
	1990	2000	i 98leuchts20 *		
double-sided	990	1000	i 98leuchtd10 *		
	1190	1200	i 98leuchtd12 *		
	1490	1500	i 98leuchtd15 *		
	1990	2000	i 98leuchtd20 *		

* Supplied silver-anodized as standard. For a painted version, please specify the desired color (e.g. RAL color) with the article number when placing the order.

Berlin Basic Deco cap

Supplied painted in RAL 9006 as standard (hence difference in color to silver-anodized).

Post	Version / Form	Format	Art. No.		
Diameter in mm		Ø in mm			
60	ball	50	i 9850kugel		
90	ball	80	i 9880kugel		

Berlin Basic Bow connectors

Aluminium, supplied in RAL 9006 as standard (hence difference in color to silver-anodized).

Post	Version / Form	Display size	Art. No.		
Diameter in mm		height x width mm			
60	90°	115 x 115	i 9860bo		
90	90°	170 x 170	i 9890bo		

Berlin Basic Base plate



For all Berlin Basic posts. Galvanized steel Ø 140 x 8 mm incl. 3 holes Ø 13 mm. Shaft height ca. 450 mm. We advise to set the poles in concrete. We do not accept claims concerning the static in case of using base plates.

Post	Format	Art. No.	
Diameter in mm			
60 90 66 x 66 with 1 groove	Ø 140 x 8 x 450	i 98bopla	
66 x 66 with 1-4 grooves	Ø 140 x 8 x 450	i 6641bopla	

Berlin Basic Ground-mounted spotlights



For outdoor use, incl. Illuminant. Please have a look on page 90 for detailed information.



Name	visible format	installation depth	up to the height of	output	Art. No.	
	in mm	in mm				
swivelling floodlights „circle 1“	Ø 215	225	2 m	75 W	i leucht1	
asymmetrical floodlights „circle 2“	Ø 265	220	3 m	70 W	i leucht2	
asymmetrical floodlights „square“	120 x 1000	110	2 m	21 W	i leucht3	
swivelling ground spotlight „flexi“	Ø 250	-	2,5 m	70 W	i leucht4	
spike for the spotlight	l 250	250	-	-	i spieß	

All posts have certification from an independent engineer's practice of positive results in structural tests. Details and foundations plans can be found on page 96.



Berlin Basic Example of application 1

i 98601-2	2 x	post Ø 60 mm; single groove; length 2000 m
i 98601-1,5	1 x	post Ø 60 mm; single groove; length 1077 mm (shortened)
i 9830012	1 x	box profile 300 x 1200 mm incl. expansion fasteners
i 9820012	2 x	box profile 200 x 1200 mm incl. expansion fasteners
i 9860bo	2 x	bow connectors
i 98red-1,5	2 x	combination profile 1300 mm, used as cover strips (2 items à 1500 mm for self-cutting-to-size)

This is how to calculate the length of the post cross bar:

- » for post Ø 60 mm: total panel width - 125 mm = length of the post cross bar
- » for post Ø 90 mm: total panel width - 165 mm = length of the post cross bar

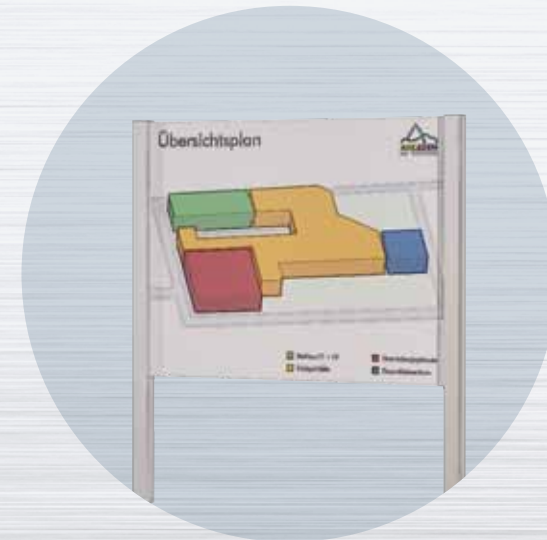


Berlin Basic Example of application 2

i 98661-1,5	2 x	post 66 x 66 mm; single groove; length 1500 mm
i 984615	2 x	cross bar 46 x 1500 mm incl. expansion fasteners
i 984615-4	2 x	reducer profile for cross bar 1500 mm
i 98red1	2 x	combination profile 1000 mm for posts, used as cover strip
i 98red1	2 x	combination profile 500 mm for posts, used as reducers (1 item à 1000 mm for self-cutting-to-size)
	1 x	panel 1022 x 1522 x 3 mm (on request)

This is how to calculate the panel dimensions:

Lettering area + 22 mm



Berlin Entrée

ARKADEN AM SPEERBERG

**Freie Ladenflächen
ab sofort zu vermieten**

250 m² - 650 m²

Kontakt:
Arkaden am Speerberg GmbH
Bahnhofstraße 20
12345 Speerberg

Herr Scharl
0171/1 23 45 67
www.arkaden-speerberg.eu
scharl@arkaden-speerberg.eu

ARKADEN AM SPEERBERG

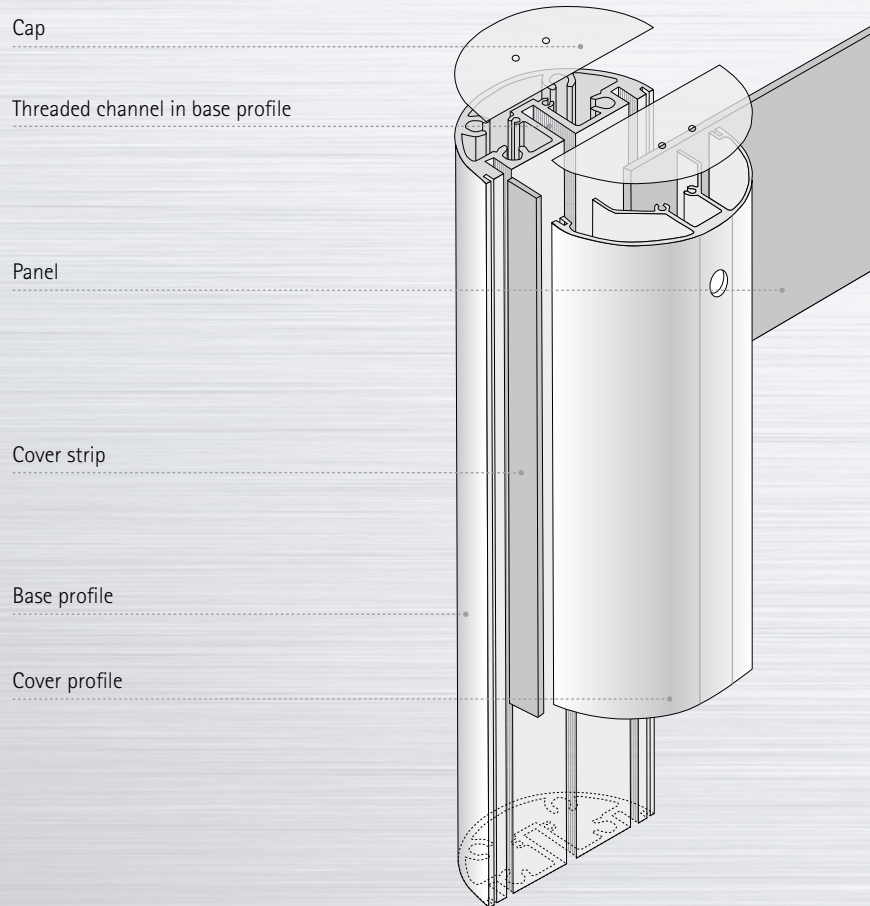
Gesundheitszentrum

Öffnungszeiten:
Mo - Fr 09:00 - 17:00 Uhr
Sa 09:00 - 12:00 Uhr

jeden 2. Donnerstag
bis 20:00 Uhr

Berlin Entrée

Profiles



Berlin Entrée posts are comprised of a cover profile and a base profile, the latter being 500 mm longer to enable installation in the ground/ floor.

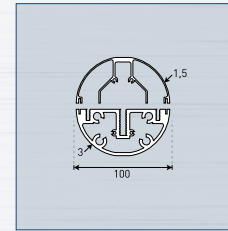
Delivery includes matching end caps as well as cover strips matched to the thickness of the panel. Berlin Entrée is delivered pre-assembled. Please order information panels and fastening screws separately.

- ! All posts have certification from an independent engineer's practice of positive results in structural tests.
- ! Details and foundations plans can be found on page 96.

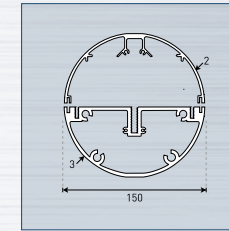
- ! The Berlin Entrée can only be erected by setting the 500mm longer base profile in footings. To enable the panels to be changed again in the future the cover profile must be above the footings.

Berlin Entrée Cross-sections of the base and cover profiles

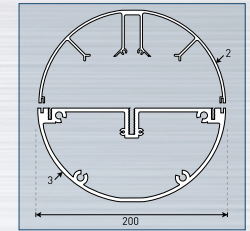
100 mm - profile



150 mm - profile



200 mm - profile



Berlin Entrée Profiles

Length*	Ø	Material thickness	Art. No.	Art. No.		
in mm	in mm	in mm **	silver-anodized	SST ***		
100 mm - profile, round, EV1 silver-anodized or stainless steel finish (SST)						
1500	100	1 - 16**	i 9315e	i 9315s		
2000	100	1 - 16**	i 9320e	i 9320s		
2500	100	1 - 16**	i 9325e	i 9325s		
3000	100	1 - 16**	i 9330e	i 9330s		
Length*	Ø	Material thickness	Art. No.	Art. No.		
in mm	in mm	in mm **	silver-anodized	SST ***		
150 mm - profile, round, EV1 silver-anodized or stainless steel finish (SST) ***						
2000	150	1 - 16**	i 9720e	i 9720s		
2500	150	1 - 16**	i 9725e	i 9725s		
3000	150	1 - 16**	i 9730e	i 9730s		
3500	150	1 - 16**	i 9735e	i 9735s		
4000	150	1 - 16**	i 9740e	i 9740s		
200 mm - profile, round, EV1 silver-anodized or stainless steel finish (SST) ***						
2000	200	1 - 16**	i 9920e	i 9920s		
2500	200	1 - 16**	i 9925e	i 9925s		
3000	200	1 - 16**	i 9930e	i 9930s		
3500	200	1 - 16**	i 9935e	i 9935s		
4000	200	1 - 16**	i 9940e	i 9940s		
4500	200	1 - 16**	i 9945e	i 9945s		

- ! * The specified dimension refers to the length of the cover profile (length of base profile = specified dimensions + 500 mm = delivery length).

** Please indicate material thickness in case of order.

*** While stock lasts.

Fillister head screws for fastening your information panels to Berlin Entrée posts

Fillister head screws with cross recessed heads, stainless steel, 1 unit pack = 10 items

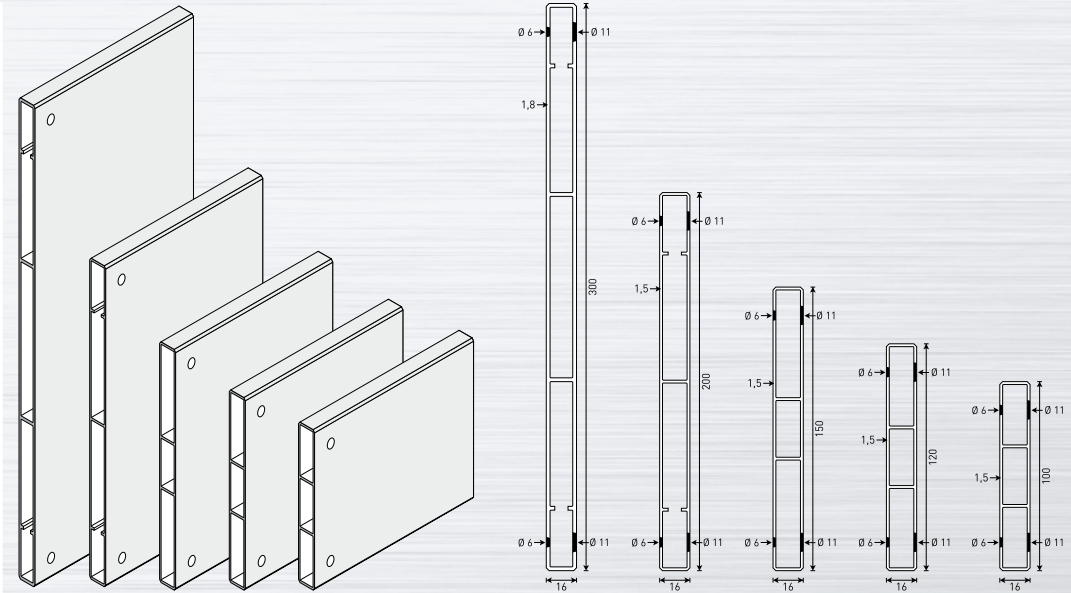
Material thickness	Art. No.
up to 4 mm	i 9508li
from 4 to 8 mm	i 9512li
from 8 to 12 mm	i 9516li
from 12 to 16 mm	i 9520li

Berlin Entrée Box profiles

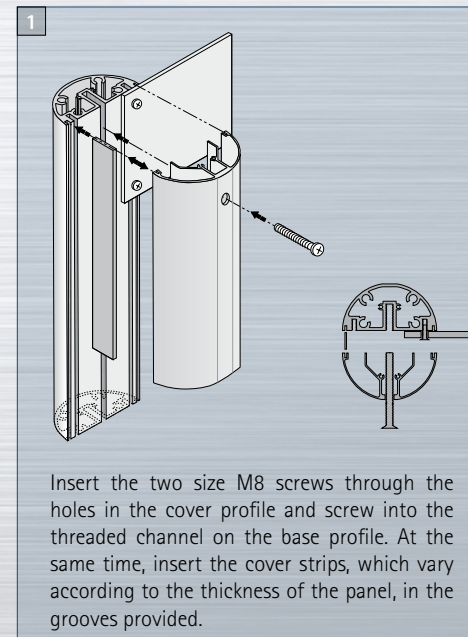
Aluminium E6/EV1 silver-anodized, usable both sides, for mounting on Berlin Entrée posts, with 4 holes of 6 mm diameter

Box profiles	usable display size	Thickness	Version	Art. No.
height x width in mm	in mm	in mm		
100 x 1000	100 x 944	15,8	silver-anodized	i 9310010
100 x 1200	100 x 1144	15,8	silver-anodized	i 9310012
100 x 1500	100 x 1444	15,8	silver-anodized	i 9310015
100 x 2000	100 x 1944	15,8	silver-anodized	i 9310020
120 x 1000	120 x 944	15,8	silver-anodized	i 9312010
120 x 1200	120 x 1144	15,8	silver-anodized	i 9312012
120 x 1500	120 x 1444	15,8	silver-anodized	i 9312015
120 x 2000	120 x 1944	15,8	silver-anodized	i 9312020
150 x 1000	150 x 944	15,8	silver-anodized	i 9315010
150 x 1200	150 x 1144	15,8	silver-anodized	i 9315012
150 x 1500	150 x 1444	15,8	silver-anodized	i 9315015
150 x 2000	150 x 1944	15,8	silver-anodized	i 9315020
200 x 1000	200 x 944	15,8	silver-anodized	i 9320010
200 x 1200	200 x 1144	15,8	silver-anodized	i 9320012
200 x 1500	200 x 1444	15,8	silver-anodized	i 9320015
200 x 2000	200 x 1944	15,8	silver-anodized	i 9320020
300 x 1000	300 x 944	15,8	silver-anodized	i 9330010
300 x 1200	300 x 1144	15,8	silver-anodized	i 9330012
300 x 1500	300 x 1444	15,8	silver-anodized	i 9330015
300 x 2000	300 x 1944	15,8	silver-anodized	i 9330020

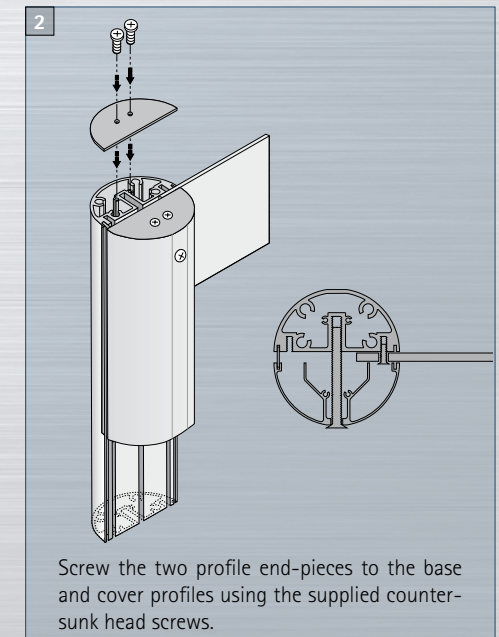
Special sizes on request.



Berlin Entrée Installation



Insert the two size M8 screws through the holes in the cover profile and screw into the threaded channel on the base profile. At the same time, insert the cover strips, which vary according to the thickness of the panel, in the grooves provided.

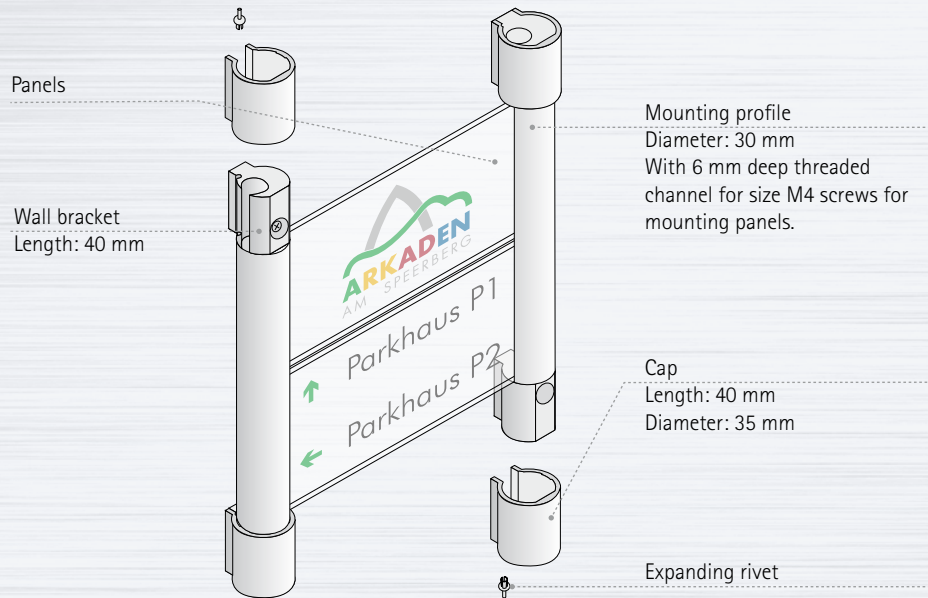


Screw the two profile end-pieces to the base and cover profiles using the supplied counter-sunk head screws.

Berlin Sign panel system for wall mounting



Berlin Sign panel system for wall mounting



A Berlin sign panel system is comprised of 2 mounting profiles, 4 wall brackets made of anodized aluminium, 4 caps and expanding rivets. The information panels are fixed to the mounting profiles from the back with fillister head screws. Please order the information panel and matching fillister head screws separately.

Length of mounting profile in mm	Version	Art. No.
500	Anodized aluminium EV1	i 9450 *
750	Anodized aluminium EV1	i 9475 *
1000	Anodized aluminium EV1	i 9410 *
1500	Anodized aluminium EV1	i 9415 *
2000	Anodized aluminium EV1	i 9420 *
500	Anodized aluminium stainless steel finish	i 9450s *
750	Anodized aluminium stainless steel finish	i 9475s *
1000	Anodized aluminium stainless steel finish	i 9410s *
1500	Anodized aluminium stainless steel finish	i 9415s *
2000	Anodized aluminium stainless steel finish	i 9420s *

* One unit pack (UP) comprises 2 mounting profiles, 4 wall brackets and 4 caps in anodized aluminium, plus 4 expanding rivets.

Special dimensions in request.

The profiles can be shortened without difficulty using standard commercially available tools.

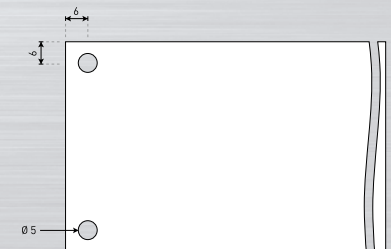
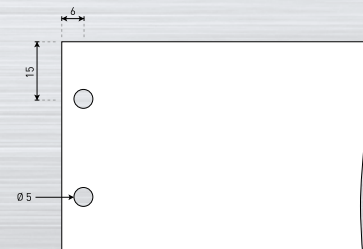
„Gold-Version“ on request.

Fillister head screws for fastening your information panel to the Berlin sign panel system

Fillister head screws with cross recessed head; stainless steel material; 1 unit pack = 10 items

Material thickness	Art. No.
up to 3 mm	i 9406 Li
2 to 5 mm	i 9408 Li
4 to 7 mm	i 9410 Li
6 to 9 mm	i 9412 Li
10 to 13 mm	i 9416 Li
14 to 17 mm	i 9420 Li

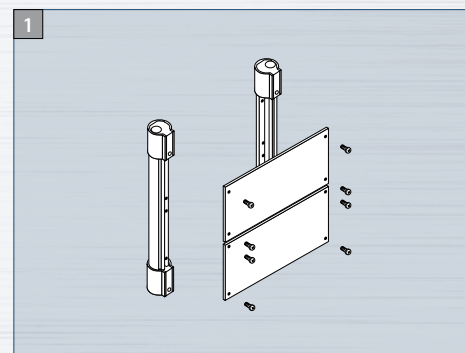
Hole spacing for 6 mm or 12 mm laminated safety glass Hole spacing for aluminium, acrylic, stainless steel panels



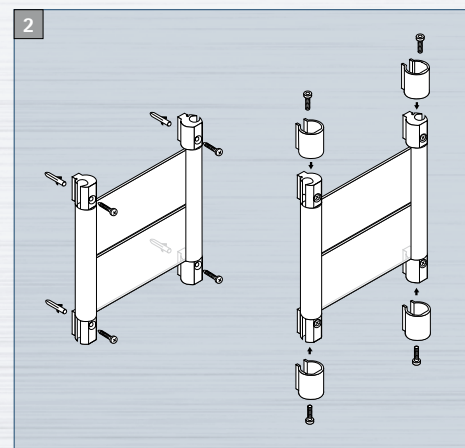
Panels for sign panel system

Production size	Display surface	Material thickness	Holes	Art. No.	
height x width in mm	height x width in mm	in mm	Quantity x Ø in mm		
Stainless steel panels, grain 240, brushed					
50 x 422	50 x 400	1,5	4 x 5	i 94405s	
75 x 422	75 x 400	1,5	4 x 5	i 94407s	
100 x 422	100 x 400	1,5	4 x 5	i 94410s	
125 x 422	125 x 400	1,5	4 x 5	i 94412s	
150 x 422	150 x 400	1,5	4 x 5	i 94415s	
200 x 422	200 x 400	1,5	4 x 5	i 94420s	
250 x 422	250 x 400	1,5	4 x 5	i 94425s	
300 x 422	300 x 400	1,5	4 x 5	i 94430s	
400 x 422	400 x 400	1,5	4 x 5	i 94440s	
Aluminium panels, silver-anodized in E6/EV 1					
50 x 422	50 x 400	3	4 x 5	i 94405e	
75 x 422	75 x 400	3	4 x 5	i 94407e	
100 x 422	100 x 400	3	4 x 5	i 94410e	
125 x 422	125 x 400	3	4 x 5	i 94412e	
150 x 422	150 x 400	3	4 x 5	i 94415e	
200 x 422	200 x 400	3	4 x 5	i 94420e	
250 x 422	250 x 400	3	4 x 5	i 94425e	
300 x 422	300 x 400	3	4 x 5	i 94430e	
400 x 422	400 x 400	3	4 x 5	i 94440e	
Acryl panels, with polished edges					
50 x 422	50 x 400	6	4 x 5	i 94405a	
75 x 422	75 x 400	6	4 x 5	i 94407a	
100 x 422	100 x 400	6	4 x 5	i 94410a	
125 x 422	125 x 400	6	4 x 5	i 94412a	
150 x 422	150 x 400	6	4 x 5	i 94415a	
200 x 422	200 x 400	6	4 x 5	i 94420a	
250 x 422	250 x 400	6	4 x 5	i 94425a	
300 x 422	300 x 400	6	4 x 5	i 94430a	
400 x 422	400 x 400	6	4 x 5	i 94440a	

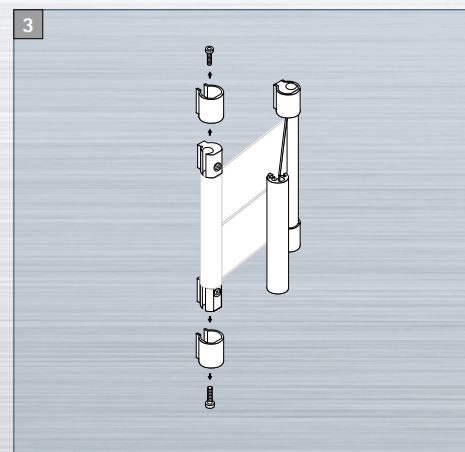
Fitting and changing the panels in the Berlin sign panel system



The information panels are fastened to the back of the mounting profiles with four fillister head screws each. The screws (not included in the contents of delivery) are screwed to a threaded channel in the mounting profile. This means that you can choose any size of information panel.



1. Mark the positions for the holes through the wall bracket.
2. Drill the holes and insert the dowels, then screw the wall bracket in position.
3. Fit the covers and secure with expanding rivets.



To change the panels, unscrew the allen screws in the top and bottom wall bracket on one side.

You can then swing open the mounting profile together with the signs and remove the panels.

Orlando Outdoor stands

An inviting placement - The Orlando outdoor stand captivates with its extreme stability together with its elegant design.

Technical data:

The cold rolled sign information surface made from 3 mm aluminium compound (RAL 9016 traffic white as standard) is firmly attached to the aluminium base profiles at the side. The additional cover profiles (painted in F1 - F16 or F18 in anodized silver E6/EV1) ensure clear optics. The 150 mm high base is usually delivered in the same colour as the posts. If the height of installations is over 2150 mm, the area for information is split and connected with an H - section. The sign information is applied with self-adhesive plotter letters or digital printing.

The outdoor stands are supplied fully assembled with side posts which are 350 - 500 mm longer as standard. Information about the foundation plan and structural calculations can be found on page 96.



Sign size	Sign information	Art. No.			
height x width in mm	area in mm				
1650 x 1000 **	1500 x 850	i 1500 *			
2150 x 1000 **	2000 x 850	i 1501 *			
2650 x 1000 ** Bestseller	2500 x 850	i 1502 *			
3150 x 1000	3000 x 850	i 1503 *			
3650 x 1000	3500 x 850	i 1504 *			
4150 x 1000 ***	4000 x 850	i 1505 *			
5150 x 1000 ***	5000 x 850	i 1507 *			
2150 x 1250	2000 x 1100	i 1601 *			
2650 x 1250 Bestseller	2500 x 1100	i 1602 *			
3150 x 1250	3000 x 1100	i 1603 *			
3650 x 1250	3500 x 1100	i 1604 *			
4150 x 1250 ***	4000 x 1100	i 1605 *			
5150 x 1250 ***	5000 x 1100	i 1607 *			
2650 x 1500 Bestseller	2500 x 1350	i 1702 *			
3150 x 1500	3000 x 1350	i 1703 *			
3650 x 1500	3500 x 1350	i 1704 *			
4150 x 1500 ***	4000 x 1350	i 1705 *			
5150 x 1500 ***	5000 x 1350	i 1707 *			

* Cover profiles are available in the standard colors F1 - F16 or F18 silver-anodized (EV1).
Please specify the required color number with the article number. Details are contained on page 97.

** All outdoor stands are delivered with side posts which are 350 - 500 mm longer as standard.
Stands denoted by ** can also be supplied with a base plate for screwing to footings as an alternative.

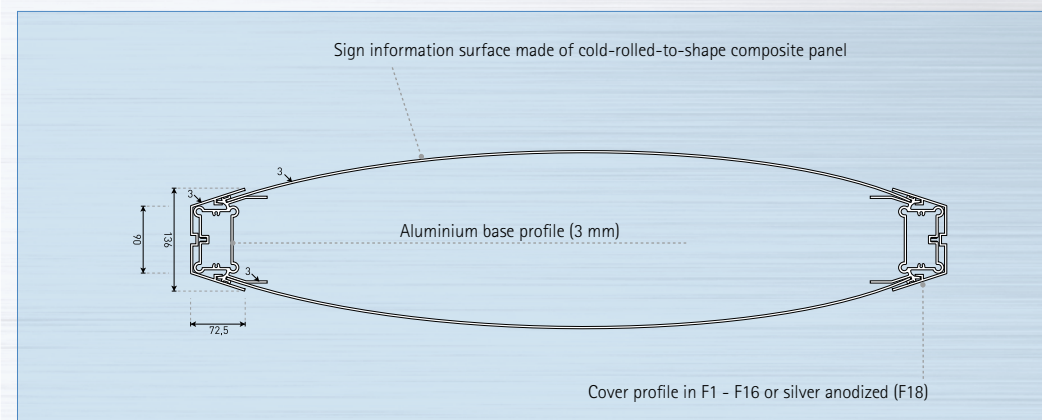
*** Including reinforcing profile 60 x 60 x 3 mm (steel tube, zinc coated).

Special sizes on request.

Special colors on request.

Accessories	width x depth x hight	Art. No.			
	in mm				
Base plate (steel)	Stand width x 250 x 10	i 1800	Painted in F16		

Orlando Outdoor stands



Orlando Ground-mounted spotlights

NEW



For outdoor use, incl. illuminant. Please have a look on page 90 for detailed information.

Name	visible format	installation depth	up to the height of	output	Art. No.	
	in mm	in mm				
swivelling floodlights „circle 1“	Ø 215	225	2 m	75 W	i leucht1	
asymmetrical floodlights „circle 2“	Ø 265	220	3 m	70 W	i leucht2	
asymmetrical floodlights „square“	120 x 1000	110	2 m	21 W	i leucht3	
swivelling ground spotlight „flexi“	Ø 250	-	2,5 m	70 W	i leucht4	
spike for the spotlight	l 250	250	-	-	i spieß	

It is completely pre-mounted on delivery. Therefore there is no complicated assembly - the stand can be inscribed immediately and the foundation laid.



Orlando Indoor stands

Extraordinary by style - the Orlando indoor stand aids orientation or displays varying information.

Technical data:

The edge rails at the side are usually available in anodized silver (EV 1) or painted in F1 - F16. The non-reflecting swing door made of 2 mm PVC can be released on both sides and opened using a bolt on the side thereby giving access to the area for information. In order to make unauthorized access difficult the bolt can be fixed with a screw. The base and the plate are usually delivered in grey F16, the sign information surface is painted in off-white RAL 9002.



Sign size	Information area	Information area	Art. No.
height x width	height x width	usable	
in mm	in mm	height x width in mm	
2100 x 320	2000 x 297	2000 x 286	i 1114 *
2100 x 440	2000 x 420	2000 x 406	i 1214 *
2100 x 610	2000 x 594	2000 x 576	i 1314 *
2100 x 850	2000 x 840	2000 x 816	i 1414 *

* Edge rails are available in the standard colors F1 - F16 or F18 silver-anodized (SA1).
Please specify the required color number with the article number. Details are contained on page 97.

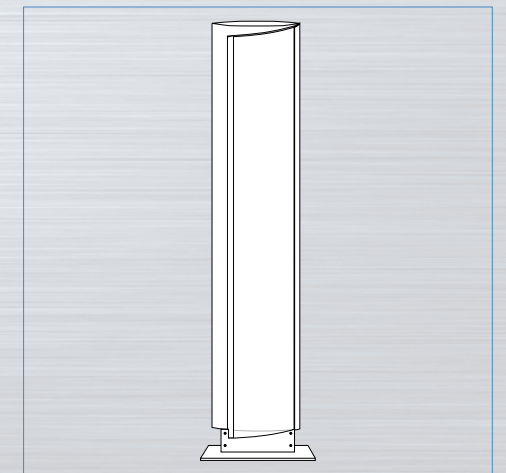
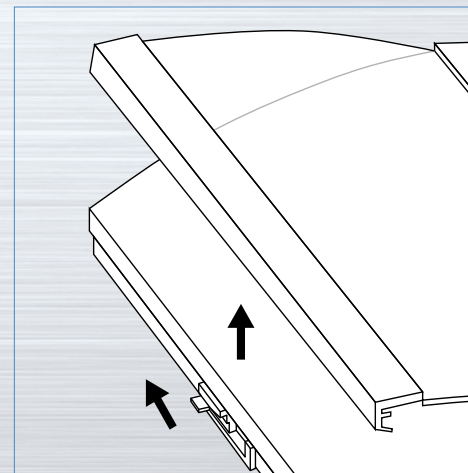
Special sizes on request.

Special colors on request.

Sign information

The sign information can be applied either with plotter lettering, paper inlay or digital printing. Open the door on the doorplate by lifting the slide at the side after turning the plastic screw outwards. The sign information can now be inserted.

Close the door with the slide and turn the locking screw in again slightly if you require additional protection against unauthorized access.





Orlando Directory for Suspending from ceiling – non paperflexible

including 2 x 1.5 m steel cord and press-on lugs (without cover)

Sign size	Area for information	Art. No.
height x width	height x width	
in mm	in mm	
148 x 325	148 x 297	i 1102 *
148 x 450	148 x 420	i 1202 *
210 x 620	210 x 594	i 1302 *
297 x 865	297 x 840	i 1402 *

Accessories		Art. No.
Automatic unit	(instead of hooks)	i 7732 **

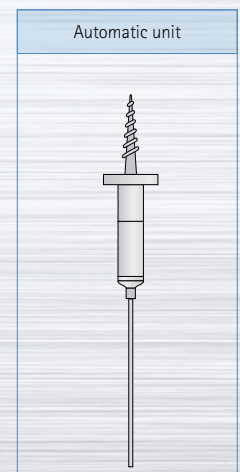
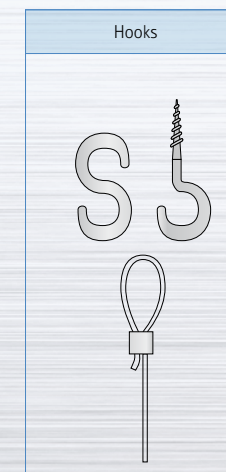
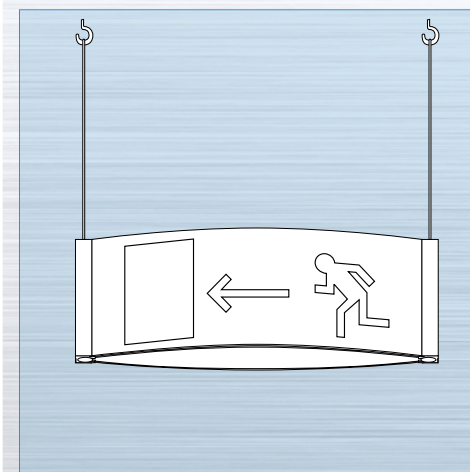
* The area for sign information is painted RAL 9002 gray-white as standard. Edge rails are available in the standard colors F1 – F16 or F18 (painted 9006). Please specify the required color number with the article number. Details are contained on page 97.

** Two automatic units are required per sign. The automatic unit is described on page 93.

Installation and sign information

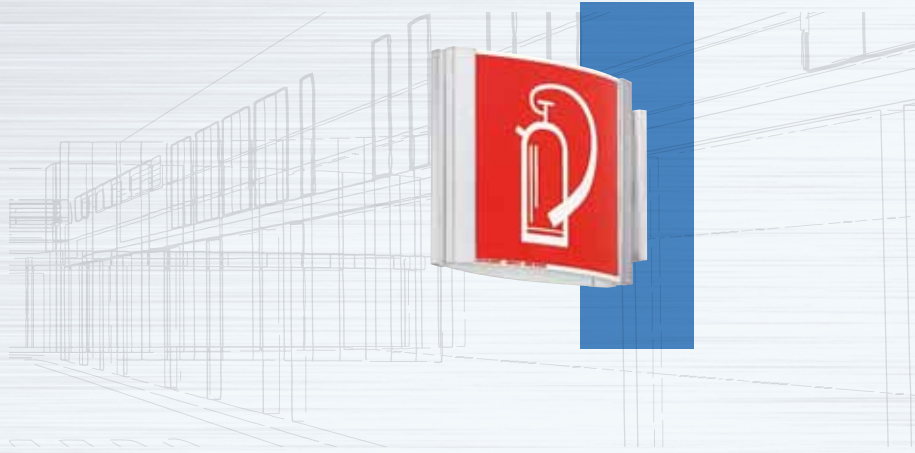
In this case the sign information is applied directly to the area for information using self-adhesive foil letters, digital printing or Emergency / Fire safety symbols.

The sign can be fastened to the ceiling either with conventional hooks or an automatic ceiling fastening system. The automatic device permits the sign to be adjusted retroactively so that if it is not straight or there are any differences in the length of the cord, these can be corrected with ease.



Orlando Directory for projecting - non paperflexible

This sign can be used on both sides. The color comes from the two edge rails on both sides. The sign information is applied directly to the convex surface in the form of self-adhesive foil letters or Emergency / Fire safety symbols.

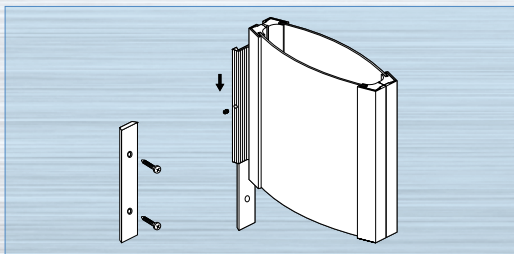


Sign size	Information area	Art. No.
height x width in mm	height x width in mm	
148 x 180	148 x 148	i 1003 *
148 x 325	148 x 297	i 1103 *

Sign information	Format in mm
Emergency / Fire safety symbols photoluminescent	148 x 148 148 x 297

* The area for sign information is painted RAL 9002 gray-white as standard. Edge rails are available in the standard colors F1 - F16 or F18 (painted 9006). Please specify the required color number with the article number. Details are contained on page 97.

Description and installation



The adapter consists of a mounting base profile and an adapter profile in anodized silver. The base profile is attached to the wall using two screws*. A grub screw at the side secures the slid over adapter, on which the signs are attached on both sides.

* Assembly material for wall mounting (screws and dowels) not included in delivery.

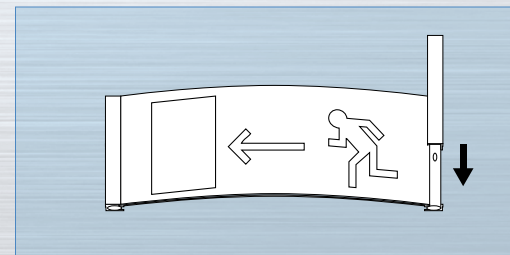
Orlando Directory for wall mounting - non paperflexible



Sign size	Information area	Art. No.
height x width in mm	height x width in mm	
148 x 325	148 x 297	i 1104 *
210 x 620	210 x 594	i 1316 *
297 x 450	297 x 420	i 1217 *

* The area for sign information is painted RAL 9002 gray-white as standard. Edge rails are available in the standard colors F1 - F16 or F18 (painted 9006). Please specify the required color number with the article number. Details are contained on page 97.

Installation und sign information



Concealed installation:
The holes are covered by the edge rails.
The sign information is applied directly to the sign information surface in the form of self-adhesive foil letters or fire safety or escape route symbols.



Installation und sign information

The sign is installed using two screws, on which the sign is hung by the two holes. After it has been aligned (see 2), the cross strut at the bottom should be glued to the wall to prevent unauthorized removal.

Once the sign has been fitted to the screws (see 1), align the sign using the device at the top with the help of an Allen key.



Orlando Directory for wall mounting

Paper flexible in all formats – the hood with the door mechanism enables the Orlando wall mounted sign post to display varying information in large formats.

Sign size	Information area	Information area	Art. No.
height x width	height x width	usable	
in mm	in mm	height x width in mm	
297 x 230	297 x 210 (DIN A4 vert)	297 x 196	i 1001 *
210 x 320	210 x 297 (DIN A4)	210 x 286	i 1100 *
420 x 320	420 x 297 (DIN A3 vert)	420 x 286	i 1101 *
1000 x 320	1000 x 297	1000 x 286	i 1107 *
2000 x 320	2000 x 297	2000 x 286	i 1112 *
297 x 440	297 x 420 (DIN A3 horz)	297 x 406	i 1201 *
594 x 440	594 x 420 (DIN A2 vert)	594 x 406	i 1205 *
1000 x 440	1000 x 420	1000 x 406	i 1207 *
2000 x 440	2000 x 420	2000 x 406	i 1212 *
420 x 610	420 x 594 (DIN A2 horz)	420 x 576	i 1304 *
840 x 610	840 x 594 (DIN A1 vert)	840 x 576	i 1305 *
1000 x 610	1000 x 594	1000 x 576	i 1307 *
2000 x 610	2000 x 594	2000 x 576	i 1312 *
594 x 850	594 x 840 (DIN A1 horz)	594 x 816	i 1405 *
1000 x 850	1000 x 840	1000 x 816	i 1407 *
2000 x 850	2000 x 840	2000 x 816	i 1412 *

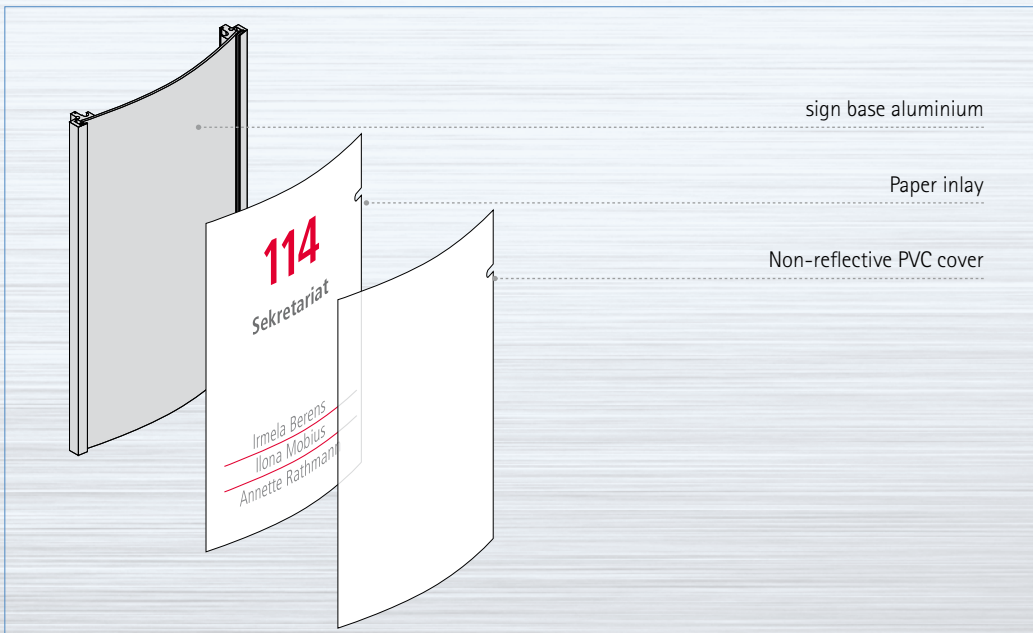
* Edge rails are available in the standard colors F1 – F16 or F18 silver-anodized (SA1).
Please specify the required color number with the article number. Details are contained on page 97.

Special sizes on request.

Special colors on request.

Orlando Door sign for wall mounting

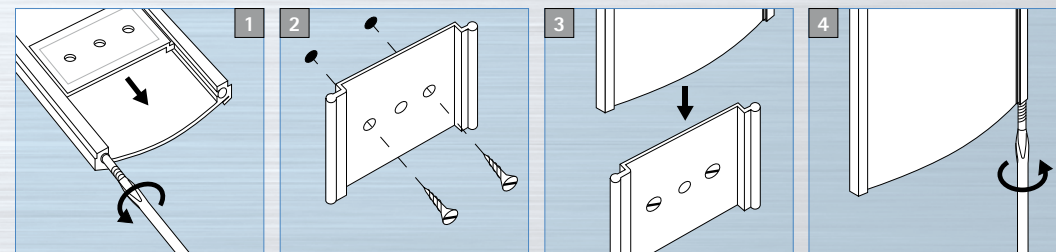
High-quality and elegant – the lightly arched front face makes the Orlando a particularly representative eye-catcher. The mounting is hidden and paper inlays can be produced easily. A hidden side notch holds the cover in place and prevents it from being removed by unauthorized persons and can only be removed with a suction pad.



Sign size	Information area	Art. No.		
height x width in mm	height x width in mm			
148 x 110 (DIN A6)	144 x 100	i 1000 *		
148 x 148	144 x 140	i 1148 *		
210 x 148 (DIN A5)	206 x 140	i 1105		
Special version		Art. No.		
Special colors	e.g. RAL	i 1000fso		

* Sign base and edge rails in single color lacquer from one of our 16 standard colors (F1 - F16), or F18 silver-anodized (EV1). Please specify the required color number with the article number. Details are contained on page 97.

Installation



To remove the mounting plate, unscrew the locking screw at the bottom.

The mounting plate can be fastened to the wall with either one (hole in the middle) or two screws*. To make it easier to install, the sign is self-adhesive at the back.

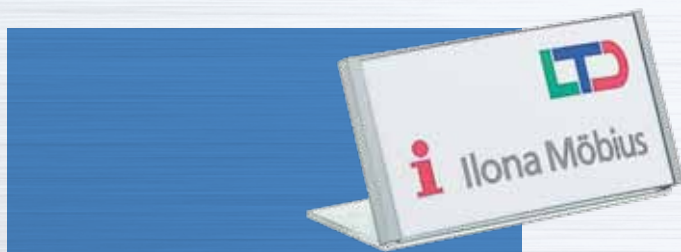
Once the mounting plate has been fastened, the doorplate itself can then be fitted back on again.

Lock the sign in place with the locking screw to complete installation.

* Assembly material for wall mounting (Screws and dowels) not included in delivery.

Orlando Table-top sign

Including acrylic angle



Sign size	Information area	Art. No.	
height x width in mm	height x width in mm		
74 x 110	72 x 100	i 1901F18 *	

* Sign base and edge rails silver-anodized (EV1).

Universal display „free | engaged“

NEW

Multitalent & all-rounder – the universal free | engaged display can be used in various situations: on flat or convex signs (in all formats), on table displays, confidentiality displays or simply directly on the door.

Technical data:

The main body is made of transparent PMMA (format 46 x 46 x 5 mm). Switching between “free” or “engaged” is a simple matter of turning over the red or green surface. Delivery includes adhesive dots.



Name	Art. No.		
Universal display free engaged	i universalfb		

Orlando Paper inlays, sign information and accessories

Paper inlays *		Art. No.	Unit pack	
Format height x width in mm				
144 x 105	for door sign i 1000 and Table-top sign i 1901F18 ***	i 1000 – 100P **	10 items	
		i 1000 – OP **	50 items	
144 x 144	for door sign i 1148	i 1148 – 100P **	10 items	
		i 1148 – OP **	50 items	
206 x 144	for door sign i 1105	i 1105 – 100P **	10 items	
		i 1105 – OP **	50 items	
210 x 297	DIN A4	i 1100 – OP	10 items	
297 x 420	DIN A3	i 1200 – OP	5 items	

* Paper inlays are supplied in RAL 9002 gray-white as standard, blank for self-printing with a laser or ink-jet printer.

** Punched on DIN A4 sheet.

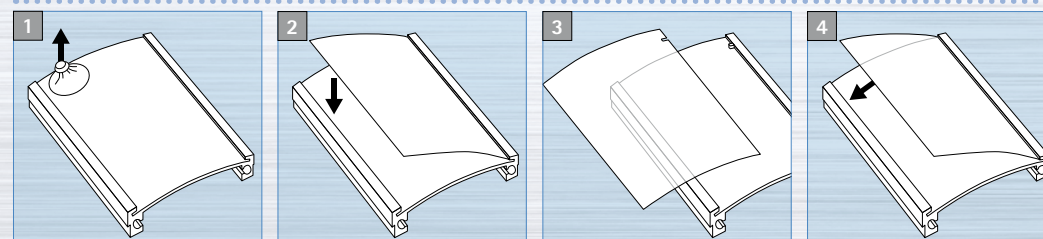
*** 1 sheet = 2 inserts for desk name stand (to divide in the middle at 72 x 105 mm).

Accessories / Pictograms	Dim. in mm	Art. No.	
Design templates incl. Pictograms and free installation file „Inkscape“		i vorlagen	
Pictograms, design Otl Aicher, single-color on white paper	144 x 105		
	144 x 144		
Emergency / Fire safety symbols (Laser-printed on white paper)	144 x 144		



Extract from a wide range. For further Otl Aicher pictograms, please refer to page 94 onwards. For a selection of Emergency / Fire safety symbols, please refer to www.moedel.de. For sign information in Braille / tactile lettering, please refer to page 92 onwards.

Inserting the sign information



Remove the PVC cover by pressing the supplied suction cap onto the panel and pulling the cover towards you.

When inserting the sign information, make sure that the hole in the paper inlay fits in the holding pin at the top on the right. This guarantees correct positioning and prevents unauthorized removal.

Once the paper has been inserted, first insert the cover in the holding pin on the right to get the right position and prevent unauthorized removal.

Then close the door sign by pushing the cover into the profile on the left hand side.

Rio Outdoor stands

An elegant way to welcome your guests - the Rio outdoor stand captivates with its design and aesthetics.

Technical data:

The base body consists of silver-anodized aluminium frame, which is cut to mitre and connected with angles in the inside. Additional connecting profiles in the inside arrange the necessary stability and serve the sign panel (composite aluminium, stainless steel finish) as enforcement. The overall depth is 80 mm.

The standard means of installation is on side posts lengthened by 500 mm (steel 60 x 60 mm). Information about foundation plan and statics can be found on page 96.



Sign size	Information area	Art. No.		
height x width x depth in mm	height x width in mm			
Portrait = vertical brushing				
2000 x 730 x 80	1997,5 x 725,5	i 92outdoor2000.730		
2500 x 730 x 80	2497,5 x 725,5	i 92outdoor2500.730		
3000 x 730 x 80	2997,5 x 725,5	i 92outdoor3000.730		
2000 x 1000 x 80	1997,5 x 995,5	i 92outdoor2000.1000		
2500 x 1000 x 80	2497,5 x 995,5	i 92outdoor2500.1000		
3000 x 1000 x 80	2997,5 x 995,5	i 92outdoor3000.1000		
2000 x 1250 x 80	1997,5 x 1245,5	i 92outdoor2000.1250		
2500 x 1250 x 80	2497,5 x 1245,5	i 92outdoor2500.1250		
3000 x 1250 x 80	2997,5 x 1245,5	i 92outdoor3000.1250		
3750 x 1250 x 80 *	3747,5 x 1245,5	i 92outdoor3750.1250		
Landscape = horizontal brushing				
1250 x 1800 x 80	1247,5 x 1795,5	i 92outdoor1250.1800		
1250 x 2000 x 80	1247,5 x 1995,5	i 92outdoor1250.2000		
1250 x 2500 x 80	1247,5 x 2495,5	i 92outdoor1250.2500		
1250 x 3000 x 80	1247,5 x 2995,5	i 92outdoor1250.3000		

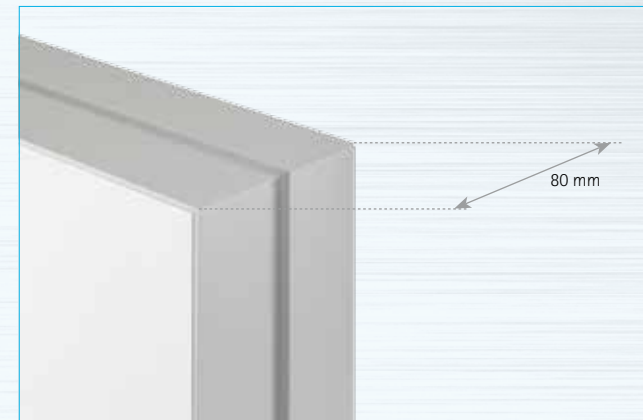
* Lettering area is separated.

Special sizes on request.

Special colors on request.

Accessories	Format	Art. No.		
Base plate (steel)	250 x 250 x 10 mm	i 92bopla		

Rio Outdoor stands



Detailed view

Rio Ground-mounted spotlights

NEW



For outdoor use, incl. Illuminant. Please have a look on page 90 for detailed information.

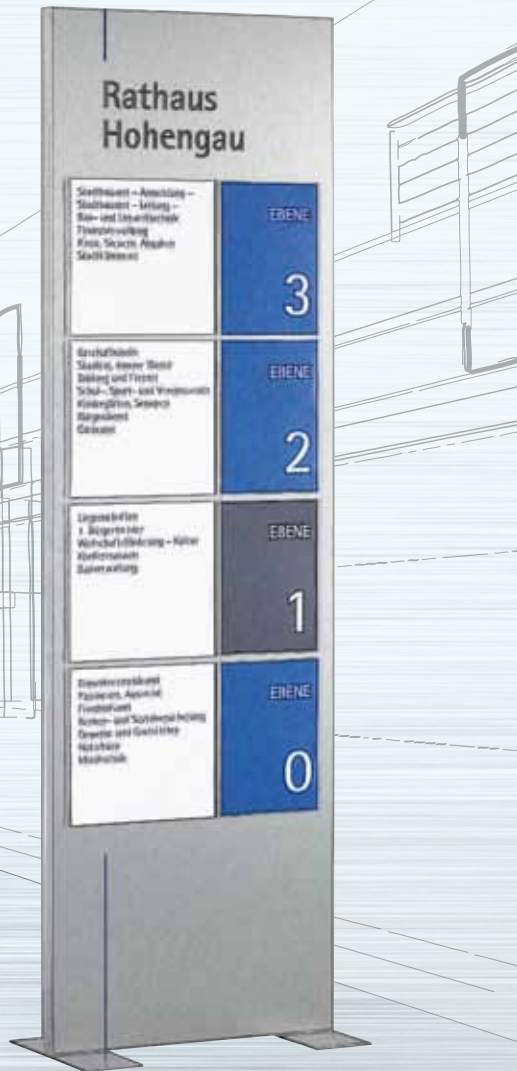
Name	visible format	installation depth	up to the height of	output	Art. No.	
	in mm	in mm				
swivelling floodlights „circle 1“	Ø 215	225	2 m	75 W	i leucht1	
asymmetrical floodlights „circle 2“	Ø 265	220	3 m	70 W	i leucht2	
asymmetrical floodlights „square“	120 x 1000	110	2 m	21 W	i leucht3	
swivelling ground spotlight „flexi“	Ø 250	-	2,5 m	70 W	i leucht4	
spike for the spotlight	l 250	250	-	-	i spieß	

Rio Indoor stands

Mobility and flexibility are the attributes of the Rio indoor stands. The sign information can be applied flexibly on both sides by means of graphic text or paper with fitted exchanger modules*.

Technical data:

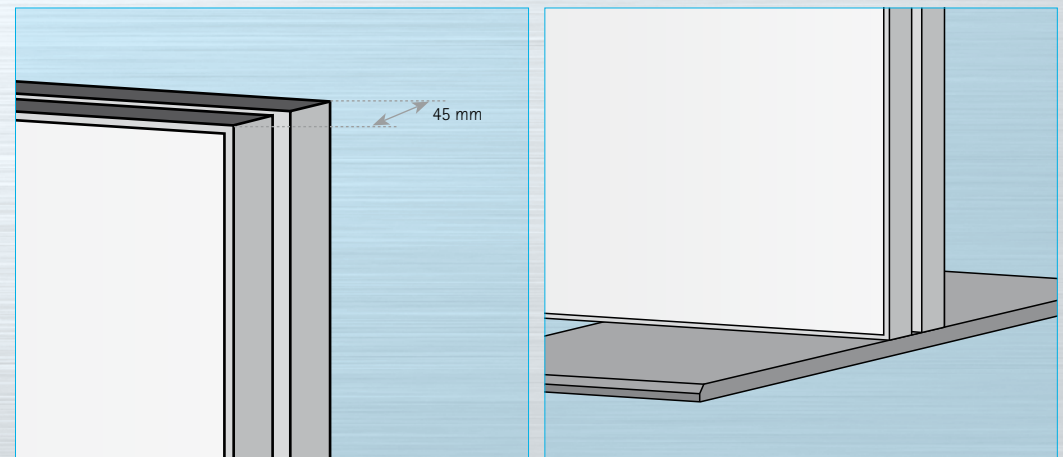
The base body consists of silver-anodized aluminium frame, which is cut to mitre and connected with angles in the inside. Justified composite aluminium panels (3 mm) in stainless steel finish serve double-sided as sign panels. For mobile application we supply base plates (350 x 120 x 6 mm in RAL 9007), which are screwed edge to edge. The overall depth is 45 mm.



Sign size	Information area	Art. No.		
height x width x depth in mm	height x width in mm			
1800 x 450 x 45	1795,5 x 445,5	i 92stele1800.450		
2000 x 600 x 45	1995,5 x 595,5	i 92stele2000.600		
2000 x 730 x 45	1995,5 x 725,5	i 92stele2000.730		

* Please send us a scale assembly drawing, taking into account that a gap of at least 5 mm between the exchangeable panels is required to be able to actuate the adjusting clips. For exchangeable panels please refer to page 29.

Special sizes on request.





The sign information is applied directly to the area for information using self-adhesive foil letters, digital printing or Emergency / Fire safety symbols.

Technical data:

The base panel is comprised of a surrounding silver anodized aluminium frame with angle brackets inside, covered on both sides with vertically brushed composite panels (3 mm) in stainless steel optics. The overall depth is 16 mm. Delivery includes two 1.5 m steel cords and press-on lugs.

Rio Directory for suspending from the ceiling - non paperflexible

Sign size	Information area	Art. No.		
height x width x depth in mm	height x width in mm			
150 x 650 x 16	147,5 x 647,5	i 92hänger150.650		
150 x 850 x 16	147,5 x 847,5	i 92hänger150.850		
150 x 1000 x 16	147,5 x 997,5	i 92hänger150.1000		
150 x 1250 x 16	147,5 x 1247,5	i 92hänger150.1250		
250 x 650 x 16	247,5 x 647,5	i 92hänger250.650		
250 x 850 x 16	247,5 x 847,5	i 92hänger250.850		
250 x 1000 x 16	247,5 x 997,5	i 92hänger250.1000		
250 x 1250 x 16	247,5 x 1247,5	i 92hänger250.1250		

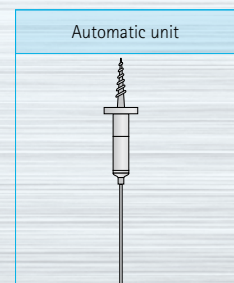
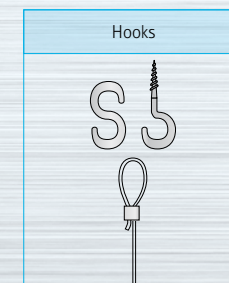
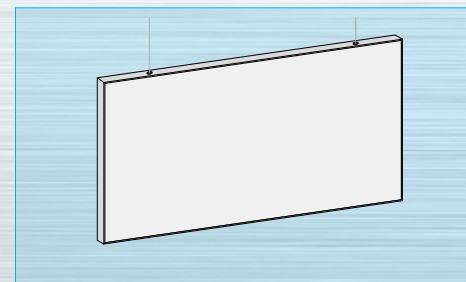
Special sizes on request.

Accessories		Art. No.		
Automatic unit	(instead of hooks)	i 7732 **		

** Two automatic units are required per sign. The automatic unit is described on page 93.

Installation and sign information

The sign can be fastened to the ceiling either with conventional hooks or an automatic ceiling fastening system. The automatic device permits the sign to be adjusted retroactively so that if it is not straight or there are any differences in the length of the cord, these can be corrected with ease.



Rio Directory for suspending from the ceiling - paperflexible

For sign information on both sides (e.g. with safety symbols or paper inlays), including two 1.5 m steel cords and press-on lugs.



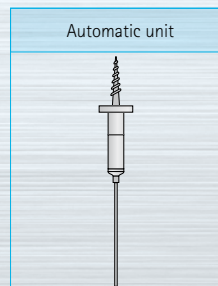
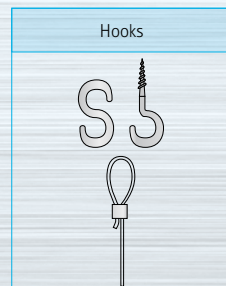
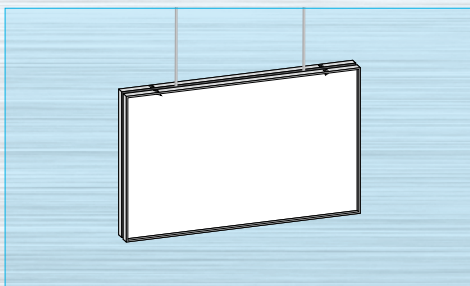
Sign size	Information area	Art. No.	
height x width in mm	height x width in mm		
149,5 x 299,0	147,5 x 296,5	i 9240	

Accessories		Art. No.	
Automatic unit	(instead of hooks)	i 7732 **	

** Two automatic units are required per sign. The automatic unit is described on page 93.

Installation and sign information

Like the door sign and the Directory sign, you produce the sign information for the Rio suspended sign yourself on the computer using a paper inlay. In addition, it is ideally suitable for safety signs. The sign can be fastened to the ceiling either with conventional hooks or an automatic ceiling fastening system. The automatic device permits the sign to be adjusted retroactively so that if it is not straight or there are any differences in the length of the cord, these can be corrected with ease.



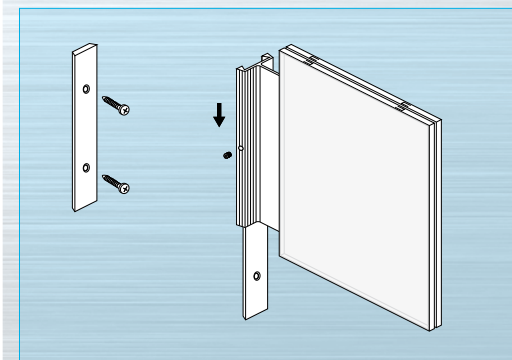
Rio Directory for projecting

For sign information on both sides (e.g. with safety symbols or paper inlays).



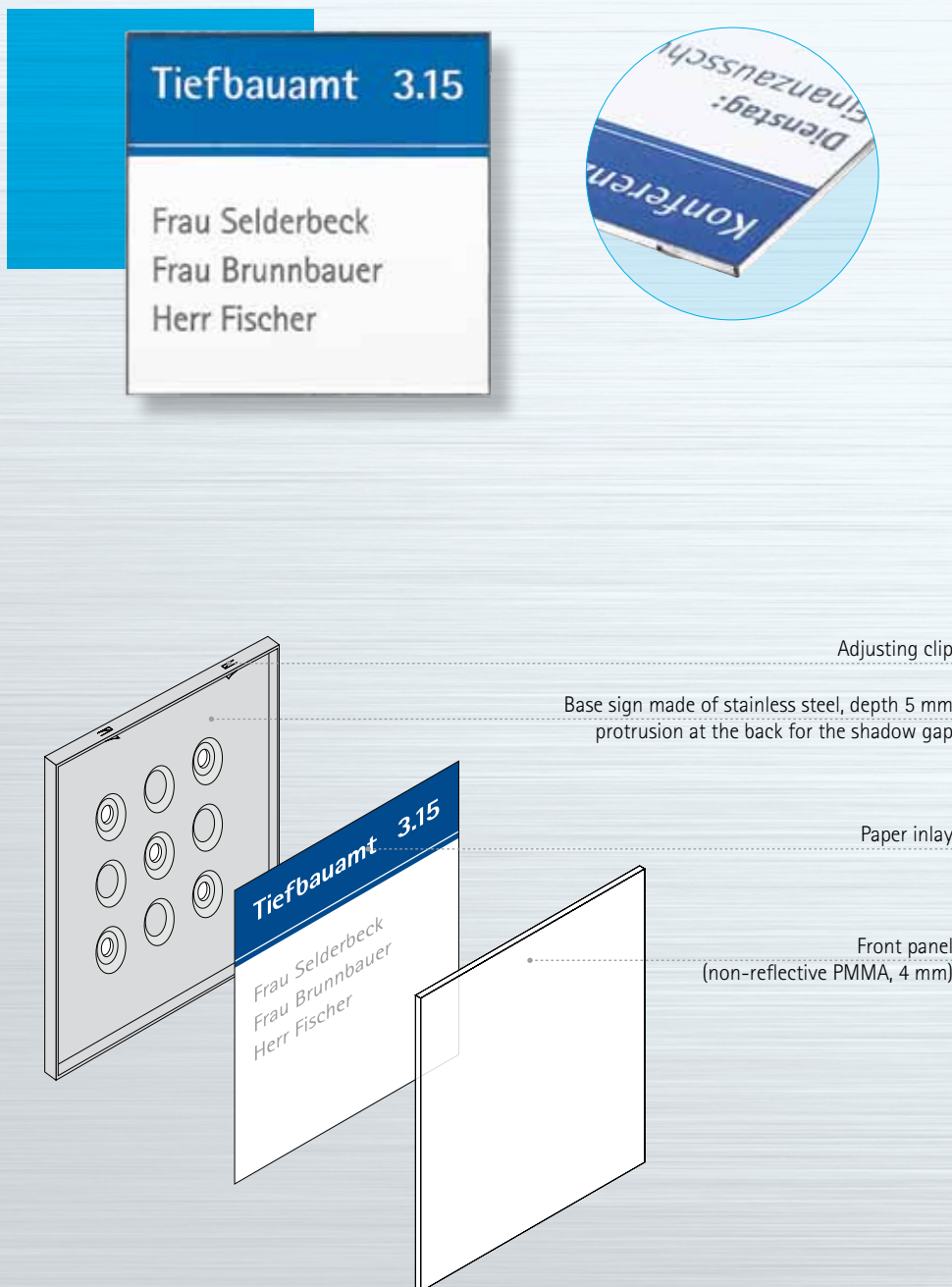
Sign size	Information area	Art. No.	
height x width in mm	height x width in mm		
149,5 x 149,5	147,5 x 147,5	i 9222	
149,5 x 299,0	147,5 x 296,5	i 9220	

Installation and sign information



The adapter consists of a mounting base profile and an adapter profile in anodized silver. The base profile is attached to the wall using two screws*. A grub screw at the side secures the sign over adapter, on which the signs are attached on both sides.

* Assembly material for wall mounting (screws and dowels) not included in delivery.



Rio Door Sign / Directory for wall mounting

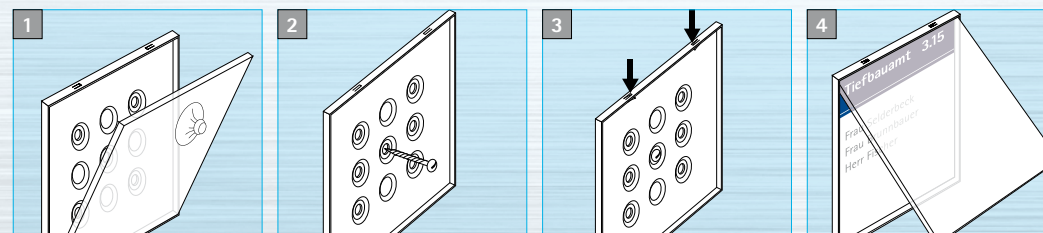
"Reduced to the essentials" - timeless and discrete "Rio" offers the right (stainless steel) frame for information and markings. Two flaps at the side inside the basic sign hold the non-reflecting cover in place and it can only be removed with a suction pad.

Technical data:

The base troughs made of 2VA (1mm) are set at an angle using a multi-tool, thereby attaining an optimum fit accuracy of the cover with the sign base.

Sign size		Information area	Art. No.
height x width in mm		height x width in mm	
74,75 x 149,5	Door sign 75	72,75 x 147,5	i 9201
149,5 x 107	DIN A6	147,5 x 105	i 9206
149,5 x 149,5	Door sign 150	147,5 x 147,5	i 9200
149,5 x 212	DIN A5	147,5 x 209,5	i 9205
182 x 182	Door sign 182	179,5 x 179,5	i 92180
149,5 x 299	Safety signs	147,5 x 296,5	i 9230
299 x 212	DIN A4	296,5 x 209,5	i 9204
299 x 299	Directory 299	296,5 x 296,5	i 92297
424 x 299	DIN A3	421,5 x 296,5	i 9203

Installation



1 Remove the acrylic panel (PMMA) with the help of the suction cap. Then fix the base sign to the wall with the two self-adhesive spots on the back.

2 After inserting the dowels*, fix the door sign using two screws (you may need just one screw if the wall is suitable).

3 To ensure that the acrylic panel is securely held, press in the two adjusting clips at the top of the base sign lightly.

4 When you insert the acrylic panel again, slide it in at the top first and press firmly against the adjusting clips. Then press it in firmly against the opposite side, i.e. the bottom.

* Assembly material for wall mounting (screws and dowels) not included in delivery.

Rio Main Directory / Outdoor sign for wall mounting

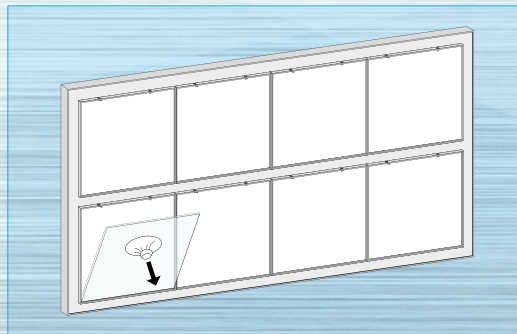
The Rio main directory permits individual combinations of different sizes and types of sign. It comes in a slim-line and elegant design for the presentation of information on large surfaces. The sign information can be applied directly to the base panel, and to enable information to be exchanged quickly, exchanger modules offer the ideal solution.

To be able to produce the Rio main directory we require a sketch of the proposed guide. Please note that a gap of at least 5mm must be allowed between the exchanger modules to be able to actuate the adjusting clips.

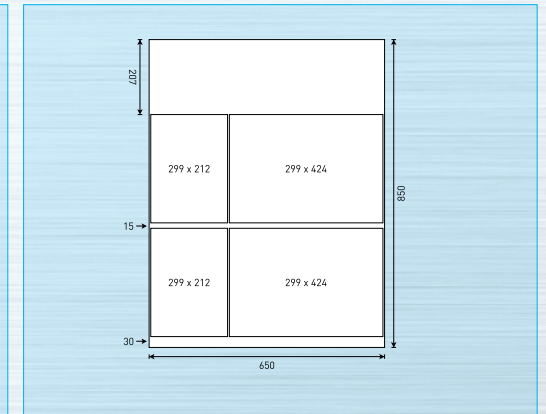
Technical data:

The basic structure is comprised of a surrounding silver anodized aluminium frame with angle brackets inside. It has keyholes on the back for wall mounting. The information panel itself is a 3.0 mm composite panel in stainless steel optics at the front (vertical brushing). The overall depth is 16 mm.

On request the information signs can be supplied with concealed anti-removal guards.



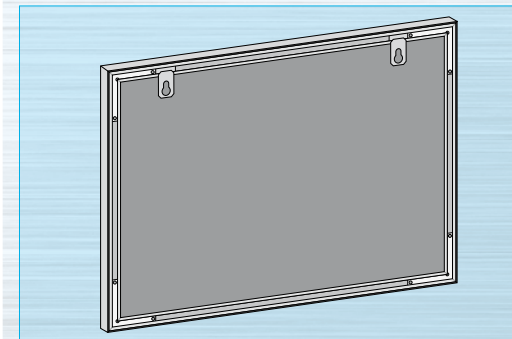
Design example for main directory



The above design example is comprised of the following:
 1 x Main Directory, size 850 x 650 mm (i 92wand850.650)
 2 x Rio Directory, size 299 x 212 mm DIN A4 (i 9204)
 2 x Rio Directory, size 299 x 424 mm DIN A3 (i 9203)

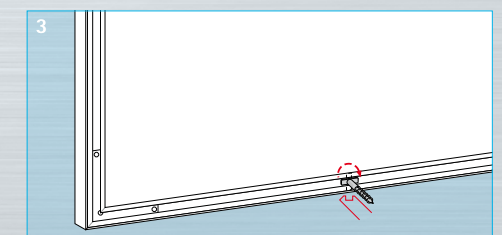
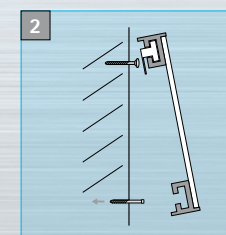
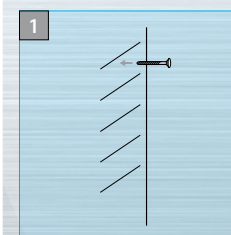
To be able to produce the Rio main directory we require a sketch of the proposed guide.
 Please note that a gap of at least 5 mm must be allowed to be able to actuate the adjusting clips.

Installation of the main directory / outdoor sign



- 1 The unit is installed by screwing two screws* to the wall through the keyholes. The sign is then hung on the screws.
- 2 The optional available locking device is installed by mounting the screw right in the centre of the frame (9,5 mm from bottom edge).
- 3 After the sign is hung the screw locking device is tightened with the special key.

* Assembly material for wall mounting (screws and dowels) not included in delivery.



Rio Main Directory / Outdoor sign for wall mounting

Sign size	Information area	Art. No.		
height x width x depth in mm	height x width in mm			
450 x 450 x 16	447,5 x 447,5	i 92wand450.450		
450 x 650 x 16	447,5 x 647,5	i 92wand450.650		
450 x 850 x 16	447,5 x 847,5	i 92wand450.850		
450 x 1000 x 16	447,5 x 997,5	i 92wand450.1000		
450 x 1250 x 16	447,5 x 1247,5	i 92wand450.1250		
650 x 450 x 16	647,5 x 447,5	i 92wand650.450		
650 x 650 x 16	647,5 x 647,5	i 92wand650.650		
650 x 850 x 16	647,5 x 847,5	i 92wand650.850		
650 x 1000 x 16	647,5 x 997,5	i 92wand650.1000		
650 x 1250 x 16	647,5 x 1247,5	i 92wand650.1250		
850 x 450 x 16	847,5 x 447,5	i 92wand850.450		
850 x 650 x 16	847,5 x 647,5	i 92wand850.650		
850 x 850 x 16	847,5 x 847,5	i 92wand850.850		
850 x 1000 x 16	847,5 x 997,5	i 92wand850.1000		
850 x 1250 x 16	847,5 x 1247,5	i 92wand850.1250		

Sign size	Information area	Art. No.		
height x width x depth in mm	height x width in mm			
1000 x 450 x 16	997,5 x 447,5	i 92wand1000.450		
1000 x 650 x 16	997,5 x 647,5	i 92wand1000.650		
1000 x 850 x 16	997,5 x 847,5	i 92wand1000.850		
1000 x 1000 x 16	997,5 x 997,5	i 92wand1000.1000		
1000 x 1250 x 16	997,5 x 1247,5	i 92wand1000.1250		
1250 x 450 x 16	1247,5 x 447,5	i 92wand1250.450		
1250 x 650 x 16	1247,5 x 647,5	i 92wand1250.650		
1250 x 850 x 16	1247,5 x 847,5	i 92wand1250.850		
1250 x 1000 x 16	1247,5 x 997,5	i 92wand1250.1000		
1250 x 1250 x 16	1247,5 x 1247,5	i 92wand1250.1250		

Exchangeable modules see page 29.

Special sizes on request.



Accessories



special screw locking device
key for locking device

Art. No.

i wandschloss
i wandschlüssel

Rio Table-top sign

mounted on an stainless steel angle



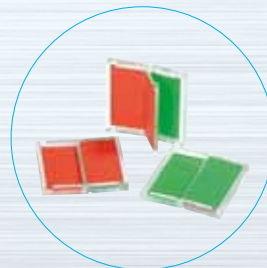
Sign size	Information area	Art. No.
height x width in mm	height x width in mm	
74,75 x 149,5	72,75 x 147,5	i 9210

Universal display „free | engaged“

Multitalent & all-rounder – the universal free | engaged display can be used in various situations: on flat or convex signs (in all formats), on table displays, confidentiality displays or simply directly on the door.

Technical data:

The main body is made of transparent PMMA (format 46 x 46 x 5 mm). Switching between “free” or “engaged” is a simple matter of turning over the red or green surface. Delivery includes adhesive dots.



Name	Art. No.
Universal display free engaged	i universalfb

Rio Paper inlays, sign information and accessories

Paper inlays *		Unit pack	Art. No.	Art. No.
Format height x width in mm			pure white	silver
72,75 x 147,5		10 items	i 9201 - 100P **	
		50 items	i 9201 - 0P **	i 9201 - OSP **
147,5 x 105	for DIN A6	10 items	i 9206 - 100P **	
		50 items	i 9206 - 0P **	i 9206 - OSP **
147,5 x 147,5		10 items	i 9200 - 100P **	
		50 items	i 9200 - 0P **	i 9200 - OSP **
147,5 x 209,5	for DIN A5	10 items	i 9205 - 100P **	
		50 items	i 9205 - 0P **	i 9205 - OSP **
179,5 x 179,5		10 items	i 92180 - 100P **	
		50 items	i 92180 - 0P **	i 92180 - OSP *
147,5 x 296,5	for safety signs	10 items	i 9230 - 0P **	i 9230 - OSP **
296,5 x 296,5		5 items	i 92297 - 0P	i 92297 - OSP
296,5 x 209,5	for DIN A4	10 items	i 9204 - 0P	i 9204 - OSP
421,5 x 296,5	for DIN A3	5 items	i 9203 - 0P	i 9203 - OSP

* Paper inlays are supplied in pure white or silver, blank for self-printing with laser or inkjet printers.

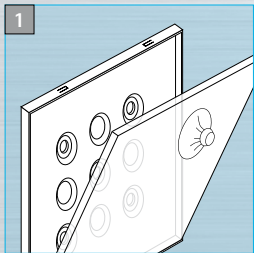
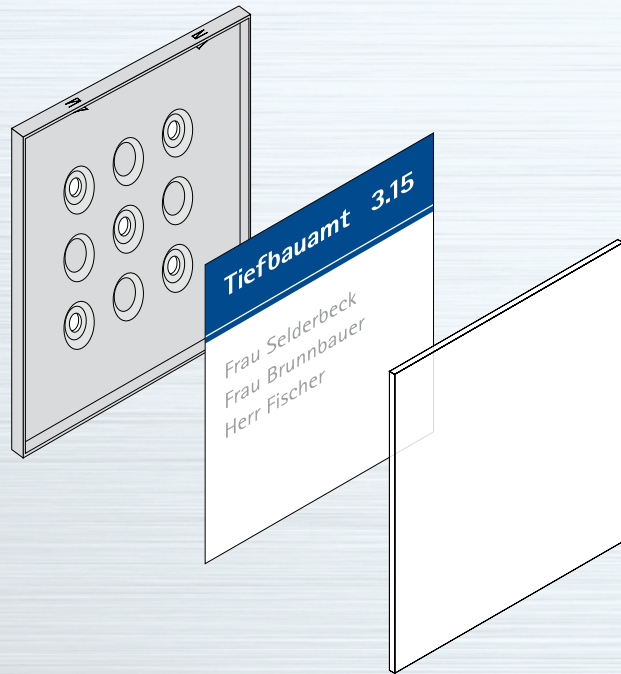
** Punched on DIN A4 sheet.

Accessories / Pictograms	Dim. in mm	Art. No.
Design templates incl. Pictograms and free installation file „Inkscape“		i vorlagen
Pictograms, design Otl Aicher, single-color on white paper	144 x 105	
	144 x 144	
Emergency / Fire safety symbols (Laser-printed on white paper)	144 x 144	
	147,5 x 296,5	
Emergency / Fire safety symbols, photoluminescent	147,5 x 147,5	
	147,5 x 296,5	

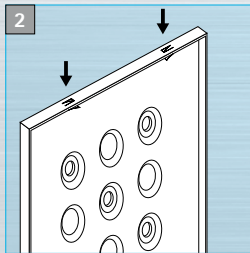


Extract from a wide range. For further Otl Aicher pictograms, please refer to page 94 onwards. For a selection of Emergency / Fire safety symbols, please refer to www.moedel.de. For sign information in Braille / tactile lettering, please refer to page 92 onwards.

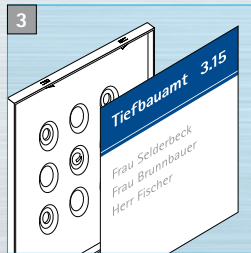
Inserting the sign information



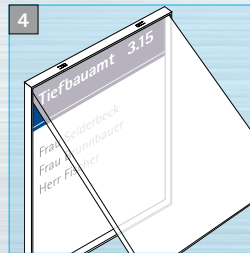
1 Remove the acrylic panel (PMMA) with the help of the suction cap.



2 When you insert the paper inlay, make sure that it is pushed in under the adjusting clips.



3 To ensure that the acrylic panel is securely held, it may be necessary to press in the two adjusting clips at the top of the base panel lightly before you insert the acrylic panel again.



4 When you insert the acrylic panel again, slide it in at the top first and press firmly against the adjusting clips. Then press it in firmly against the opposite side, i.e. the bottom.



Oslo Directory for suspending from the ceiling

For double sided sign information, including two 1,5 mm steel cords and press-on lugs.



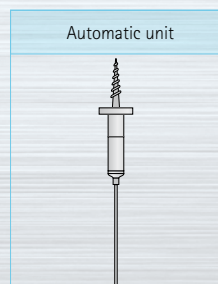
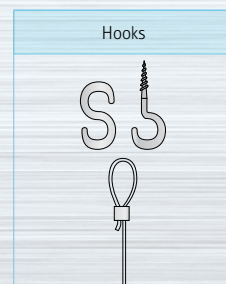
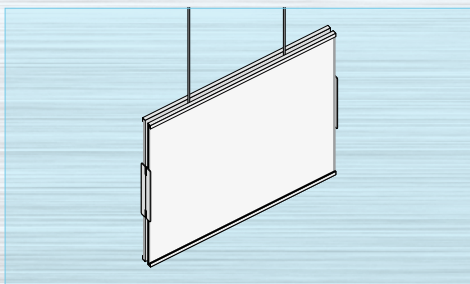
Sign size	Information area	Art. No.	
height x width in mm	height x width in mm		
151 x 297	144 x 297	i 2640	

Accessories		Art. No.	
Automatic unit	(instead of hooks)	i 7732 *	

* Two automatic units are required per sign. The automatic unit is described on page 93.

Installation and sign information

The sign can be fastened to the ceiling either with conventional hooks or an automatic ceiling fastening system. The automatic device permits the sign to be adjusted retroactively so that if it is not straight or there are any differences in the length of the cord, these can be corrected with ease.



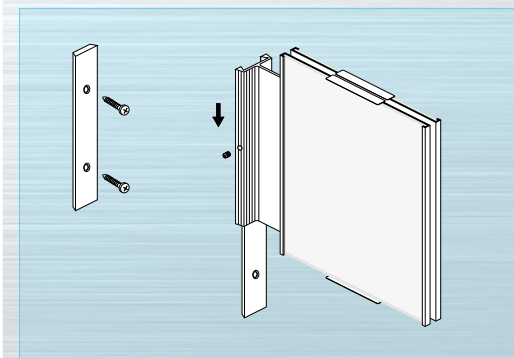
Oslo Directory for projecting

For sign information on both sides (e.g. with safety symbols or paper inlays), including adapter



Sign size	Information area	Art. No.	
height x width in mm	height x width in mm		
151 x 148	144 x 148	i 2651	
151 x 297	144 x 297	i 2650	

Installation and sign information



The adapter consists of a mounting base profile an adapter profile in anodized silver. The base profile is attached to the wall using two screws*. A grub screw at the side secures the slid over adapter, on which the signs are attached on both sides.

* Assembly material for wall mounting (screws and dowels) not included in delivery.



Oslo Door Sign / Directory for wall mounting

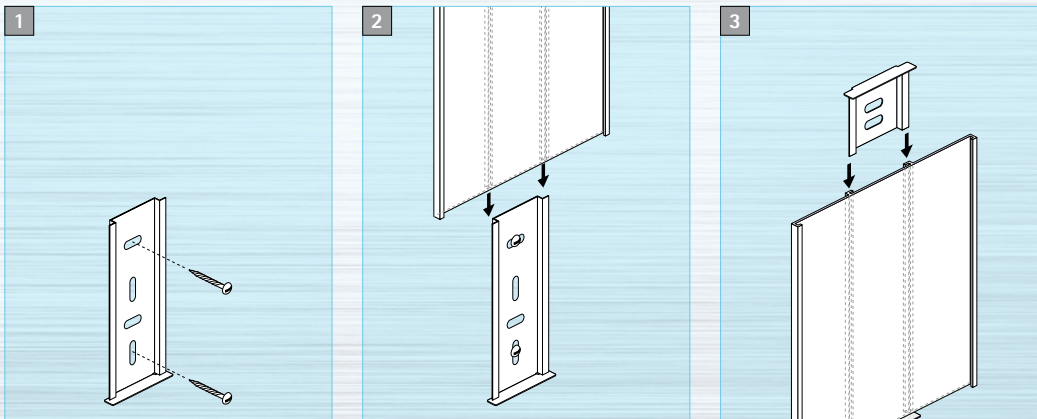
Intelligent and discrete Oslo convinces by design and functionality. Two adapters made of stainless steel are used for mounting and hold the paper inlay in place in the aluminium sign base. Text inlays can be produced and replaced by the user himself.

Sign size		Information area	Art. No.		
height x width in mm		height x width in mm			
73 x 151	Door sign 75	73 x 144	i 2601		
103 x 151	DIN A6 landscape	103 x 144	i 2616		
148 x 151	Door sign 150	148 x 144	i 2600		
210 x 151	DIN A5 portrait	210 x 144	i 2605		
148 x 213	DIN A5 landscape	148 x 206	i 2615		
148 x 300	Safety sign	148 x 293	i 2630		
297 x 213	DIN A4 portrait	297 x 206	i 2604		
210 x 300	DIN A4 landscape	210 x 293	i 2614		
420 x 300	DIN A3 portrait	420 x 293	i 2603		

Oslo Door Sign / Directory for wall mounting



Installation



1 Fasten the lower installation bracket to the wall with two screws*.
Recommendation: Pan head, 3.5 x 40 mm.

2 Slide the sign base onto the bracket.

3 Slide the upper bracket into the guides on the back of the sign base.

* Assembly material for wall mounting (screws and dowels) not included in delivery.

Oslo Table-top sign

mounted on stainless steel angle



Sign size	Information area	Art. No.	
height x width in mm	height x width in mm		
73 x 151	73 x 144	i 2610	

Universal display „free | engaged“

NEW

Multitalent & all-rounder - the universal free | engaged display can be used in various situations: on flat or convex signs (in all formats), on table displays, confidentiality displays or simply directly on the door.

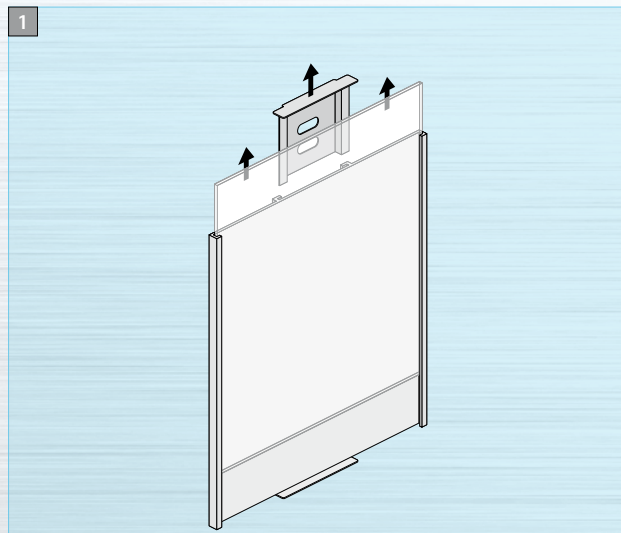
Technical data:

The main body is made of transparent PMMA (format 46 x 46 x 5 mm). Switching between "free" or "engaged" is a simple matter of turning over the red or green surface. Delivery includes adhesive dots.

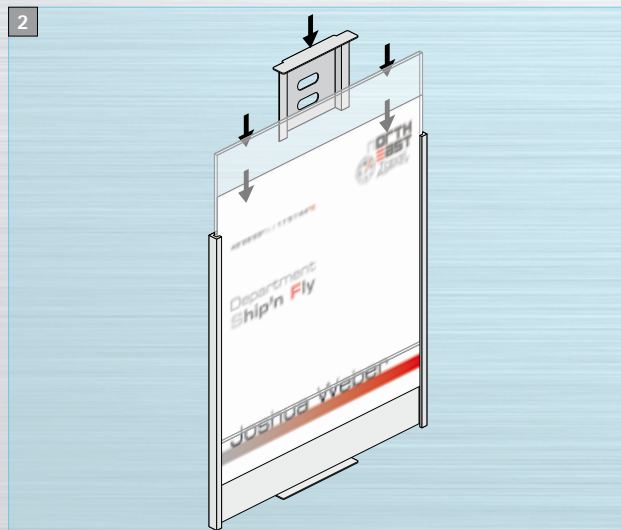


Name	Art. No.		
Universal display free engaged	i universalfb		

Inserting the sign information



Slide the acrylic cover out of the sign base together with the upper bracket.



Insert the paper and then fit the acrylic cover and the bracket back in place again.

Oslo Paper inlays, sign information and accessories

Paper inlays *		Art. No.	Art. No.	Unit pack		
Format height x width in mm		pure white	silver			
72,75 x 147,5	for door sign 75	i 2601 - 100P **	i 2601 - 100P **	10 items		
		i 2601 - 0P **	i 2601 - 0P **	50 items		
102,5 x 147,5	for DIN A6	i 2616 - 100P **	i 2616 - 100P **	10 items		
		i 2616 - 0P **	i 2616 - 0P **	50 items		
147,5 x 147,5	for door sign 150	i 2600 - 100P **	i 2600 - 100P **	10 items		
		i 2600 - 0P **	i 2600 - 0P **	50 items		
209,5 x 147,5	for DIN A5	i 2605 - 100P **	i 2605 - 100P **	10 items		
		i 2605 - 0P **	i 2605 - 0P **	50 items		
147,5 x 296,5	for safety signs	i 2630 - 0P **	i 2630 - 0P **	10 items		
296,5 x 209,5	for DIN A4	i 2604 - 0P	i 2604 - 0P	10 items		
421,5 x 296,5	for DIN A3	i 2603 - 0P	i 2603 - 0P	5 items		

* Paper inlays are supplied in pure white or silver, blank for self-printing with laser or inkjet printers.

** Punched on DIN A4 sheet.

Accessories / Pictograms	Dim. in mm	Art. No.	
Design templates incl. Pictograms and free installation file „Inkscape“		i vorlagen	
Pictograms, design Otl Aicher, single-color on white paper	147,5 x 147,5		
Emergency / Fire safety symbols (Laser-printed on white paper)	147,5 x 147,5		
	147,5 x 296,5		
Emergency / Fire safety symbols, photoluminescent	147,5 x 147,5		
	147,5 x 296,5		



Extract from a wide range. For further Otl Aicher pictograms, please refer to page 94 onwards. For a selection of Emergency / Fire safety symbols, please refer to www.moedel.de. For sign information in Braille / tactile lettering, please refer to page 92 onwards.

Galerie Outdoor stand

NEW


An up-to-date presentation – thanks to its elegant appearance the Galerie outdoor stand goes perfectly with any architecture.

Technical data:

Each side has two satined ESG - discs 1000 x 1000 x 6 mm that serve as information panels. These are attached to the side posts made of aluminium in anodized silver (66 x 66 mm, 2000 mm above the corridor) using stainless steel spacing elements (Ø 22 mm | 15 mm gap). The posts are elongated by 500 mm and used for mounting in a sleeve foundation. Details of the foundation plan and structural calculations can be found on page 96.

Sign size	Art. No.
height x width x depth in mm	
2000 x 1000 x 108	i galoutdoor2000.1000

Galerie Ground-mounted spotlights

NEW


For outdoor use, incl. illuminant. Please have a look on page 90 for detailed information.

Name	visible format	installation depth	up to the height of	output	Art. No.
	in mm	in mm			
swivelling floodlights „circle 1“	Ø 215	225	2 m	75 W	i leucht1
asymmetrical floodlights „circle 2“	Ø 265	220	3 m	70 W	i leucht2
asymmetrical floodlights „square“	120 x 1000	110	2 m	21 W	i leucht3
swivelling ground spotlight „flexi“	Ø 250	-	2,5 m	70 W	i leucht4
spike for the spotlight	l 250	250	-	-	i spieß



Galerie Indoor stand

The Galerie indoor stands can be found anywhere where information should be presented elegantly.

1 Version 1

Technical data:

Each side has two satined ESG - discs 750 x 500 x 6 mm that serve as information panels that are mounted on to circumferential frames made of aluminium in anodized silver using stainless steel spacing elements (Ø 22 mm | 15 mm gap). The base plates that are attached flush to the frames are painted in RAL 9007 silver.

Sign size	Information area	Art. No.	
height x width x depth in mm			
1500 x 500 x 80	2 x 750 x 500 mm	i_galstele1500.500	

2 Version 2

Technical data:

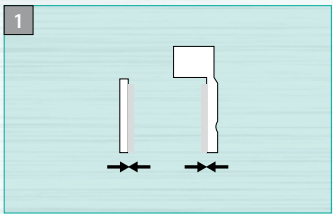
The information panel made of acrylic in the format 1800 x 500 x 20 mm is mounted between an aluminium stand 6 mm thick. The base in the format 200 x 200 mm (per side) is painted in titanium grey with soft-touch paint. Two screws support the information panel.

Sign size	Sign panel	Art. No.	
height x width in mm			
1800 x 500	1 x 20 mm clear acrylic	i_galinnen1800.500	
1800 x 500	1 x 20 mm acrylic satin	i_galinnens1800.500	

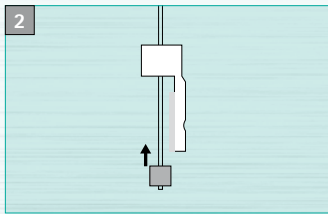
Galerie Directory for suspending from the ceiling



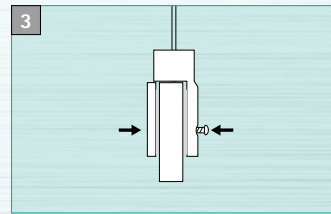
Installation and sign information



1 Stick the sponge rubber spacers to the inside of the clamps to protect the glass panel. Make sure that they are positioned correctly: Allow for the projection of the screw.

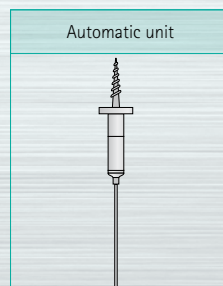
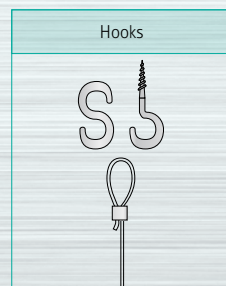
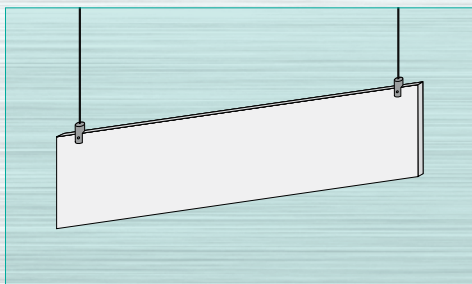


2 Fit a press-on lug to the end of the cord and pull the steel cord through the clamp.



3 Fit the clamp to the glass panel and screw together.

The sign can be fastened to the ceiling either with conventional hooks or an automatic ceiling fastening system. The automatic device permits the sign to be adjusted retroactively so that if it is not straight or there are any differences in the length of the cord, these can be corrected with ease.



Glass panels for suspended installation

Glass / Material	Sign size	Holes (Ø 10 mm)	Art. No.
	height x width in mm	per panel	
6 mm safety glass	148 x 297	2 holes	i 7720 E6
	150 x 600	2 holes	i 7714 E6
	200 x 800	2 holes	i 7716 E6
6 mm acrylic	148 x 297	2 holes	i 7720 A6
	150 x 600	2 holes	i 7714 A6
	200 x 800	2 holes	i 7716 A6

Fastening material for suspended installation

Fastening material	Art. No.	
Clamps for 6 mm material thickness	i 7730 *	
Clamps for 12 mm material thickness	i 7731 *	
Reel of steel cord (Ø 1,5 mm)	10 m	i 7940-10
	30 m	i 7940-30
	50 m	i 7940-50
Press-on lugs	i 7941 **	
Automatic unit (instead of hooks)	i 7732 ***	



Hooks are not included in delivery.

* Including screws and sponge rubber spacers for protection between the glass and the clamp. Two clamps are required for each suspended sign.

** Two press-on lugs are required for each suspended sign if an automatic unit is used; if hooks are used, four press-on lugs are required for each suspended sign.

*** Two automatic units are required for each suspended sign. The automatic unit is described on page 93.

Galerie Directory for projecting

NEW

„Outstanding and extravagant“



Technical data:

The stainless steel adapter consists of two base supports (Ø 18 x 200 & Ø 18 x 38 mm) that are mounted on the wall. A cross strut Ø 10 x 194 mm connects the base supports. The information panel made of ESG in the format 180 x 180 x 6 mm has two holes Ø 5 mm and is attached to the lower base supports using 2 glass holders.

Directory for projecting	Art. No.
Stainless steel adapter and safety glass 180 x 180 x 6 mm incl. screws and dowels	i galfahne

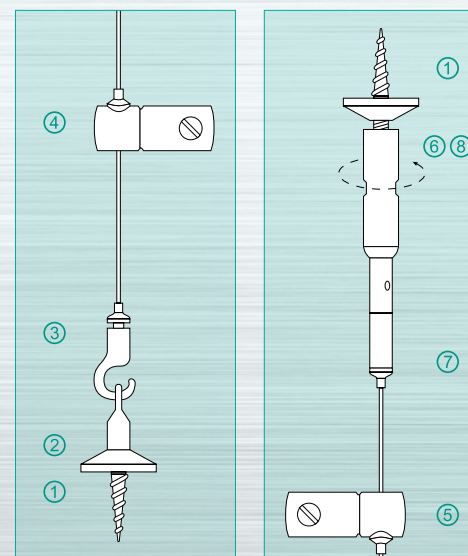
Galerie Cord tensioning set

One cord tensioning set must be ordered per sign system as a whole (possibly several signs one above the other), whereas the clamps are required for each individual sign. In addition, you will also require the steel cord from our range of products (Art. No. i7940-x).

Fastening material for cord tensioning	Art. No.
Cord tensioning set (without cord) incl. 2 ceiling/floor fasteners each	i 7735
Clamp for 6 mm cord fastener for acrylic glass of up to 1 m ² , for glass up to 0.5 m ² (comprising 2 items each, left/right)	i 7736
Clamp for 12mm cord fastener for acrylic glass of up to 1 m ² , for glass up to 0.3 m ² (comprising 2 items each, left/right)	i 7737

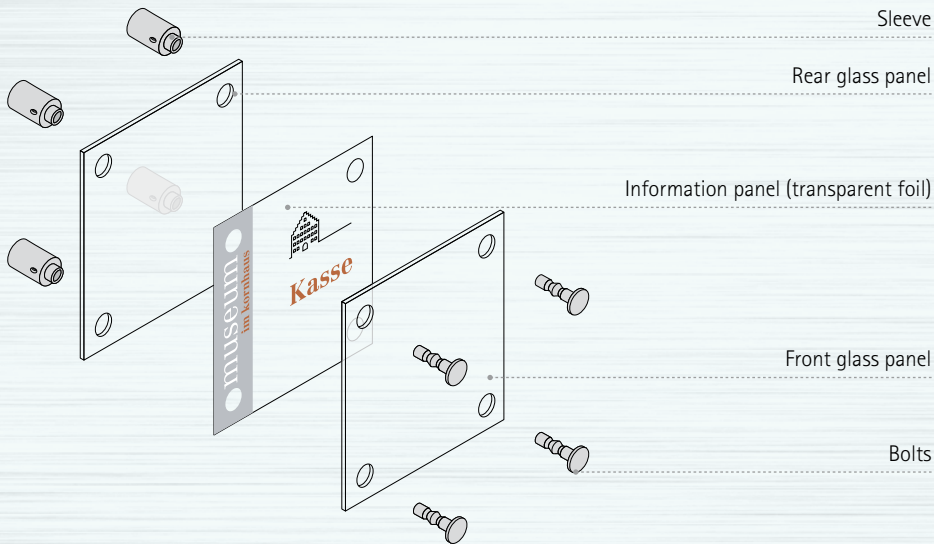
Accessories	Art. No.	
Reel of steel cord (Ø 1,5 mm)	10 m	i 7940-10
	30 m	i 7940-30
	50 m	i 7940-50

Installation



- ① Screw the floor and ceiling plates onto the correctly positioned floor screws.
- ② Screw the lugs onto the floor screws.
- ③ Cut the cord to length and fasten it to the locking device with a grub screw and attach to the floor fastener with the hook.
- ④ Attach the lower clamp to the sign and lock at the correct height with the grub screw.
- ⑤ Attach the upper clamp to the sign and lock at the correct height with the grub screw.
- ⑥ Fasten the ceiling tensioner loosely to the upper floor screw, with play.
- ⑦ Insert the cut-to-length cord in the automatic plugin-unit.
- ⑧ To tension the entire system, tighten the ceiling tensioner on the floor screw on the ceiling.

Galerie Door sign for wall mounting



Door signs in complete set

A door sign consists of 2 panels toughened safety or crystal glass; inclusive 4 stainless steel spacers: Ø 14 mm, 15 mm space to wall.

Format	Glass	Spacers	Art. No.
in mm			
3 mm crystal glass			
150 x 150	2 x 3 mm	4 x i 7324	i 7701k
4 mm toughened safety glass			
150 x 150	2 x 4 mm	4 x i 7324	i 7701e

Galerie Glass for wall mounting

Sign size glass		Holes per panel	Art. No.
height x width in mm		(Ø 10 mm)	
3 mm crystal glass			
160 x 100	NEW		see table „toughened safety glass“
150 x 150		2 holes	i 7700 K3 *
150 x 150		4 holes	i 7701 K3 *
200 x 130		2 holes	i 7702 K3 **
200 x 130		4 holes	i 7703 K3 **
148 x 210	DIN A5	4 holes	i 7704 K3 **
148 x 297		4 holes	i 7705 K3 **
200 x 200		4 holes	i 7722 K3 **
210 x 297	DIN A4	4 holes	i 7706 K3 **
4 mm toughened safety glass			
160 x 100	NEW	2 holes	i 7723 E4
150 x 150		2 holes	i 7700 E4 *
150 x 150		4 holes	i 7701 E4 *
200 x 130		2 holes	i 7702 E4
200 x 130		4 holes	i 7703 E4
148 x 210	DIN A5	4 holes	i 7704 E4
148 x 297		4 holes	i 7705 E4
200 x 200		4 holes	i 7722 E4
210 x 297	DIN A4	4 holes	i 7706 E4
297 x 420	DIN A3	4 holes	i 7719 E4

Galerie Door sign for wall mounting

Sign size glass		Holes per panel	Art. No.		
height x width in mm		(Ø 10 mm)			
6 mm toughened safety glass					
400 x 400		4 holes	i 7708 E6		
594 x 420	DIN A2	4 holes	i 7721 E6		
600 x 600		4 holes	i 7709 E6		
750 x 500		4 holes	i 7710 E6		
1000 x 1000		4 holes	i 7711 E6		
3 mm acrylic					
150 x 150		4 holes	i 7701 A3		
200 x 130		4 holes	i 7703 A3		
148 x 210	DIN A5	4 holes	i 7704 A3		
148 x 297		4 holes	i 7705 A3		
200 x 200		4 holes	i 7722 A3		
210 x 297	DIN A4	4 holes	i 7706 A3		
6 mm acrylic					
150 x 150		2 holes	i 7700 A6 ***		
150 x 150		4 holes	i 7701 A6 ***		
148 x 210	DIN A5	4 holes	i 7704 A6 ***		
210 x 297	DIN A4	4 holes	i 7706 A6 ***		
297 x 420	DIN A3	4 holes	i 7719 A6 ***		

* Minimum order 10 items.

** While stock lasts - once sold we will automatically deliver toughened safety glass quality (4 mm).

*** While stock lasts.

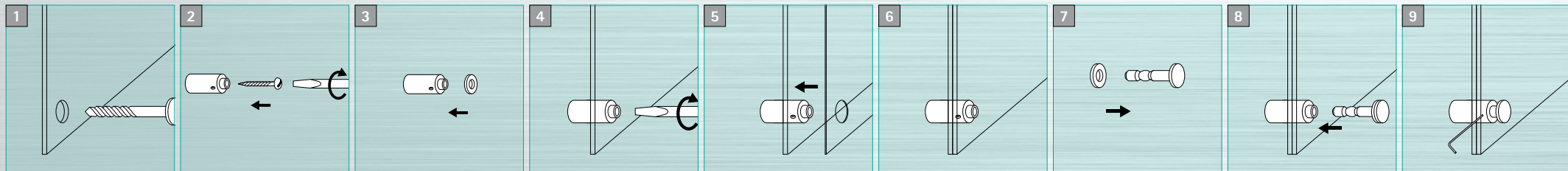
Fastening material for wall mounting

Material thickness	Space to wall	Diameter	Art. No.		
... for screwing					
6 - 8 and 12 mm	25 mm	Ø 14 mm	i 7320		
6 - 8 and 12 mm	25 mm	Ø 22 mm	i 7321 *		
6 - 8	15 mm	Ø 14 mm	i 7324		
6 - 8	15 mm	Ø 22 mm	i 7322 *		
10 - 12 mm	15 mm	Ø 22 mm	i 7323 *		
... with round adhesive plates for gluing to flat					
6 - 8 and 12 mm	25 mm	Ø 14 mm	i 7320klebe *		
6 - 8	15 mm	Ø 14 mm	i 7324klebe *		

The stainless steel spacers are only available in unit packs of 10 items. They are only delivered in sealed unit packs.

* Available as single items

Wall mounting



1 Use the glass panel as an assembly template. After you have marked the holes, remove the glass panel from the wall and drill the holes in the wall as precisely as possible.

2 Insert the dowels* then tighten the spacer only lightly for the moment through the front opening.

3 Before you fit the first glass panel, place one of the supplied foam rings on the neck of the spacer.

4 Fit the rear glass panel. Adjust the spacer to the correct position with the glass panel and then tighten the wall screws*.

5 After you have fitted the first panel, insert the information panel so that the pre-punched holes fit over the necks of each of the hardware elements.

6 Fit the front glass panel.

7 Fit the second sponge rubber spacers on the bolts.

8 Now insert the bolts into the sleeves.

9 Lock the bolt in the sleeve with the side assembly screw. This presses the glass panels together.

* Assembly material for wall mounting (screws and dowels) not included in delivery.

Galerie Table-top sign



Glass / Material	Sign size	Holes (Ø 10 mm)	Art. No.
	height x width in mm	per glass panel	
3 mm crystal	75 x 150	2 holes	i 7718 K3

Accessories	Art. No.
Matching stainless steel feet	i 7320 *

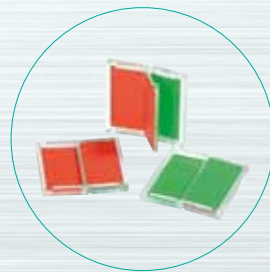
* Two stainless steel feet are required per table-top sign.

Universal display „free | engaged“

Multitalent & all-rounder - the universal free | engaged display can be used in various situations: on flat or convex signs (in all formats), on table displays, confidentiality displays or simply directly on the door.

Technical data:

The main body is made of transparent PMMA (format 46 x 46 x 5 mm). Switching between “free” or “engaged” is a simple matter of turning over the red or green surface. Delivery includes adhesive dots.



Name	Art. No.
Universal display free engaged	i universalfb

Galerie Sign information, pictograms and accessories

for sign size	Holes (Ø 10 mm)	Art. No.	Art. No.
height x width in mm		1 UP = 10 items	1 UP = 100 items

Transparent foil, blank, for self-printing with a laser printer **

75 x 150	2 holes	i 7269lv10 *	i 7269lv100 *
160 x 100	2 holes	i 7275lv10 *	i 7275lv100 *
150 x 150	2 holes	i 7260lv10 *	i 7260lv100 *
150 x 150	4 holes	i 7261lv10 *	i 7261lv100 *
200 x 130	2 holes	i 7262lv10 *	i 7262lv100 *
200 x 130	4 holes	i 7263lv10 *	i 7263lv100 *
148 x 210 (DIN A5)	4 holes	i 7264lv10 *	i 7264lv100 *
148 x 297	4 holes	i 7265lv10 *	i 7265lv100 *
200 x 200	4 holes	i 7270lv10 *	i 7270lv100 *
210 x 297 (DIN A4)	4 holes	i 7266lv10	i 7266lv100
297 x 420 (DIN A3)	4 holes	i 7267lv10	i 7267lv100

Opal glass foil, blank, for self-printing with a laser printer **

160 x 100	2 holes	i 7278lv10 *	i 7278lv100 *
150 x 150	4 holes	i 7271lv10 *	i 7271lv100 *
200 x 130	2 holes	i 7272lv10 *	i 7272lv100 *
200 x 130	4 holes	i 7273lv10 *	i 7273lv100 *
148 x 210 (DIN A5)	4 holes	i 7274lv10 *	i 7274lv100 *
210 x 297 (DIN A4)	4 holes	i 7276lv10	i 7276lv100

* Punched on DIN A4 sheet.

** Special size transparent/opal glass foils are also available on request

for sign size height x width in mm	Holes (Ø 10 mm)	Art. No.
------------------------------------	-----------------	----------

Pictogram design Otl Aicher (black on transparent foil)

150 x 150	2 or 4 holes	
200 x 130	2 or 4 holes	
148 x 297	4 holes	

Emergency / Fire safety symbols (laser-printed on transparent foil)

150 x 150	2 or 4 holes	
148 x 297	4 holes	

Emergency / Fire safety symbols (photoluminescent)

150 x 150	2 or 4 holes	
148 x 297	4 holes	

Accessories

Design templates incl. Pictograms and free installation file „Inkscape“	i vorlagen
---	------------

Information

Crystall glass	Acrylic Panel	Toughened safety glass
Description: Cast, comparable with glazing glass, chamfered edges	Description: Colorless plastic PMMA XT, polished edges	Description: Toughened safety glass, treated genuine glass, chamfered edges
Advantages: Low-cost, high-quality appearance	Advantages: Low-cost, impact-resistant, easy to install	Advantages: High-quality appearance, minimum risk of injury, splinters not sharp edged
Disadvantages: Breaks in dagger-like pieces and sharp-edged	Disadvantages: Static charging (soiling), not scratch-resistant	Disadvantages: More expensive, longer delivery times for special sizes
Example of applications: Office buildings, administrative areas	Examples of applications: Schools, industrial companies	Examples of applications: Buildings with high visitor numbers, hospitals



Extract from a wide range. For further Otl Aicher pictograms, please refer to page 94 onwards. For a selection of Emergency / Fire safety symbols, please refer to www.moedel.de. For sign information in Braille / tactile lettering, please refer to page 92 onwards.

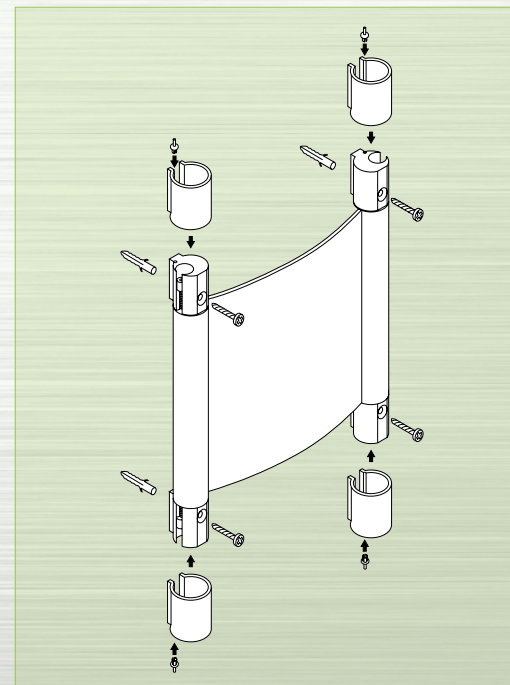
Sydney Directory for wall mounting - non paperflexible



Sign size	Information area	Art. No.
height x width in mm	height x width in mm	
830 x 319	750 x 297	i 96308
830 x 442	750 x 420	i 96408
1080 x 442	1000 x 420	i 96410
830 x 616	750 x 594	i 96608
1080 x 616	1000 x 594	i 96610
1080 x 862	1000 x 840	i 96810
1330 x 862	1250 x 840	i 96813

Special sizes on request.

Installation



1. Remove all four covers. These are secured by expanding rivets.
2. Mark the points to be drilled through the wall fasteners.
3. Drill the holes, insert the dowels and screw the wall fasteners to the wall.
4. Fit the covers and secure with the expanding rivets.

Sydney Directory for suspending from the ceiling

for sign information on both sides, including two 1.5 m steel cords and press-on lugs.



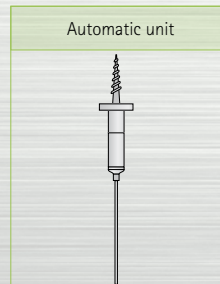
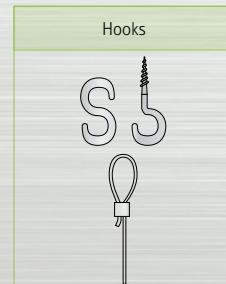
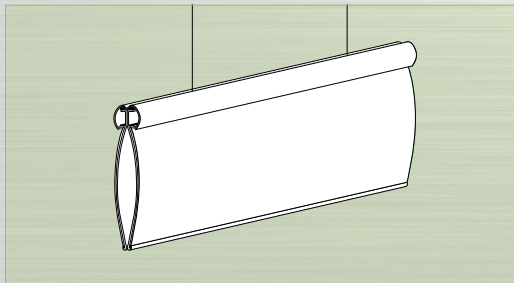
Sign size	Information area	Art. No.	
height x width in mm	height x width in mm		
167 x 600	134 x 600	i 9601	

Accessories		Art. No.	
Automatic unit	(instead of hooks)	i 7732 *	

* Two automatic units are required per sign. The automatic unit is described on page 93.

Installation and sign information

The sign can be fastened to the ceiling either with conventional hooks or an automatic ceiling fastening system. The automatic device permits the sign to be adjusted retroactively so that if it is not straight or there are any differences in the length of the cord, these can be corrected with ease.



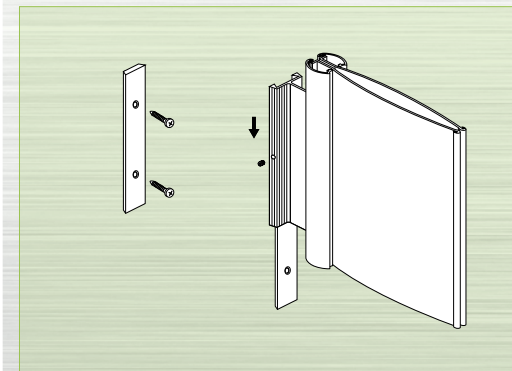
Sydney Directory for projecting

for sign information on both sides, including adapter.



Sign size	Information area	Art. No.	
height x width in mm	height x width in mm		
148 x 167	148 x 134	i 9610	
148 x 320	148 x 287	i 9614	

Installation and sign information



The adapter consists of a mounting base profile and an adapter profile in anodized silver. The base profile is attached to the wall using two screws*. A grub screw at the side secures the slid over adapter, on which the signs are attached on both sides.

* Assembly material for wall mounting (screws and dowels) not included in delivery.

Sydney Door Sign / Directory for wall mounting



Sign size	Information area	Art. No.		
height x width in mm	height x width in mm			
148 x 167	148 x 134	i 9600		
297 x 233 (DIN A4 portrait)	297 x 200	i 9604		
210 x 320 (DIN A4 landscape)	210 x 287	i 9624		
420 x 320 (DIN A3 portrait)	420 x 287	i 9603		

Special sizes on request: Please note that only the height of the profile is flexible; no special width possible.

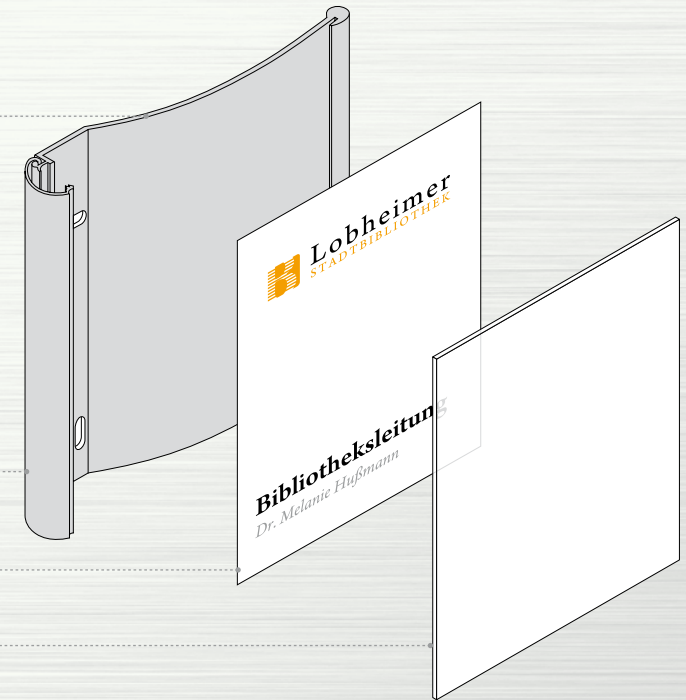
Installation

Sign base
silver-anodized

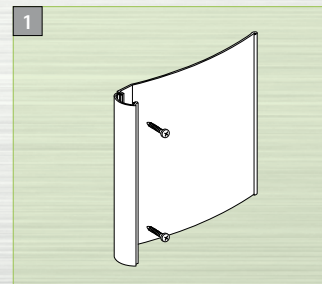
Clip profile
silver-anodized

Paper inlay

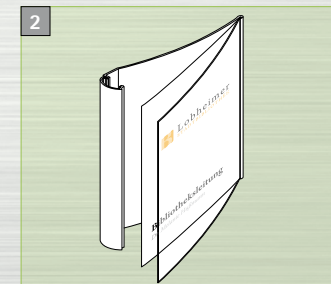
Non-reflective cover



Installation and insertion of the sign information



Swing open the clip profile and remove the PVC cover panel. Insert the dowels and then align and fix the sign in the desired position with two screws.



Then position the printed paper inlay and slide it into the groove with the cover panel.



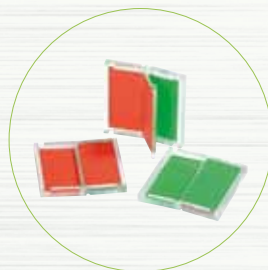
Close the clip profile.

Universal display „free | engaged“

Multitalent & all-rounder – the universal free | engaged display can be used in various situations: on flat or convex signs (in all formats), on table displays, confidentiality displays or simply directly on the door.

Technical data:

The main body is made of transparent PMMA (format 46 x 46 x 5 mm). Switching between “free” or “engaged” is a simple matter of turning over the red or green surface. Delivery includes adhesive dots.



Name	Art. No.		
Universal display free engaged	i universalfb		

Sydney Sign information, pictograms and accessories

Paper inlays *		Art. No.	Art. No.	UP	
Format height x width in mm		graywhite RAL 9002	silver		
148 x 144	Door sign	i 9600 - 100P **		10 items	
148 x 144	Door sign	i 9600 - 500P **	i 9600 - 500SP **	50 items	
148 x 297	for Projecting	i 9614 - 0P	i 9614 - 0SP	10 items	
297 x 210	for DIN A4	i 9604 - 0P	i 9604 - 0SP	10 items	
420 x 297	for DIN A3	i 9603 - 0P	i 9603 - 0SP	5 items	

* Paper inlays are supplied in RAL 9002 gray-white as standard, blank for self-printing with a laser or ink-jet printer.

** Punched on DIN A4 sheet.



Accessories / Pictograms	Dim. in mm	Art. No.	
Design templates incl. Pictograms and free installation file „Inkscape“		i vorlagen	
Pictograms, design Otl Aicher, single-color on white paper	148 x 144	i 96pikto	
Emergency / Fire safety symbols (Laser-printed on white paper)	148 x 144		
	148 x 297		
Emergency / Fire safety symbols, photoluminescent	148 x 144		
	148 x 297		

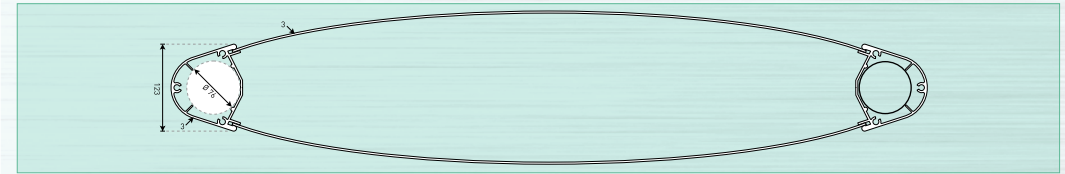


Extract from a wide range. For further Otl Aicher pictograms, please refer to page 94 onwards. For a selection of Emergency / Fire safety symbols, please refer to www.moedel.de. For sign information in Braille / tactile lettering, please refer to page 92 onwards.

Frankfurt Outdoor stands

Robust and representative the outdoor stand Frankfurt welcomes guests.

The Frankfurt outdoor stand comprises two silver anodized aluminium profiles (3 mm thick) and two convex curved aluminium composite panels (painted in RAL 9016 traffic white or RAL 9006 aluminium white). Profiles and lettering area are permanently connected together by the cover and the base plate (both painted in RAL 7015 slate-gray). This simple means of installing the stand is rounded off with the 500 mm longer galvanized steel tubes (Ø 74 mm) included in delivery. Information about the foundation plan and structural calculations can be found on page 96.



Sign size	Information area	Art. No.	Art. No.		
height x width in mm	height x width in mm	RAL 9016	RAL 9006		
		traffic white	silver		
1500 x 1085	1500 x 890	i 2160	i 2160 F18		
2000 x 1085	2000 x 890	i 2161	i 2161 F18		
2500 x 1085	2500 x 890	i 2162	i 2162 F18		
3000 x 1085	3000 x 890	i 2163	i 2163 F18		
3500 x 1085	3500 x 890	i 2164	i 2164 F18		
2000 x 1326	2000 x 1140	i 2171	i 2171 F18		
2500 x 1326	2500 x 1140	i 2172	i 2172 F18		
3000 x 1326	3000 x 1140	i 2173	i 2173 F18		
2000 x 1572	2000 x 1390	i 2181	i 2181 F18		
2500 x 1572	2500 x 1390	i 2182	i 2182 F18		
3000 x 1572	3000 x 1390	i 2183	i 2183 F18		

Frankfurt Ground-mounted spotlights

NEW

For outdoor use, incl. illuminant. Please have a look on page 90 for detailed information.



Name	visible format	installation depth	up to the height of	output	Art. No.	
	in mm	in mm				
swivelling floodlights „circle 1“	Ø 215	225	2 m	75 W	i leucht1	
asymmetrical floodlights „circle 2“	Ø 265	220	3 m	70 W	i leucht2	
asymmetrical floodlights „square“	120 x 1000	110	2 m	21 W	i leucht3	
swivelling ground spotlight „flexi“	Ø 250	-	2,5 m	70 W	i leucht4	
spike for the spotlight	l 250	250	-	-	i spieß	

Frankfurt Indoor stands

Versatility and consistency – this is what the Frankfurt indoor stand represents. The double sided sign information surfaces have space for permanent or flexible information. With the option of lighting on the inside, this stand cannot be overlooked.

Technical data:

The information panel made of 2mm white plastic and the fitting non-reflective covers made of 1mm PVC are held in place by the interior grooves of the aluminium profiles in anodized silver. Covers and base plates are in slate gray (RAL 7015) as standard. The sign information can be applied either with plotter lettering, paper inlays or digital printing.



Sign size	Information area	Art. No.	Art. No.		
height x width mm	height x width in mm	non-illuminated	illuminated		
1500 x 380	1500 x 297 (DIN A4 horz)	i 2121			
1800 x 500	1800 x 240 (DIN A3 horz)	i 2120	i 2123 *		
2000 x 675	2000 x 594 (DIN A2 horz)	i 2119	i 2124 *		

* Included in the delivery: information panels made of acrylic opal white und 1 running LED – light display incl. plug.

The delivery is in the form of a construction kit. A detailed assembly instruction is included in the delivery.

Special sizes on request.

Frankfurt Directory for suspending from the ceiling

for sign information on both sides, including two 1.5 m steel cords and press-on lugs



Sign size	Information area	Art. No.	
height x width in mm	height x width in mm		
155 x 297	143 x 297	i 2140	
155 x 600	143 x 600	i 2141	

Accessories		Art. No.	
Automatic unit	(instead of hooks)	i 7732 *	

* Two automatic units are required per sign. The automatic unit is described on page 93.

Installation and sign information

The sign can be fastened to the ceiling either with conventional hooks or an automatic ceiling fastening system. The automatic device permits the sign to be adjusted retroactively so that if it is not straight or there are any differences in the length of the cord, these can be corrected with ease.



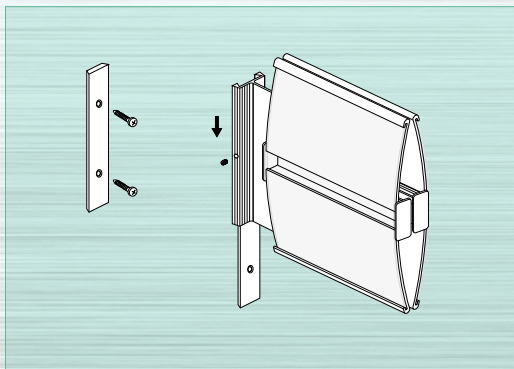
Frankfurt Directory for projecting

for sign information on both sides, including adapter.



Sign size	Information area	Art. No.	
height x width in mm	height x width in mm		
155 x 148	155 x 143	i 2150	

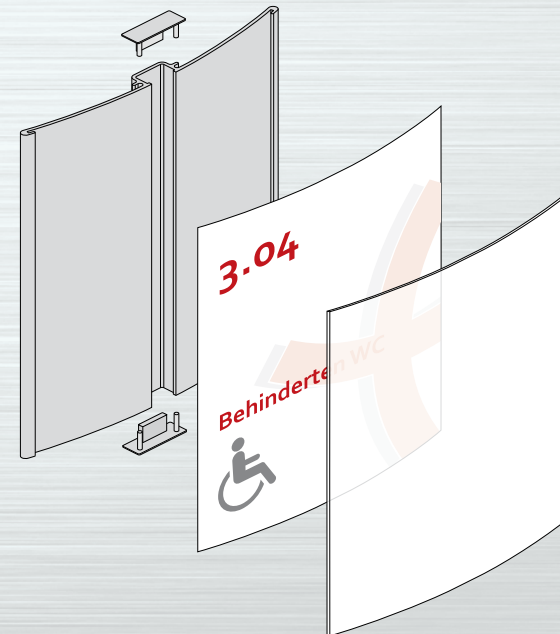
Installation and sign information



The adapter consists of a mounting base profile and an adapter profile in anodized silver. The base profile is attached to the wall using two screws*. A grub screw at the side secures the slid over adapter, on which the signs are attached on both sides.

* Assembly material for wall mounting (screws and dowels) not included in delivery.

Frankfurt Door Sign / Directory for wall mounting

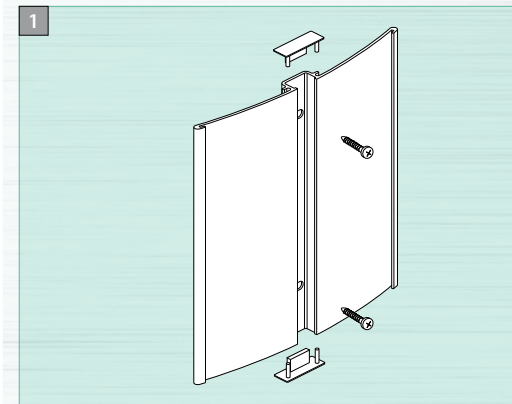


Sign size	Information area	Art. No.		
height x width in mm	height x width in mm			
120 x 120	120 x 108,5	i 2100		
148 x 120 DIN A6	148 x 108,5	i 2115		
148 x 120 DIN A6	148 x 108,5	i 2115ex *		
148 x 155	148 x 143	i 2148		
148 x 155	148 x 143	i 2148ex *		
210 x 155 DIN A5	210 x 143	i 2105		
297 x 230 DIN A4 portrait	297 x 201,5	i 2104		
210 x 317 DIN A4 landscape	210 x 289,5	i 2114		
420 x 317 DIN A3 portrait	420 x 289,5	i 2103		
297 x 440 DIN A3 landscape	297 x 401,5	i 2113		
594 x 441,5 DIN A2	584 x 401,5	i 2102		

* Without gray plastic caps.

Special sizes on request: Please note that only the height of the profile is flexible; no special widths possible.

Installation



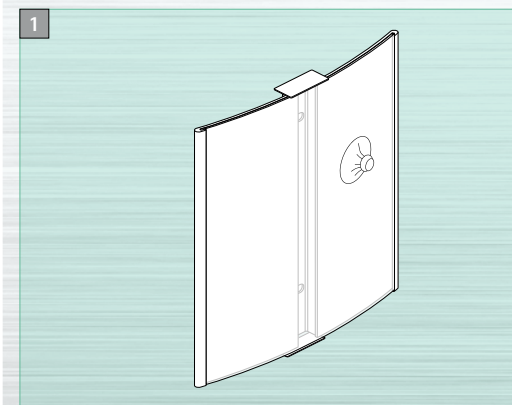
If the caps are not fixed to the sign yet, insert them into the profile at the top and bottom. Make sure that the guide pins don't tilt. For wall mounting and putting in or taking out the sign information you do not need to remove the caps. The doorplate or signpost is attached to the wall with two screws*.



Insert the printed paper inlay and then insert the cover in one side of the door sign before closing the door sign by pressing the cap on the opposite side into the profile.

* Assembly material for wall mounting (screws and dowels) not included in delivery.

Inserting the sign information



Remove the PVC cover by pressing the supplied suction cap onto the panel and pulling the cover towards you.



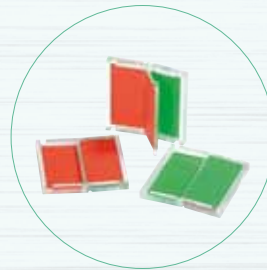
Now you can insert the printed paper inlay and then insert the cover in one side of the door sign before closing the door sign by pressing the cap on the opposite side into the profile.

Universal display „free | engaged“

Multitalent & all-rounder – the universal free | engaged display can be used in various situations: on flat or convex signs (in all formats), on table displays, confidentiality displays or simply directly on the door.

Technical data:

The main body is made of transparent PMMA (format 46 x 46 x 5 mm). Switching between “free” or “engaged” is a simple matter of turning over the red or green surface. Delivery includes adhesive dots.



Name	Art. No.		
Universal display free engaged	i universalfb		

Frankfurt Paper inlays, sign information und accessories

Paper inlays *	Sign information	Art. No.	Art. No.	UP		
Format height x width in mm		gray-white RAL 9002	silver			
119,5 x 114,5	for Door sign	i 2100 - 100P **		10 items		
		i 2100 - 0P **	i 2100 - 0SP **	50 items		
147,5 x 114,5	for Door sign and Table-top sign	i 2115 - 100P **		10 items		
		i 2115 - 0P **	i 2115 - 0SP **	50 items		
147,5 x 149	for Door sign	i 2148 - 100P **		10 items		
		i 2148 - 0P **	i 2148 - 0SP **	50 items		
209,5 x 149	for Door sign	i 2105 - 100P **		10 items		
		i 2105 - 0P **	i 2105 - 0SP **	50 items		
149 x 296,5	for Ceiling suspension	i 2130 - 0P		10 items		
296,5 x 209,5	for DIN A4	i 2104 - 0P	i 2104 - 0SP	10 items		
419,5 x 296,5	for DIN A3	i 2103 - 0P	i 2103 - 0SP	5 items		

* Paper inlays are supplied in gray-white RAL 9002 or silver, blank for self-printing with laser or inkjet printers.

** Punched on DIN A4 sheet.

Accessories / Pictograms	Dim. in mm	Art. No.	
Design templates incl. Pictograms and free installation file „Inkscape“		i vorlagen	
Pictograms, design Otl Aicher, single-color on white paper	147,5 x 114,5		
	147,5 x 149		
Emergency / Fire safety symbols (Laser-printed on white paper)	147,5 x 149		
	147,5 x 296,5		
Emergency / Fire safety symbols, photoluminescent	147,5 x 149		
	147,5 x 296,5		



Extract from a wide range. For further Otl Aicher pictograms, please refer to page 94 onwards. For a selection of Emergency / Fire safety symbols, please refer to www.moedel.de. For sign information in Braille / tactile lettering, please refer to page 92 onwards.



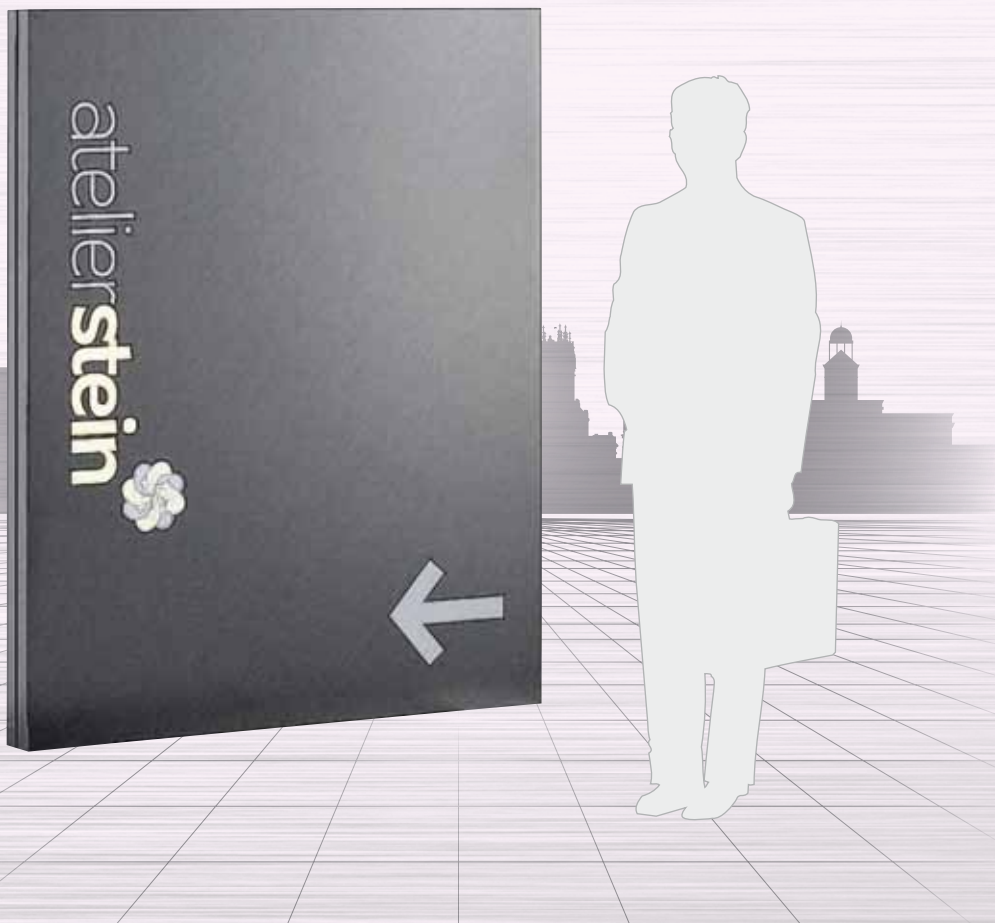
Madrid Black Line Outdoor stands

NEW

A charming welcome – the Madrid outdoor stand from the "Black Line" represents zeitgeist and taste.

Technical data:

The base body consists of black-anodized aluminium frame, which is cut to mitre and connected with angles in the inside. Additional connecting profiles in the inside arrange the necessary stability and serve the sign panel made of composite aluminium in RAL 9005 (matt) as enforcement. The overall depth is 80 mm. The standard means of installation is on side posts lengthened by 500 mm (steel 60 x 60 mm). Information about foundation plan and statics can be found on page 96.



Sign size	Information area	Art. No.		
height x width x depth in mm	height x width in mm			
portrait				
2000 x 730 x 80	1997,5 x 725,5	i 25outdoor2000.730f17		
2500 x 1000 x 80	2497,5 x 995,5	i 25outdoor2500.1000f17		
3000 x 1250 x 80	2997,5 x 1245,5	i 25outdoor3000.1250f17		
landscape				
1250 x 1800 x 80	1247,5 x 1795,5	i 25outdoor1250.1800f17		

Accessories	width x depth x height	Art. No.		
	in mm			
Base plate (steel)	250 x 250 x 10	i 25bopla		

Special sizes on request.

Madrid Ground-mounted spotlights

NEW


For outdoor use, incl. illuminant. Please have a look on page 90 for detailed information.

Name	visible format	installation depth	up to the height of	output	Art. No.	
	in mm	in mm				
swivelling floodlights „circle 1“	Ø 215	225	2 m	75 W	i leucht1	
asymmetrical floodlights „circle 2“	Ø 265	220	3 m	70 W	i leucht2	
asymmetrical floodlights „square“	120 x 1000	110	2 m	21 W	i leucht3	
swivelling ground spotlight „flexi“	Ø 250	-	2,5 m	70 W	i leucht4	
spike for the spotlight	l 250	250	-	-	i spieß	

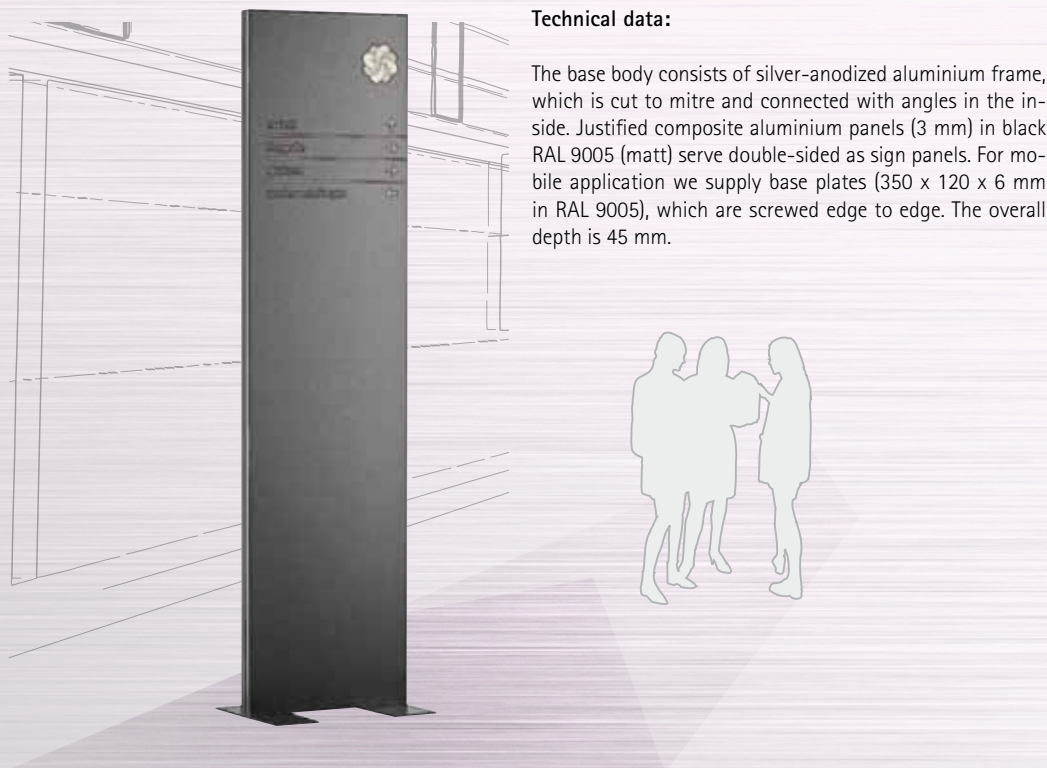
Madrid Black Line Indoor stands

NEW

Consistent understatement – this is the impression that the Madrid indoor stand from the “Black Line” leaves. The sign information can be applied flexibly on both sides by means of graphic text or paper with fitted exchanger modules*.

Technical data:

The base body consists of silver-anodized aluminium frame, which is cut to mitre and connected with angles in the inside. Justified composite aluminium panels (3 mm) in black RAL 9005 (matt) serve double-sided as sign panels. For mobile application we supply base plates (350 x 120 x 6 mm in RAL 9005), which are screwed edge to edge. The overall depth is 45 mm.



Sign size *	Information area	Art. No.		
height x width x depth in mm	height x width in mm			
1800 x 450 x 45	1795,5 x 445,5	i 25stele1800.450f17		
2000 x 600 x 45	1995,5 x 595,5	i 25stele2000.600f17		
2000 x 730 x 45	1995,5 x 725,5	i 25stele2000.730f17		

* We require a scale assembly drawing of the proposed free standing. Please note that the door signs/directories must be capable of being opened towards the side or the top to enable the sign information to be changed.

Special sizes on request.

Madrid Black Line Door Sign / Directory for wall mounting

Our special edition in black.

The frame consists of black anodized aluminium, the back panel is made of steel sheet in RAL 9006 as standard.

NEW


Sign size *	Information area	Art. No.		
height x width in mm	height x width in mm			
150,5 x 150,5 (Door sign 150)	144 x 144	i 2500f17		
299,5 x 212,5 (DIN A4)	293 x 206	i 2504f17		
422,5 x 299,5 (DIN A3)	416 x 293	i 2503f17		

* Opening on the short side (leg); the sign can be mounted lengthways or sideways.

Special sizes on request.

Madrid Gold Line Door Sign / Directory for wall mounting

Our special golden edition.

The frame consists of golden anodized aluminium, the back panel is made of steel sheet in RAL 9006.

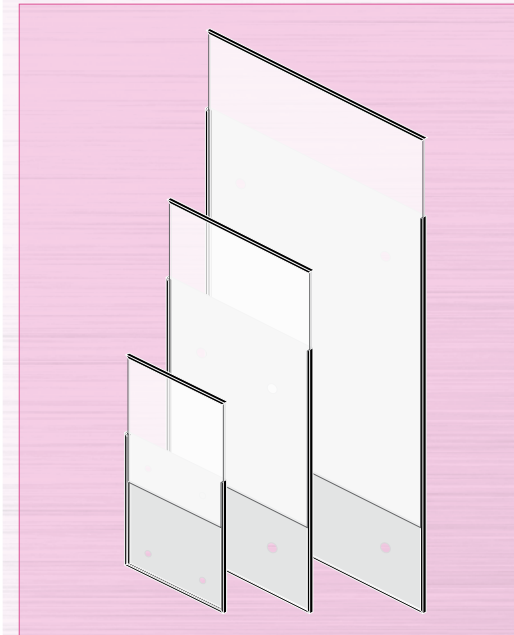


Sign size *	Information area	Art. No.		
height x width in mm	height x width in mm			
105,5 x 105,5 (Door sign 105)	99 x 99	i 2511f19		
150,5 x 150,5 (Door sign 150)	144 x 144	i 2500f19		
299,5 x 212,5 (DIN A4)	293 x 206	i 2504f19		
422,5 x 299,5 (DIN A3)	416 x 293	i 2503f19		

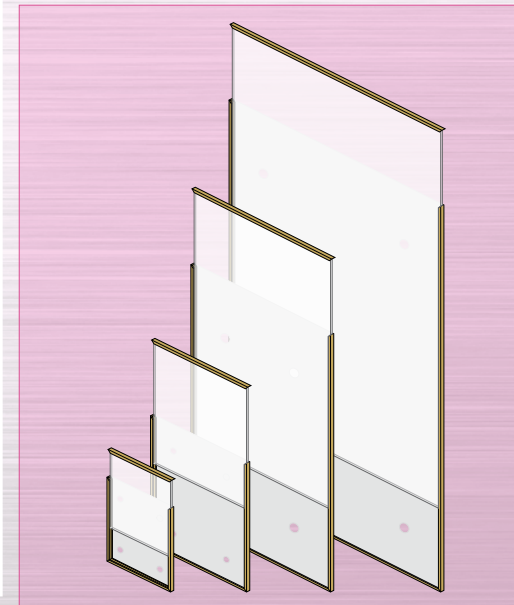
* Opening on the short side (leg); the sign can be mounted lengthways or sideways.

Special sizes on request.

Madrid Black Line Door Sign / Directory for wall mounting



Madrid Gold Line Door Sign / Directory for wall mounting



Madrid Outdoor stands

Upright and gallant is the lasting first impression that the Madrid outdoor stand leaves.

Technical data:

The base body consists of silver-anodized aluminium frame, which is cut to mitre and connected with angles in the inside. Additional connecting profiles in the inside arrange the necessary stability and serve the sign panel made of composite aluminium in silver RAL 9006 as enforcement. The overall depth is 80 mm.

The standard means of installation is on side posts lengthened by 500 mm (steel 60 x 60 mm).

Information about the foundation plan and structural calculations can be found on page 96.



Sign size	Information area	Art. No.		
height x width x depth in mm	height x width in mm			
portrait				
2000 x 730 x 80	1997,5 x 725,5	i 25outdoor2000.730		
2500 x 730 x 80	2497,5 x 725,5	i 25outdoor2500.730		
3000 x 730 x 80	2997,5 x 725,5	i 25outdoor3000.730		
2000 x 1000 x 80	1997,5 x 995,5	i 25outdoor2000.1000		
2500 x 1000 x 80	2497,5 x 995,5	i 25outdoor2500.1000		
3000 x 1000 x 80	2997,5 x 995,5	i 25outdoor3000.1000		
2000 x 1250 x 80	1997,5 x 1245,5	i 25outdoor2000.1250		
2500 x 1250 x 80	2497,5 x 1245,5	i 25outdoor2500.1250		
3000 x 1250 x 80	2997,5 x 1245,5	i 25outdoor3000.1250		
3750 x 1250 x 80 *	3747,5 x 1245,5	i 25outdoor3750.1250		
landscape				
1250 x 1800 x 80	1247,5 x 1795,5	i 25outdoor1250.1800		
1250 x 2000 x 80	1247,5 x 1995,5	i 25outdoor1250.2000		
1250 x 2500 x 80	1247,5 x 2495,5	i 25outdoor1250.2500		
1250 x 3000 x 80	1247,5 x 2995,5	i 25outdoor1250.3000		

Accessories	width x depth x height	Art. No.		
	in mm			
Base plate (steel)	250 x 250 x 10	i 25bopla		

* Lettering area is separated.

Madrid Ground-mounted spotlights

NEW



For outdoor use, incl. Illuminant. Please have a look on page 90 for detailed information.

Name	visible format	installation depth	up to the height of	output	Art. No.		
	in mm	in mm					
swivel-mounted ground spot „circle 1“	Ø 215	225	2 m	75 W	i leucht1		
asymmetrical ground spot „Circle 2“	Ø 265	220	3 m	70 W	i leucht2		
asymmetrical ground spot „Square“	120 x 1000	110	2 m	21 W	i leucht3		
swivel-mounted ground spot „Flexi“	Ø 250	-	2,5 m	70 W	i leucht4		
spike for the spotlight	l 250	250	-	-	i spieß		

Madrid Indoor stands

Versatile and mobile is how the Madrid indoor stand presents itself. The sign information can be applied flexibly on both sides by means of graphic text or paper with fitted exchanger modules*.



Technical data:

The base body consists of silver-anodized aluminium frame, which is cut to mitre and connected with angles in the inside. Justified composite aluminium panels (3 mm) in silver RAL 9006 serve double-sided as sign panels. For mobile application we supply base plates (350 x 120 x 6 mm in RAL 9007), which are screwed edge to edge. The overall depth is 45 mm.

Sign size	Information area	Art. No.		
height x width x depth in mm	height x width in mm			
1800 x 450 x 45	1795,5 x 445,5	i 25stele1800.450		
2000 x 600 x 45	1995,5 x 595,5	i 25stele2000.600		
2000 x 730 x 45	1995,5 x 725,5	i 25stele2000.730		

* We require a scale assembly drawing of the proposed free standing. Please note that the door signs/directories must be capable of being opened towards the side or the top to enable the sign information to be changed.

Special sizes on request.

Madrid Information stand

The latest trend – the mobile information stand "Madrid" combines functionality with aesthetics and thus draws attention to itself.

Technical data:

The curved aluminium holder (silver) is fastened to the stand made of steel in the format 220 x 300 x 4 mm (painted in RAL 7021 black grey) at the height of 900 mm. Exchangeable modules in varying formats can be stuck on and provide space for varying information.



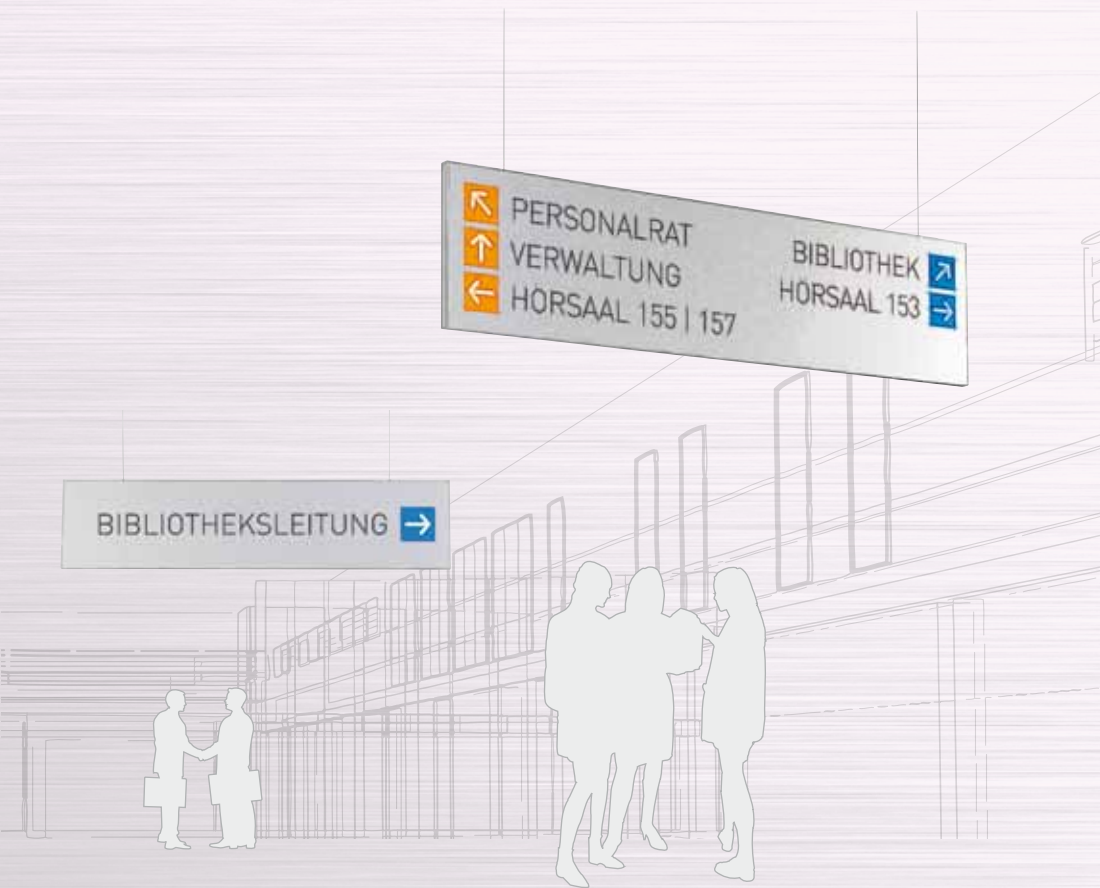
Infostativ

Information stand		Art. No.	
height in mm			
900 mm	silver RAL 9006 / gray RAL 7021	i stativ	

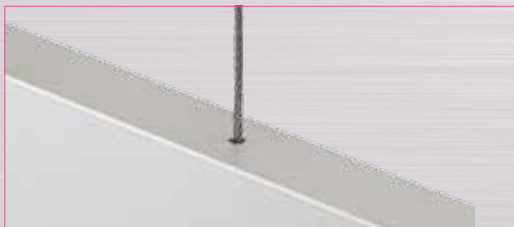
Exchangeable module

Sign size		Information area	Art. No.	
height x width in mm		height x width in mm		
299,5 x 212,5	DIN A4 portrait	293 x 206	i 2504goa*	
212,5 x 299,5	DIN A4 landscape	206 x 293	i 2514goa*	
422,5 x 299,5	DIN A3 portrait	416 x 293	i 2503goa*	
299,5 x 422,5	DIN A3 landscape	293 x 416	i 2513goa*	

* The back panel on the exchanger modules do not have any holes. A double-sided adhesive tape for sticking in place is included (for retrofitting).



The sign information is applied directly to the area for information using self-adhesive foil letters, digital printing or Emergency / Fire safety symbols.



Technical data:

The base panel is comprised of a surrounding silver anodized aluminium frame with angle brackets inside, covered on both sides with aluminium composite panels (3 mm) in silver RAL 9006. The overall depth is 16 mm. Delivery includes two 1.5 m steel cords and press-on lugs.

Madrid Directory for suspending from the ceiling - non paperflexible

Sign size	Information area	Art. No.
height x width x depth in mm	height x width in mm	
150 x 650 x 16	147,5 x 647,5	i 25hänger150.650
150 x 850 x 16	147,5 x 847,5	i 25hänger150.850
150 x 1000 x 16	147,5 x 997,5	i 25hänger150.1000
150 x 1250 x 16	147,5 x 1247,5	i 25hänger150.1250
250 x 650 x 16	247,5 x 647,5	i 25hänger250.650
250 x 850 x 16	247,5 x 847,5	i 25hänger250.850
250 x 1000 x 16	247,5 x 997,5	i 25hänger250.1000
250 x 1250 x 16	247,5 x 1247,5	i 25hänger250.1250

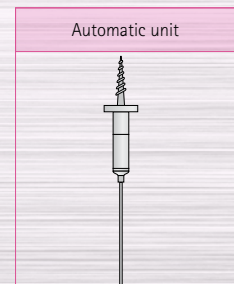
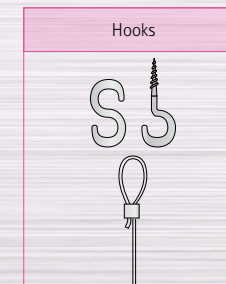
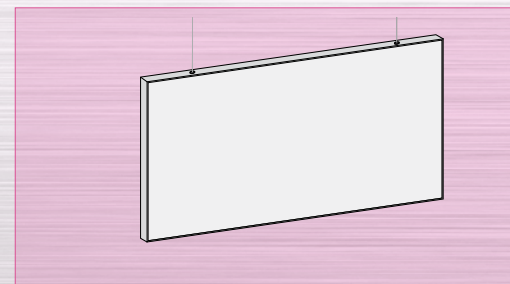
Accessories	Art. No.
Automatic unit	(instead of hooks) i 7732 *

* Two automatic units are required per sign. The automatic unit is described on page 93.

Special sizes on request.

Installation and sign information

The sign can be fastened to the ceiling either with conventional hooks or an automatic ceiling fastening system. The automatic device permits the sign to be adjusted retroactively so that if it is not straight or there are any differences in the length of the cord, these can be corrected with ease.



Madrid Directory for suspending from the ceiling - paperflexible

For sign information on both sides (e.g. with safety symbols or paper inlays), including two 1.5 m steel cords and press-on lugs.



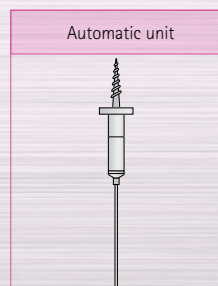
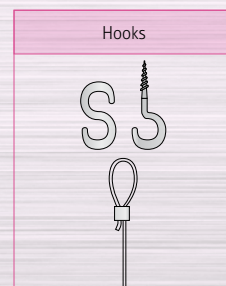
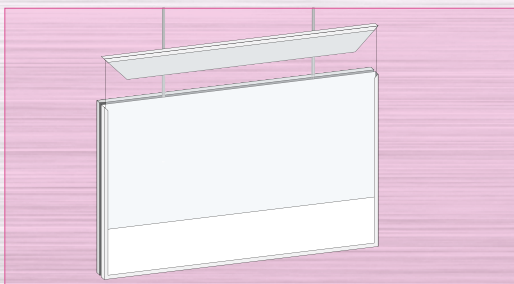
Sign size	Information area	Art. No.	
height x width in mm	height x width in mm		
150,5 x 299,5	144 x 293	i 2540	

Accessories		Art. No.	
Automatic unit	(instead of hooks)	i 7732 *	

* Two automatic units are required per sign. The automatic unit is described on page 93.

Installation and sign information

The sign can be fastened to the ceiling either with conventional hooks or an automatic ceiling fastening system. The automatic device permits the sign to be adjusted retroactively so that if it is not straight or there are any differences in the length of the cord, these can be corrected with ease.



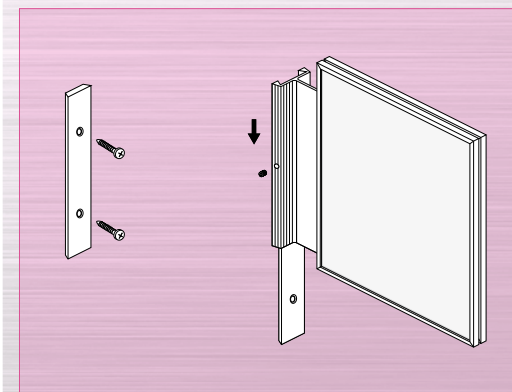
Madrid Directory for projecting

For sign information on both sides (e.g. with safety symbols or paper inlays).



Sign size	Information area	Art. No.	
height x width in mm	height x width in mm		
150,5 x 150,5	144 x 144	i 2551	
150,5 x 299,5	144 x 293	i 2550	
212,5 x 299,5	206 x 293	i 2554	
299,5 x 422,5	293 x 416	i 2553	

Description and installation



The adapter consists of a mounting base profile and an adapter profile in anodized silver. The base profile is attached to the wall using two screws*. A grub screw at the side secures the slid over adapter, on which the signs are attached on both sides.

* Assembly material for wall mounting (screws and dowels) not included in delivery.

Madrid Door Sign / Directory for wall mounting



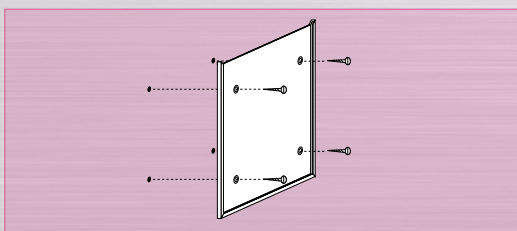
Silver anodized aluminium frame
Back panel silver, with holes

Paper inlay

Non-reflective cover

! In order to prevent unauthorized access you can find our anti-theft device on page 67.

Installation



The door sign or the directory is mounted to the wall by four screws*.

* Assembly material for wall mounting (screws and dowels) not included in delivery.

Sign size *		Information area	Art. No.		
height x width in mm		height x width in mm			
75,5 x 150,5	Door sign 75	69 x 144	i 2501		
150,5 x 105,5	DIN A6 portrait	144 x 99	i 2506		
105,5 x 150,5	DIN A6 landscape	99 x 144	i 2516		
120,5 x 120,5	Door sign 120	114 x 114	i 2520		
150,5 x 150,5	Door sign 150	144 x 144	i 2500		
212,5 x 150,5	DIN A5 portrait	206 x 144	i 2505		
150,5 x 212,5	DIN A5 landscape	144 x 206	i 2515		
182,5 x 182,5	Door sign 182	176 x 176	i 2518		
299,5 x 150,5	Safety sign portrait	293 x 144	i 2531		
150,5 x 299,5	Safety sign landscape	144 x 293	i 2530		
299,5 x 212,5	DIN A4 portrait	293 x 206	i 2504		
212,5 x 299,5	DIN A4 landscape	206 x 293	i 2514		
299,5 x 299,5	Directory 299	293 x 293	i 2529		
422,5 x 299,5	DIN A3 portrait	416 x 293	i 2503		
299,5 x 422,5	DIN A3 landscape	293 x 416	i 2513		
596,5 x 422,5	DIN A2 portrait	590 x 416	i 2502		
422,5 x 596,5	DIN A2 landscape	416 x 590	i 2512		
844,5 x 596,5	DIN A1 portrait	838 x 590	i 2507		
596,5 x 844,5	DIN A1 landscape	590 x 838	i 2517		
1192,5 x 844,5	DIN A0 portrait	1186 x 838	i 2509		
844,5 x 1192,5	DIN A0 landscape	838 x 1186	i 2519		

* Indicated sign sizes "height x width" means that opening is upwards.

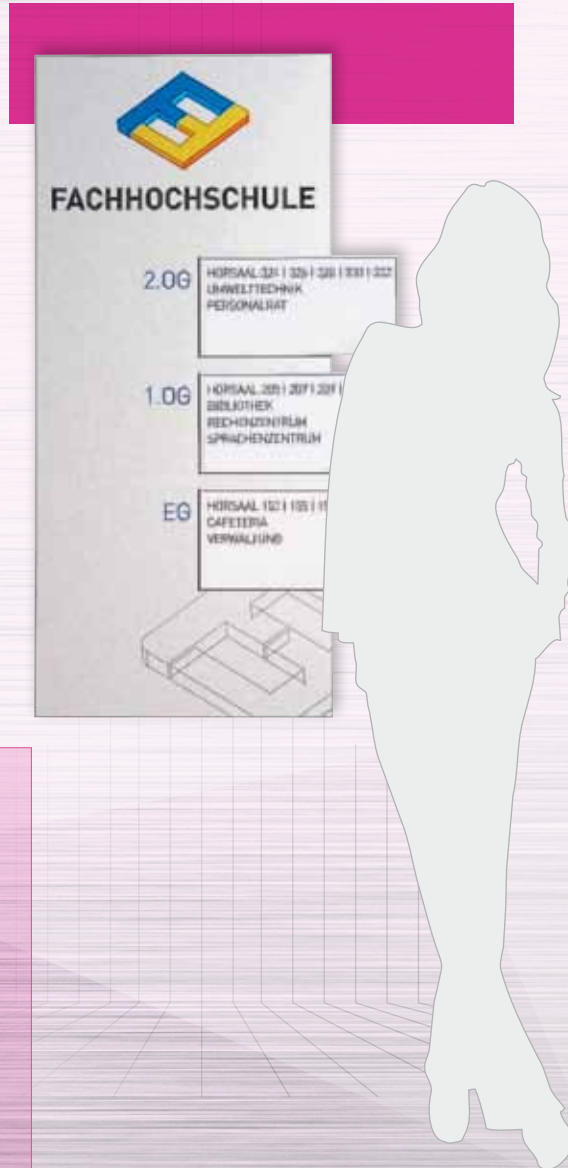
Madrid Main Directory / Outdoor sign for wall mounting

The Madrid main directory permits individual combinations of different sizes and types of sign. It comes in a slim-line and elegant design for the display of information on large surfaces. The sign information can be applied directly to the base panel, and for the quick exchange of information, exchanger modules offer the ideal solution.

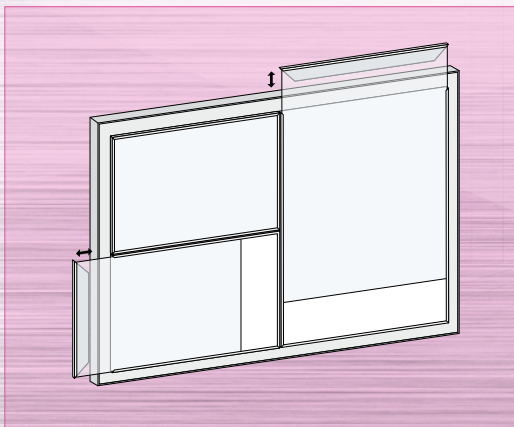
To be able to produce the Madrid main directory we require a scale assembly drawing of the proposed guide. Please note that the door signs/directories must be capable of being opened towards the side or the top to enable the sign information to be changed.

Technical data:

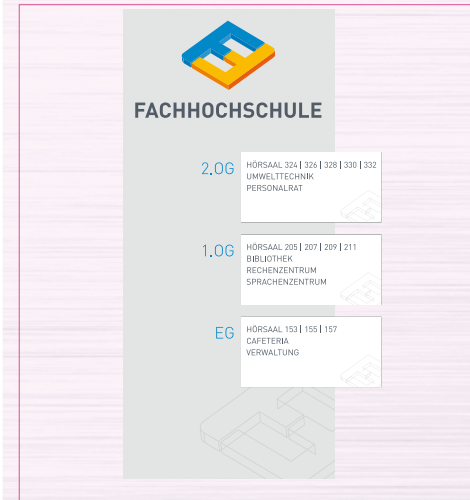
The basic structure is comprised of a surrounding silver anodized aluminium frame with angle brackets inside. It has keyholes on the back for wall mounting. The information panel itself is a 3.0 mm composite panel in silver RAL 9006 at the front. The overall depth is 16 mm.



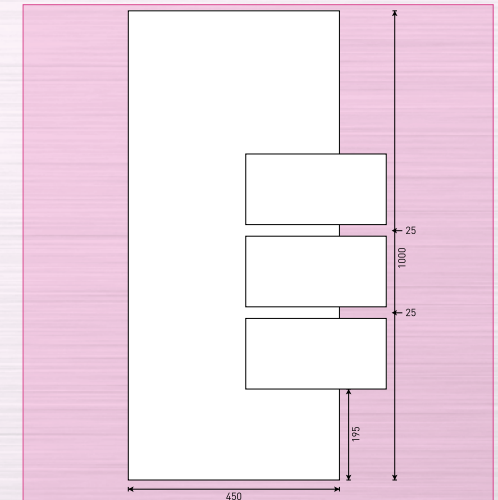
On request the information signs can be supplied with concealed anti-removal guards.



Design example for main directory

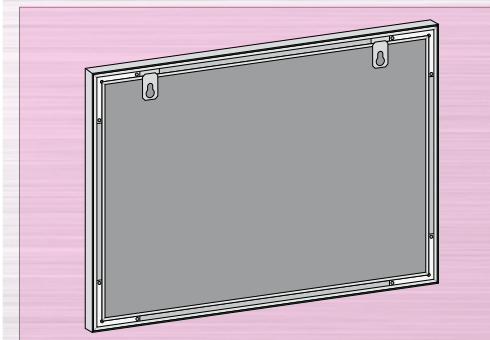


The above design example is comprised of the following:
 1 x base panel size 450 x 1000 mm (i 25wand450.1000)
 3 x Madrid directory size 150,5 x 299,5 mm (i 2531)



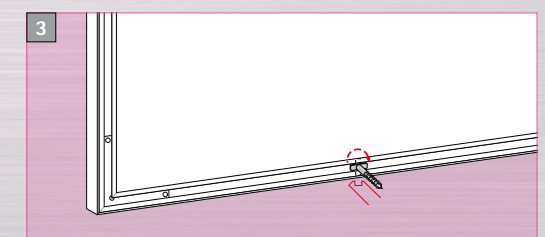
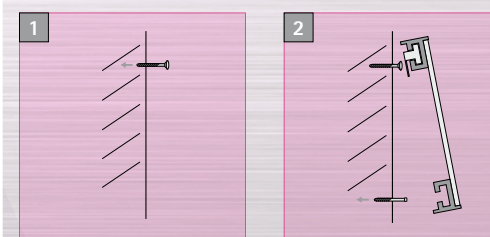
We require a scale assembly drawing of the proposed free standing. Please note that the door signs/directories must be capable of being opened towards the side or the top to enable the sign information to be changed.

Installation of the main directory / outdoor sign



- 1 The unit is installed by screwing two screws* to the wall through the keyholes. The sign is then hung on the screws.
- 2 The optional available locking device is installed by mounting the screw right in the centre of the frame (9,5 mm from bottom edge).
- 3 After the sign is hung the screw locking device is tightened with the special key.

* Assembly material for wall mounting (screws and dowels) not included in delivery.



Madrid Main Directory / Outdoor sign for wall mounting

Sign size	Information area	Art. No.		
height x width x depth in mm	height x width in mm			
450 x 450 x 16	447,5 x 447,5	i 25wand450.450		
450 x 650 x 16	447,5 x 647,5	i 25wand450.650		
450 x 850 x 16	447,5 x 847,5	i 25wand450.850		
450 x 1000 x 16	447,5 x 997,5	i 25wand450.1000		
450 x 1250 x 16	447,5 x 1247,5	i 25wand450.1250		
650 x 450 x 16	647,5 x 447,5	i 25wand650.450		
650 x 650 x 16	647,5 x 647,5	i 25wand650.650		
650 x 850 x 16	647,5 x 847,5	i 25wand650.850		
650 x 1000 x 16	647,5 x 997,5	i 25wand650.1000		
650 x 1250 x 16	647,5 x 1247,5	i 25wand650.1250		
850 x 450 x 16	847,5 x 447,5	i 25wand850.450		
850 x 650 x 16	847,5 x 647,5	i 25wand850.650		
850 x 850 x 16	847,5 x 847,5	i 25wand850.850		
850 x 1000 x 16	847,5 x 997,5	i 25wand850.1000		
850 x 1250 x 16	847,5 x 1247,5	i 25wand850.1250		
1000 x 450 x 16	997,5 x 447,5	i 25wand1000.450		
1000 x 650 x 16	997,5 x 647,5	i 25wand1000.650		

Sign size	Information area	Art. No.		
height x width x depth in mm	height x width in mm			
1000 x 850 x 16	997,5 x 847,5	i 25wand1000.850		
1000 x 1000 x 16	997,5 x 997,5	i 25wand1000.1000		
1000 x 1250 x 16	997,5 x 1247,5	i 25wand1000.1250		
1250 x 450 x 16	1247,5 x 447,5	i 25wand1250.450		
1250 x 650 x 16	1247,5 x 647,5	i 25wand1250.650		
1250 x 850 x 16	1247,5 x 847,5	i 25wand1250.850		
1250 x 1000 x 16	1247,5 x 997,5	i 25wand1250.1000		
1250 x 1250 x 16	1247,5 x 1247,5	i 25wand1250.1250		



Accessories

special screw locking device
key for locking device



Art. No.

i wandschloss
i wandschlüssel

Special sizes on request.

Madrid Table-top sign

mounted on an aluminium angle.



Sign size	Information area	Art. No.
height x width in mm	height x width in mm	
75,5 x 150,5	69 x 144	i 2510

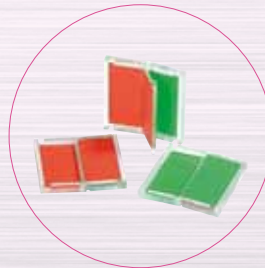
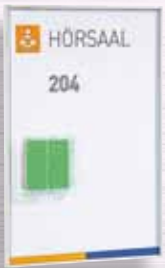
Universal display „free | engaged“



Multitalent & all-rounder - the universal free | engaged display can be used in various situations: on flat or convex signs (in all formats), on table displays, confidentiality displays or simply directly on the door.

Technical data:

The main body is made of transparent PMMA (format 46 x 46 x 5 mm). Switching between "free" or "engaged" is a simple matter of turning over the red or green surface. Delivery includes adhesive dots.



Name	Art. No.
Universal display free engaged	i universalfb

Madrid Paper inlays, sign information and accessories

Paper inlays *		Art. No.	Art. No.	UP
Format height x width in mm		pure white	silver	
72,5 x 147,5	for Door sign 75	i 2501-100P **		10 items
		i 2501-OP **	i 2501 - OSP **	50 items
117,5 x 117,5	for Door sign 120	i 2520-100P **		10 items
		i 2520-OP **	i 2520 - OSP **	50 items
147,5 x 102,5	for Door sign DIN A6	i 2506-100P **		10 items
		i 2506-OP **	i 2506 - OSP **	50 items
147,5 x 147,5	for Door sign 150	i 2500-100P **		10 items
		i 2500-OP **	i 2500 - OSP **	50 items
209,5 x 147,5	for DIN A5	i 2505-100P **		10 items
		i 2505-OP **	i 2505 - OSP **	50 items
247,5 x 296,5	for Safety signs	i 2530-100P **	i 2530 - OSP **	10 items
179,5 x 179,5	for Door sign 182	i 2518-10P **		10 items
		i 2518-OP **	i 2518 - OSP **	50 items
296,5 x 209,5	for DIN A4	i 2504-OP	i 2504 - OSP	10 items
296,5 x 296,5	for Directory 299	i 2529-OP	i 2529 - OSP	10 items
419,5 x 296,5	for DIN A3	i 2503-OP	i 2503 - OSP	10 items

* Paper inlays are supplied in pure white or silver, blank for self-printing with laser or inkjet printers.

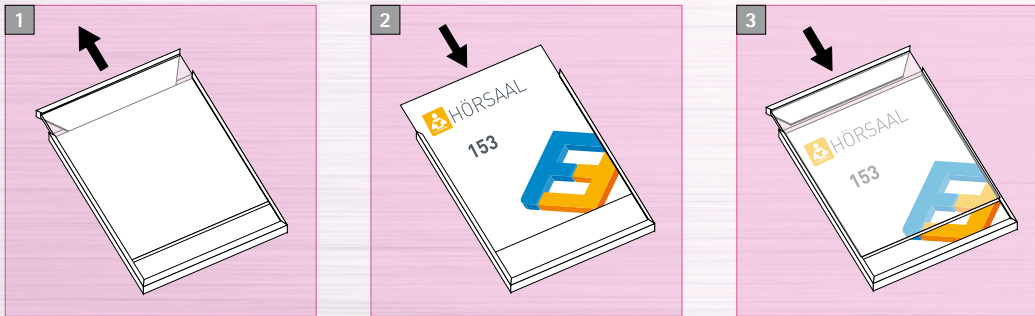
** Punched on DIN A4 sheet.

Accessories / Pictograms	Dim. in mm	Art. No.
Design templates incl. Pictograms and free installation file „Inkscape“		i vorlagen
Pictograms, design Otl Aicher, single-color on white paper	147,5 x 147,5	
Emergency / Fire safety symbols (Laser-printed on white paper)	147,5 x 147,5	
	147,5 x 296,5	
Emergency / Fire safety symbols, photoluminescent	147,5 x 147,5	
	147,5 x 296,5	



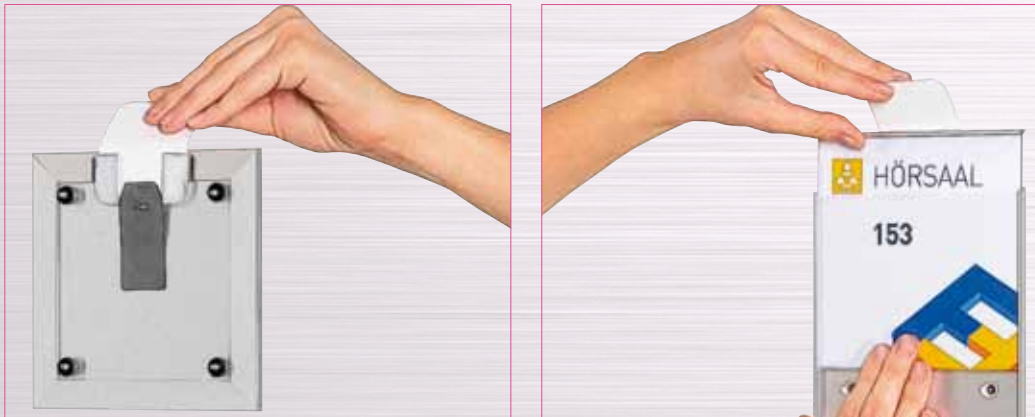
Extract from a wide range. For further Otl Aicher pictograms, please refer to page 94 onwards. For a selection of Emergency / Fire safety symbols, please refer to www.moedel.de. For sign information in Braille / tactile lettering, please refer to page 92 onwards.

Inserting the sign information



Pull the upper frame edge out of the base panel.
Then insert and position the paper inlay.
Slide the frame edge removed in step 1 back into the base panel.

Locking Device



Accessories	Art. No.		
Set of locking device	i 25schloss *		
Special key for locking device (incl. Mounting instructions)	i 25schlüssel		

* Non-visible locking device for retrofitting, adapted to all paperfixable wall signs and directories. The signs obtain a wall distance of 2,5 mm (shadow gap). A mounting instruction is included. A change of paper inserts or dismantling can only be done by opening the signs with a special key. Please order the needed number of keys separately!



TORINO Outdoor stands

NEW


An up-to-date presentation – thanks to its elegant appearance, the TORINO outdoor stand goes with every architecture.

Technical data:

Each side has two satined ESG - discs 1000 x 1000 x 6 mm that serve as information panels. These are attached to the side posts made of aluminium in anodized silver 66 x 66 x 2000 mm using stainless steel spacing elements (Ø 22 mm | 15 mm gap). The standard means of installation is on side posts lengthened by 500 mm (steel 60 x 60 mm). Information about foundation plan and statics can be found on page 96.

Sign size	Art. No.
height x width x depth in mm	
2000 x 1000 x 108	i 52outdoor2000.1000

TORINO Ground-mounted spotlights

NEW


For outdoor use, incl. illuminant. Please have a look on page 90 for detailed information.

Name	visible format	installation depth	up to the height of	output	Art. No.
	in mm	in mm			
swivelling floodlights „circle 1“	Ø 215	225	2 m	75 W	i leucht1
asymmetrical floodlights „circle 2“	Ø 265	220	3 m	70 W	i leucht2
asymmetrical floodlights „square“	120 x 1000	110	2 m	21 W	i leucht3
swivelling ground spotlight „flexi“	Ø 250	-	2,5 m	70 W	i leucht4
spike for the spotlight	l 250	250	-	-	i spieß



TORiNO Indoor stands

The TORiNO indoor stands can be found anywhere where information should be presented elegantly.

1 Version 1

Technical data:

Each side has two satined ESG - discs 750 x 500 x 6 mm that serve as information panels. These are attached to circumferential aluminium frames in anodized silver using stainless steel spacing elements (Ø 22 mm | 15 mm gap). The base plates that are fixed flush to the frames are painted in RAL 9007 silver.

Sign size	Information area	Art. No.	
height x width x depth in mm			
1500 x 500 x 80	2x 750 x 500 mm	i 52stele1500.500	

2 Version 2

Technical data:

Technical data variation 2: The information panel made of acrylic in the format 1800 x 500 x 20 mm is mounted between an aluminium stand 6 mm thick. The stand in the format 200 x 200 mm (on each side) is painted in titanium grey with soft-touch paint. Two screws hold the information panel in place.

Sign size	Sign panel	Art. No.	
height x width in mm			
1800 x 500	1x 20 mm clear acrylic	i 52innen1800.500	
1800 x 500	1x 20 mm acrylic satin	i 52innens1800.500	

TORINO Directory for suspending from the ceiling

including two 1,5 mm steel cords and press-on lugs.



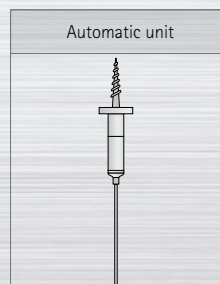
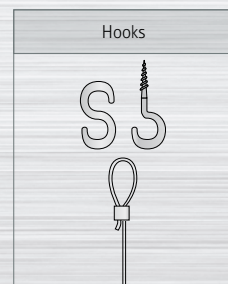
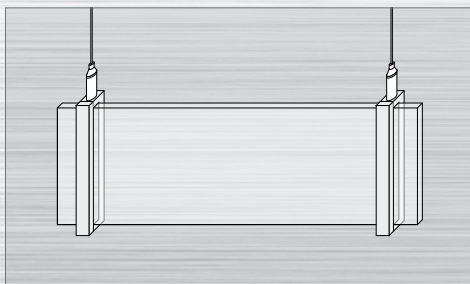
Sign size *	Material	Adapter quantity and	Art. No.
height x width in mm	Quantity x thickness	height x width in mm	
148 x 600	1 x 8 mm ESG	2 x 168 x 20	i 5241
210 x 800	1 x 8 mm ESG	2 x 230 x 20	i 5240
Accessories			
Automatic unit (instead of hooks)			i 7732 **

* Sign size = Size of glass panel; less adapter width gives the display area for information.

** Two automatic units are required per sign. The automatic unit is described on page 93.

ESG = Toughened safety glass (for details see page 45).

The sign can be fastened to the ceiling either with conventional hooks or an automatic ceiling fastening system. The automatic device permits the sign to be adjusted retroactively so that if it is not straight or there are any differences in the length of the cord, these can be corrected with ease.



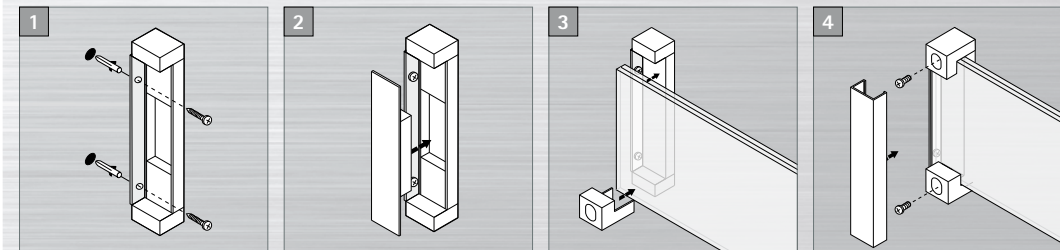
TORINO Directory for projecting

including adapter.



Sign size	Material	Adapter quantity and	Art. No.
height x width in mm	Quantity x thickness	height x width in mm	
180 x 215	2 x 4 mm ESG	1 x 200 x 35	i 5251
210 x 337	2 x 4 mm ESG	1 x 230 x 35	i 5250

Installation



1 Insert dowels** and then fasten the adapter at the desired position with two screws** and align.

2 Fit the base cover to the adapter.

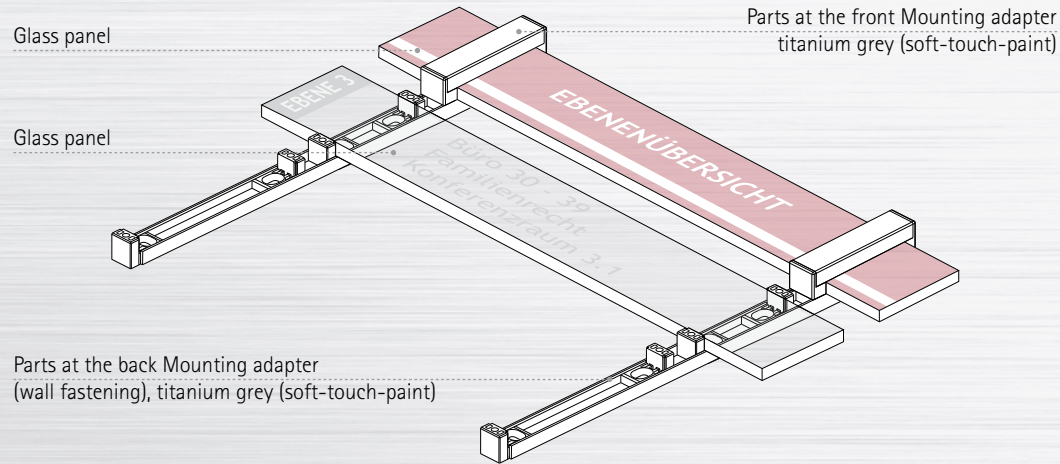
3 Insert the glass panels and the information panel together in the recess in the adapter. Fit the glass holders to the adapter.

4 Align the glass panels and fasten with the screws. Fit the front cover strip to the glass holders.

* Assembly material for wall mounting (screws and dowels) not included in delivery.

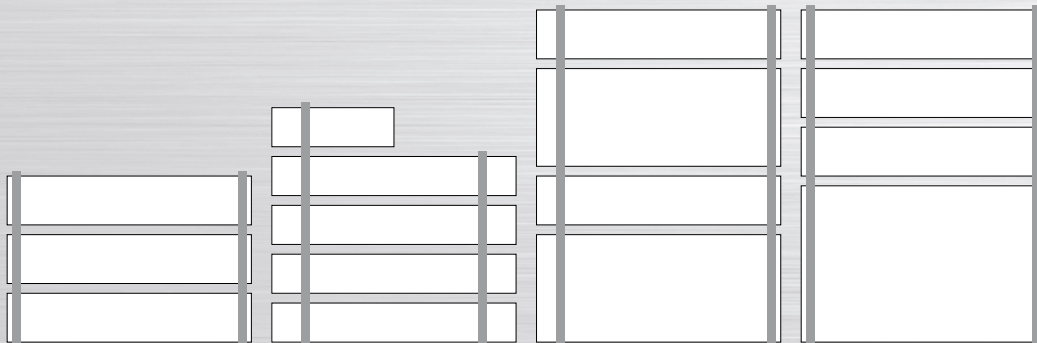
ESG = Toughened safety glass (for details see page 45).

TORiNO Modular Directory for wall mounting



Directory comprised of several glass panels	Material	Art. No.
We look forward to receiving your individual request.	1 x 8 mm ESG	i 52modular

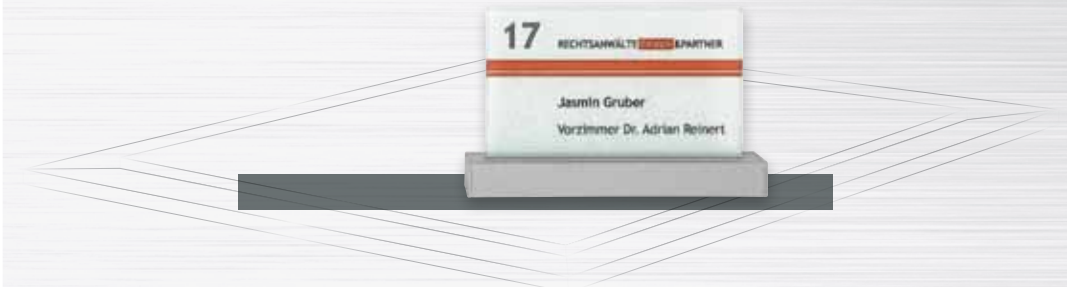
Examples of flexible variations possible * with the modular Directory for wall mounting:



* The glass panels in the modular information sign can be positioned in any horizontal position in the fasteners.

ESG = Toughened safety glass (for details see page 45).

TORiNO Table-top sign



Sign size *	Material	Stand (Base)	Art. No.
height x width in mm	Quantity x thickness	height x width in mm	
148 x 148	2 x 4 mm ESG	20 x 168	i 5210

* Sign size = Size of glass panel; less adapter width gives the display area for information.

ESG = Toughened safety glass (for details see page 45).

Universal display „free | engaged“

NEW

Multitalent & all-rounder - the universal free | engaged display can be used in various situations: on flat or convex signs (in all formats), on table displays, confidentiality displays or simply directly on the door.

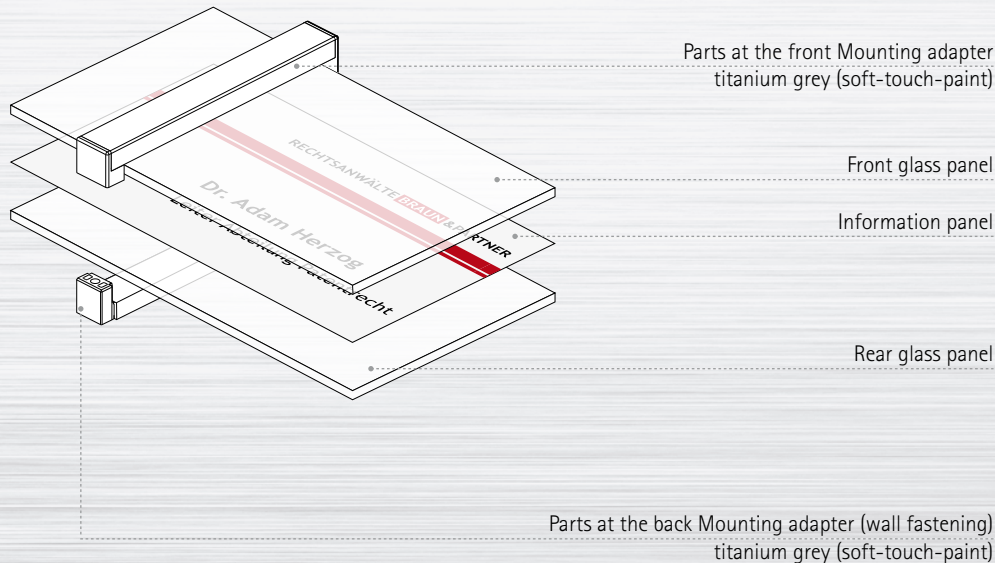
Technical data:

The main body is made of transparent PMMA (format 46 x 46 x 5 mm). Switching between “free” or “engaged” is a simple matter of turning over the red or green surface. Delivery includes adhesive dots.



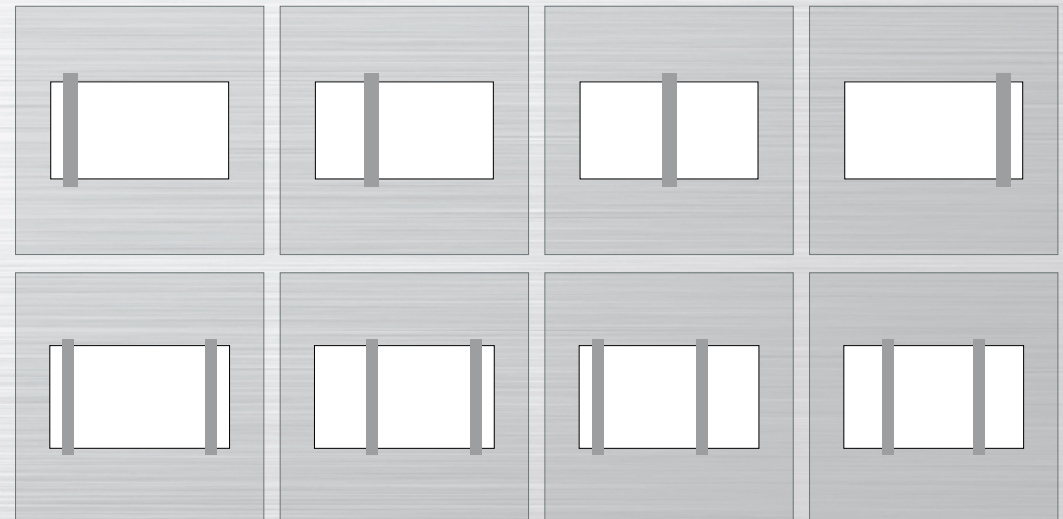
Name	Art. No.
Universal display free engaged	i universalfb

TORiNO Door Sign / Directory for wall mounting



Sign size *		Material	Adapter Quantity and	Art. No.	
height x width in mm		Quantity x thickness	height x width in mm		
105 x 148	DIN A6 landscape	2 x 4 mm ESG	1 x 125 x 20	i 5216	
148 x 148		2 x 4 mm ESG	1 x 168 x 20	i 5248	
148 x 210	DIN A5 landscape	2 x 4 mm ESG	1 x 168 x 20	i 5205	
148 x 337		2 x 4 mm ESG	1 x 168 x 20	i 5230	
148 x 250	~ DIN A5 landscape	2 x 4 mm ESG	1 x 168 x 20	i 5215	
297 x 250	~ DIN A4 portrait	2 x 4 mm ESG	1 x 317 x 20	i 5204	
210 x 337	~ DIN A4 landscape	2 x 4 mm ESG	1 x 230 x 20	i 5214	
420 x 377	~ DIN A3 portrait	2 x 4 mm ESG	2 x 440 x 20	i 5203	
297 x 500	~ DIN A3 landscape	2 x 4 mm ESG	2 x 317 x 20	i 5213	
594 x 500	~ DIN A2 portrait	2 x 4 mm ESG	2 x 614 x 20	i 5202	
420 x 674	~ DIN A2 landscape	2 x 4 mm ESG	2 x 440 x 20	i 5212	
594 x 921	~ DIN A1 landscape	1 x 8 mm ESG	2 x 614 x 20	i 5211	

Example of flexible** installation with one/two adapters:

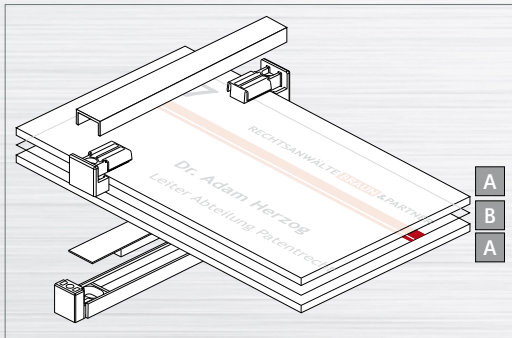


* Sign size = Size of glass panel; less adapter width gives the display area for information.

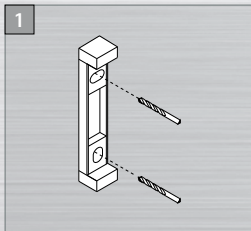
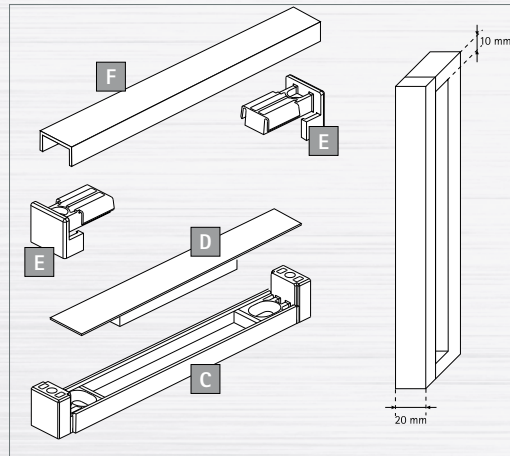
** The glass panels for the door signs and all kind of directories, can be adjusted to any horizontal position in the fasteners.

ESG = Toughened safety glass (for details see page 45).

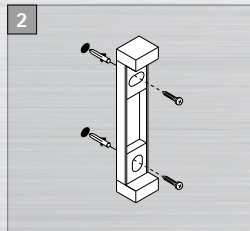
Installation



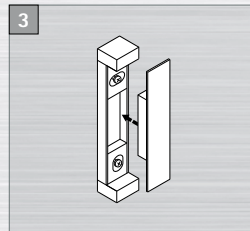
- A** 1 or 2 glass panels
B optional sign information inlay
C adapter base
D base cover
E glass panel holder
F front cover strip



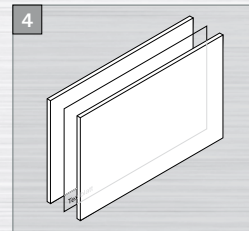
Use the adapter base **C** as a template. Mark the holes for drilling in the wall, then remove the template from the wall and drill the holes in the wall as precisely as possible.



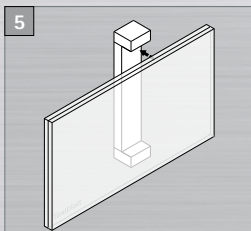
Insert the dowels* and then fasten the adapter base **C** at the desired position with two screws* and align.



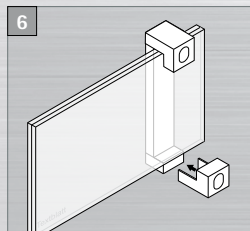
Fit the base cover **D** to the adapter base **C**.



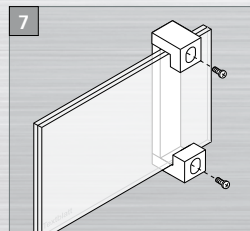
Put the rear glass panel **A**, the information panel **B** and the front glass panel **A** together ...



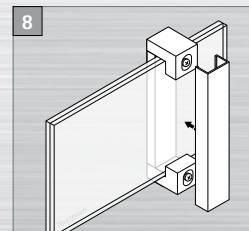
... and insert in the desired position in the recess in the adapter base **C**. The glass panels can be positioned anywhere on the horizontal axis (adapter).



Fit the glass holders **E** to the adapter base **C** to fasten the glass panels.



Align the glass panels and fasten with the screws



Fit the front cover strip **F** to the glass holders **E**.

* Assembly material for wall mounting (screws and dowels) not included in delivery.

TORiNO Sign information, pictograms and accessories

Description	Foil size	for glass panel	Art. No.
height x width in mm	height x width mm	height x width mm	
Opal glass foil for laser printing *			
for i 5216 (DIN A6 landscape)	104 x 147	105 x 148	i 5306 **
for i 5248 and i 5210	147 x 147	148 x 148	i 5348 **
for i 5205 (DIN A5 landscape)	147 x 209	148 x 210	i 5305 **
for i 5230	147 x 336	148 x 337	i 5330 ***
for i 5215 (~ DIN A5 landscape)	147 x 249	148 x 250	i 5315 **
for i 5204 (~ DIN A4 portrait)	296 x 249	297 x 250	i 5304 ***
for i 5214 (~ DIN A4 landscape) and i 5250	209 x 336	210 x 337	i 5314 ***
for i 5213 (~ DIN A3 landscape)	296 x 499	297 x 500	i 5313
for i 5251	179 x 214	180 x 215	i 5351 **
Multicolor digital printing in opal glass look			
	DIN A3	Directory	i 5303digi
	DIN A2	Directory	i 5302digi
	DIN A1 landscape	Main Directory	i 5311digi
	147 x 599	Main Directory	i 5341digi
	209 x 799	Ceiling-mounted unit	i 5340digi
	1399 x 469	Indoor stands	i 53innendigi
	Custom-tailored size		

Accessories / Pictograms	Dim. in mm	Art. No.
Design templates incl. Pictograms and free installation file „Inkscape“		i vorlagen
Pictograms, design Otl Aicher, single-color on opal glass foil	for Door sign	i 53pikto
Emergency / Fire safety symbols	148 x 297	

* Blank for self-printing.

** Pre-punched on DIN A4 sheet.

*** Pre-punched on DIN A3 sheet.



Extract from a wide range. For further Otl Aicher pictograms, please refer to page 94 onwards. For a selection of Emergency / Fire safety symbols, please refer to www.moedel.de.

Showcases for outdoor

Outdoor showcase Model B

NEW

The outdoor showcase model B presents information in a sound and well-designed fashion. It is suitable for wall or stand mounting and is available with lighting.

Technical data:

- ▶ for wall or stand mounting
- ▶ usable inside depth: 35 mm
- ▶ torsion-free frame made of aluminium in anodized silver(E6/EV1)
- ▶ chromed corners bevelled on all sides
- ▶ rear made of galvanized sheet steel (magnetic) painted in RAL 9010 white
- ▶ inlaid folding door with inset hinges
- ▶ side gas springs in the format 1010 x 1370 mm (= opening at the top)
- ▶ glazing: 4 mm single-pane safety glass (with ESG - trademark DIN 1249)
- ▶ front security cylinder lock
- ▶ hidden ventilation
- ▶ incl. 4 magnets
- ▶ optional lighting behind the blind



Outside dim.	Display surf.	Pages	Art. No.	Art. No.		
height x width x depth	height x width	DIN A4	without lighting	with lighting		
in mm	in mm					
410 x 530 x 55	300 x 420	2 x 1	i 662	i 662b		
710 x 530 x 55	600 x 420	2 x 2	i 664	i 664b		
710 x 960 x 55	600 x 850	2 x 4	i 668	i 668b		
1010 x 1370 x 55	900 x 1260	3 x 6	i 6618	i 6618b		
1010 x 1580 x 55	900 x 1470	3 x 7	i 6621	i 6621b		
1010 x 2000 x 55	900 x 1890	3 x 9	i 6627	i 6627b		

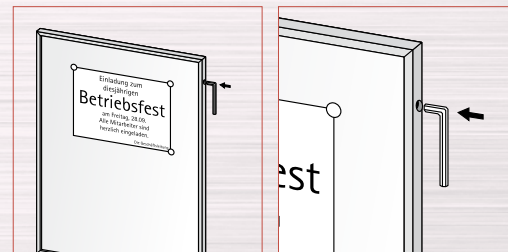
Outdoor showcase Model D



The Model D outdoor showcase combines color and function. The top-mounted edging frame (available silver-anodized, painted in F1 - F16 or in a RAL color) helps make the showcase a modern and adaptable eye catcher.

Technical data:

- ▶ For wall-mounting or stand-based installation
- ▶ Usable inside depth: 35 mm
- ▶ Top-mounted edging frame, 30 mm wide
- ▶ Back panel in sheet steel (magnetic) painted in RAL 9006 white aluminium
- ▶ Side-hung casements (for landscape formats in DIN A4 and DIN A3 they open upwards)
- ▶ Glass panels: 4 mm toughened safety glass
- ▶ Two spring bolt locks for locking on the side
- ▶ Including 4 magnets



To open the side spring bolts, press in with the Allen key (included in delivery). To prevent it from being opened without authorization, screw the supplied grub screws into the threaded channel.

To release the spring bolt to open the doors, screw the locking screws in. Return to the grub screw to the original position again before for closing.

Outside dim.	Display surface	Art. No.	Art. No.		
height x width x depth		silver-anodized	painted		
in mm					
418 x 331 x 45	DIN A4	i 62297	i 64297 *		
541 x 419 x 45	DIN A3	i 62420	i 64420 *		
716 x 542 x 45	DIN A2	i 62594	i 64594 *		
961 x 716 x 45	DIN A1	i 62841	i 64841 *		
1310 x 961 x 45	DIN A0	i 621189	i 641189 *		

* Painted in one of our 16 standard colors (F1 - F16) or RAL or HKS colors.

Please specify the required color number with the article number. Details are contained on page 97.

Outdoor showcase model C


NEW

Slim and elegant the show case model C has space for up to 12 DIN A4 - sheets. The designer folding frame model C is the perfect supplement for indoors.

Technical data:

- ▶ for wall mounting
- ▶ usable inside depth: 13 mm
- ▶ top frame made of aluminium in anodized silver (E6/EV1)
- ▶ rear made of sheet steel (magnetic) painted in RAL 9010 white
- ▶ side folding door
- ▶ glazing: shock-resistant, UV-resistant plastic (SAN)
- ▶ front security cylinder lock
- ▶ circumferential rubber seal



Outside dim.	Display surface	Pages	Art. No.		
height x width x depth	height x width	DIN A4			
in mm	in mm	Quantity			
696 x 521 x 23	615 x 440	2 x 2	i 624		
696 x 741 x 23	615 x 660	3 x 2	i 626		
1004 x 741 x 23	922 x 660	3 x 3	i 629		
1004 x 961 x 23	922 x 880	4 x 3	i 6212		

Showcases for indoor

Design snap frame Model C

NEW


The designer folding frame model C is an aesthetic alternative for constantly changing information. The particularly elegant frame profile gives it a special character.

Technical data:

- ▶ for wall mounting
- ▶ frame made of aluminium in anodized silver (E6/EV1)
- ▶ mitre corners, with rust free angle joints
- ▶ rear made of shock-resistant plastic
- ▶ UV resistant non-reflective cover

Outside dim.	Display surface	Poster format	Art. No.		
height x width x depth	height x width				
in mm	in mm				
351 x 264 x 22	279 x 192	DIN A4	i 61A4		
474 x 351 x 22	402 x 279	DIN A3	i 61A3		
648 x 474 x 22	576 x 402	DIN A2	i 61A2		
895 x 648 x 22	823 x 576	DIN A1	i 61A1		
1243 x 895 x 22	1171 x 823	DIN A0	i 61A0		

Showcases for indoor

Indoor showcase model G with sliding door

NEW

The sliding door showcase model G is particularly suitable for use in rooms with limited space. The torsionally rigid aluminium frame allows for information surfaces in large formats.

Technical data:

- ▶ for wall mounting
- ▶ usable inside depth: 25 mm
- ▶ top torsionally rigid frame made of aluminium in anodized silver (E6/EV1)
- ▶ rear made of galvanized sheet steel (magnetic) painted in RAL 9010 white
- ▶ guided hinged sliding doors with side handle (at the bottom)
- ▶ glazing: 4 mm single-pane safety glass (with ESG - trademark DIN 1249)
- ▶ front security cylinder lock
- ▶ incl. 4 magnets



Outside dim.	Display surface	Pages	Art. No.	
height x width x depth	height x width	DIN A4		
in mm	in mm	Quantity		
670 x 910 x 50	620 x 850	2 x 4	i 678	
970 x 910 x 50	920 x 850	3 x 4	i 6712	
970 x 1330 x 50	920 x 1270	3 x 6	i 6718	
970 x 1540 x 50	920 x 1480	3 x 7	i 6721	
970 x 1970 x 50	920 x 1910	3 x 9	i 6727	

Indoor showcase model M



Our Model M indoor showcase combines attractive design with value-for-money. It can be used in both portrait and landscape formats and offers a modern visual appearance combined with high-quality materials. Model M – simplicity at its most attractive.

Technical data:

- ▶ Frame in silver-anodized aluminium (E6 / EV1)
- ▶ Back panel in sheet steel (magnetic) painted in RAL 9006 white aluminium
- ▶ Side-hung casements (for landscape formats in DIN A4 and DIN A3 they open upwards)
- ▶ Glass panels: UV-resistant PVC (fire class B1)
- ▶ Front security lock (format DIN A2 and higher with 2 locks)
- ▶ Including 4 magnets

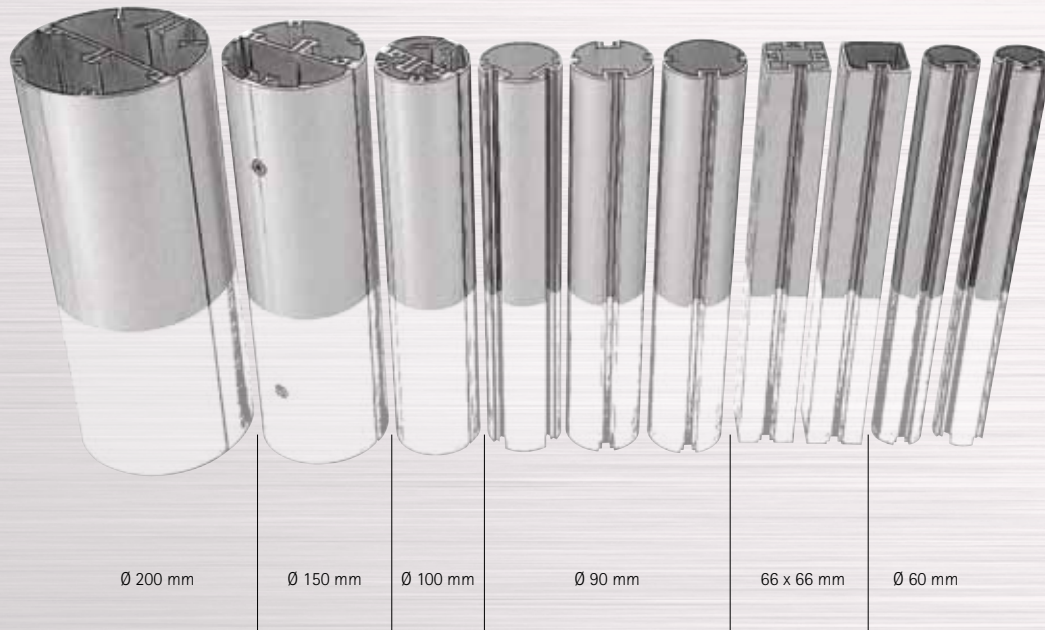


Outside dim.	Display surface	Art. No.		
height x width x depth	height x width			
in mm	in mm			
377 x 290 x 28	318 x 231 (DIN A4)	i 61297		
500 x 377 x 28	441 x 318 (DIN A3)	i 61420		
665 x 500 x 28	606 x 441 (DIN A2 portrait)	i 61594		
500 x 665 x 28	441 x 606 (DIN A2 landscape)	i 61594Q		
920 x 665 x 28	861 x 606 (DIN A1 portrait)	i 61841		
665 x 920 x 28	606 x 861 (DIN A1 landscape)	i 61841Q		

Posts for stand-based installation

For showcases which are to be installed not on the wall but elsewhere, our posts from the "Berlin Basic" system are the solution. Fitting the showcase to two box profiles (height: 100 mm) provides a simple and flexible means of installation.

The "Berlin Basic" posts are also ideal for the effortless production of large systems of showcases as well – enabling several showcases to be arranged in a line next to each other or even at 90° to each other. In addition, the ornamental attachments and curved segments are also available as well, of course.



Accessories

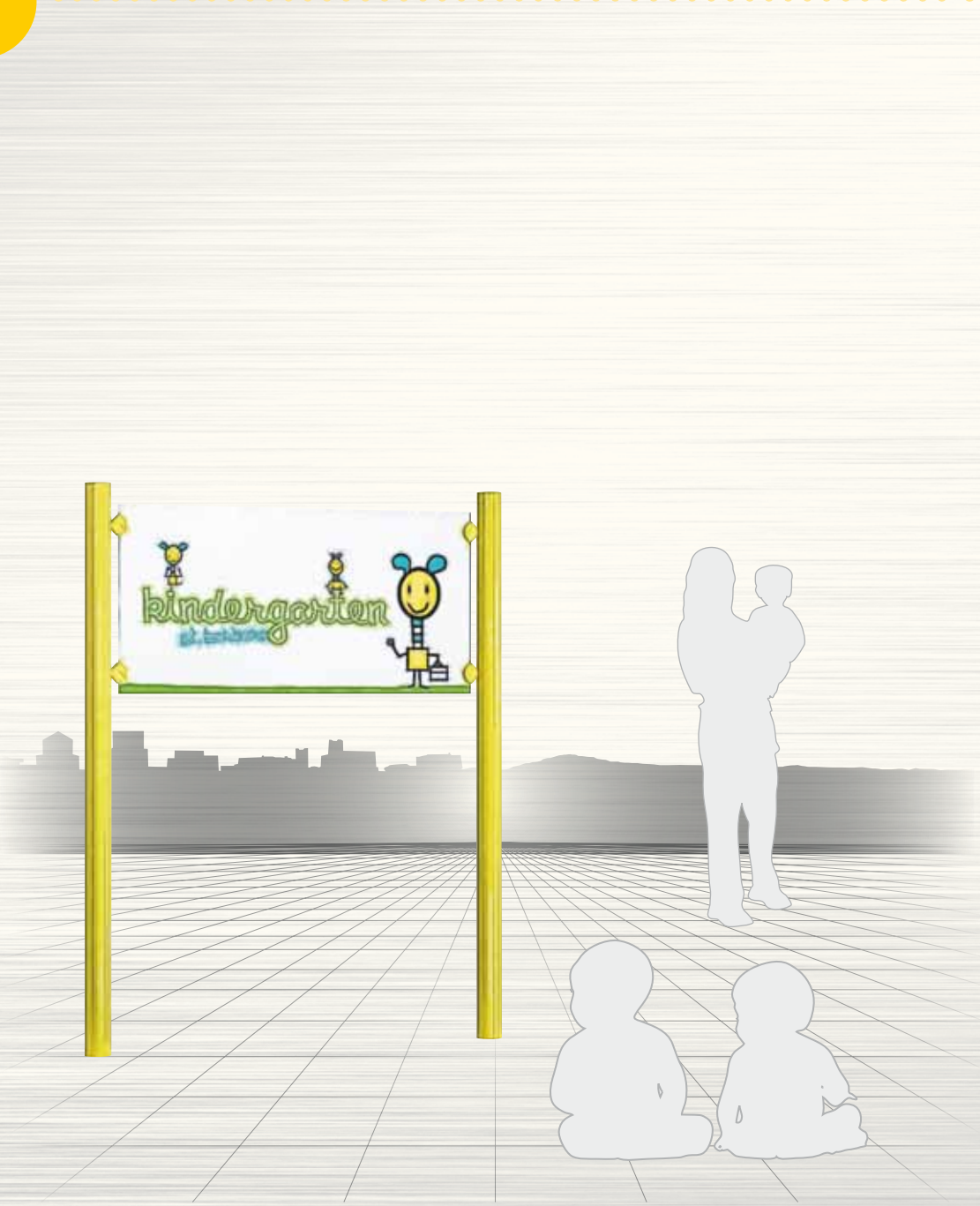
Magnet for showcase

Format	Art. No.	Art. No.	
Diameter in mm	white	red	
16	i 6085w *	i 6085r *	
25	i 6086w *	i 6086r *	

* 1 set = 10 items.



Clip-Trick Outdoor stands



The Clip-Trick stand offers complete flexibility. Both standard panels and full-length information panels can be used. The thickness of the material is dependent on the clamps used (6 or 12 mm). The fasteners (clamps) are available in 16 colors as standard.

The side poles Ø 60 mm and compatible profiles for covering the system groove can be found in the series „Berlin Basic“ on page 5; appropriate clamps are available on page 79 . Acrylic and glass panels are available upon request.

To realise the stand we require a sketch which shows the positions of the clamps.

Clip-Trick Ground-mounted spotlights

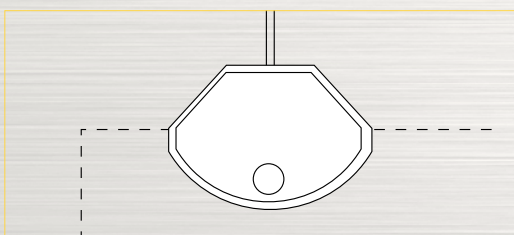
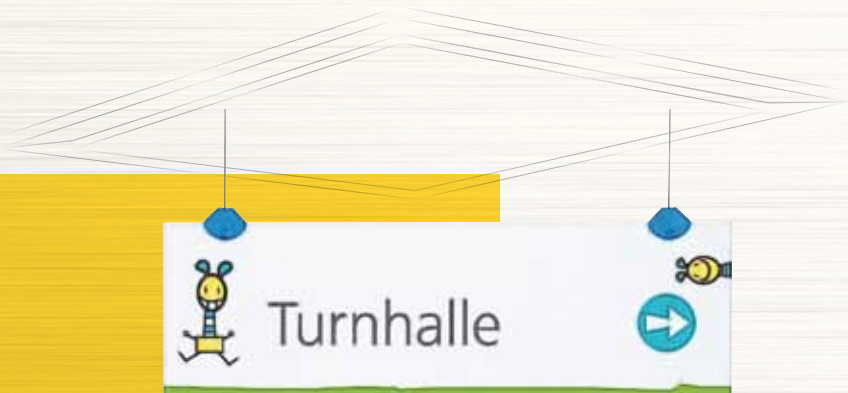
NEW



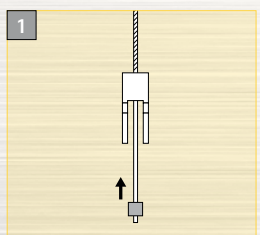
For outdoor use, incl. Illuminant. Please have a look on page 90 for detailed information.

Name	visible format	installation depth	up to the height of	output	Art. No.
	in mm	in mm			
swivel-mounted ground spot „circle 1“	Ø 215	225	2 m	75 W	i leucht1
asymmetrical ground spot „Circle 2“	Ø 265	220	3 m	70 W	i leucht2
asymmetrical ground spot „Square“	120 x 1000	110	2 m	21 W	i leucht3
swivel-mounted ground spot „Flexi“	Ø 250	-	2,5 m	70 W	i leucht4
spike for the spotlight	l 250	250	-	-	i spieß

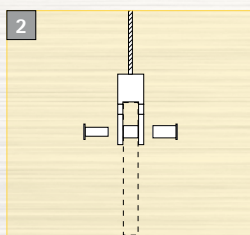
Clip-Trick Directory for suspending from the ceiling



The sign fastener is available in two sizes so that you can choose the right size for the sign. The smaller suspension element can hold a material thickness of 6 mm, whereas the large one can hold material of 12 mm in thickness.



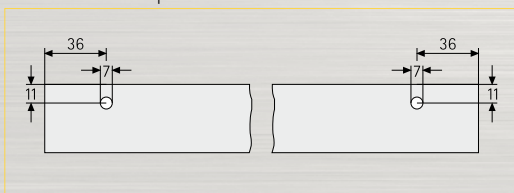
1 Clamp a press-on lug to the end of the cord and pull the cord through the hole above.



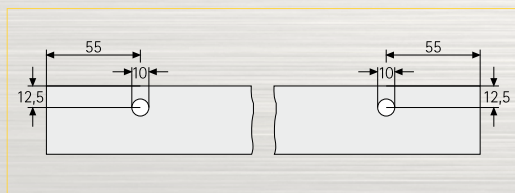
2 Clamp the glass panel to the suspension element by inserting the supplied pins through the ready-prepared holes and lock with a mate.

Glass panel for suspending from the ceiling

... available on request.



Hole spacing for glass panel with 6 mm material thickness
(Clip-Trick clamp, small)



Hole spacing for glass panel with 12 mm material thickness
(Clip-Trick clamp, large)

Fastening material for suspending from the ceiling

Fastening material for suspending from the ceiling	Art. No.		
Small clamp, for 6 mm material thickness	i 7930 F... *		
Large clamps, for 12 mm material thickness	i 7931 F... *		
Special color for small clamp	i 7930 fson		
Special color for large clamp	i 7931 fson		

Fastening material	Art. No.		
Reel of steel cord (Ø 1,5 mm)	10 m	i 7940-10	
	30 m	i 7940-30	
	50 m	i 7940-50	
Press-on lugs	i 7941 **		
Automatic unit (instead of hooks)	i 7732 ***		

* Subject to availability.

Clip-Trick clamps are available in single colors from our range of 16 standard colors (F1 - F16).

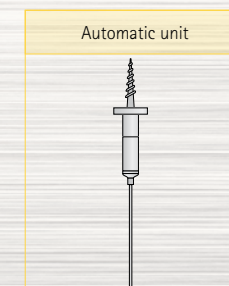
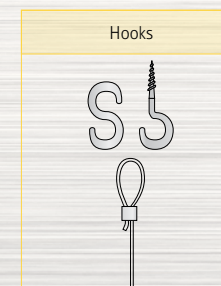
Please specify the required color number with the article number. Details are contained on page 97.

** Two press-on lugs are required for each suspended sign if an automatic unit is used; if hooks are used, four press-on lugs are required for each suspended sign.

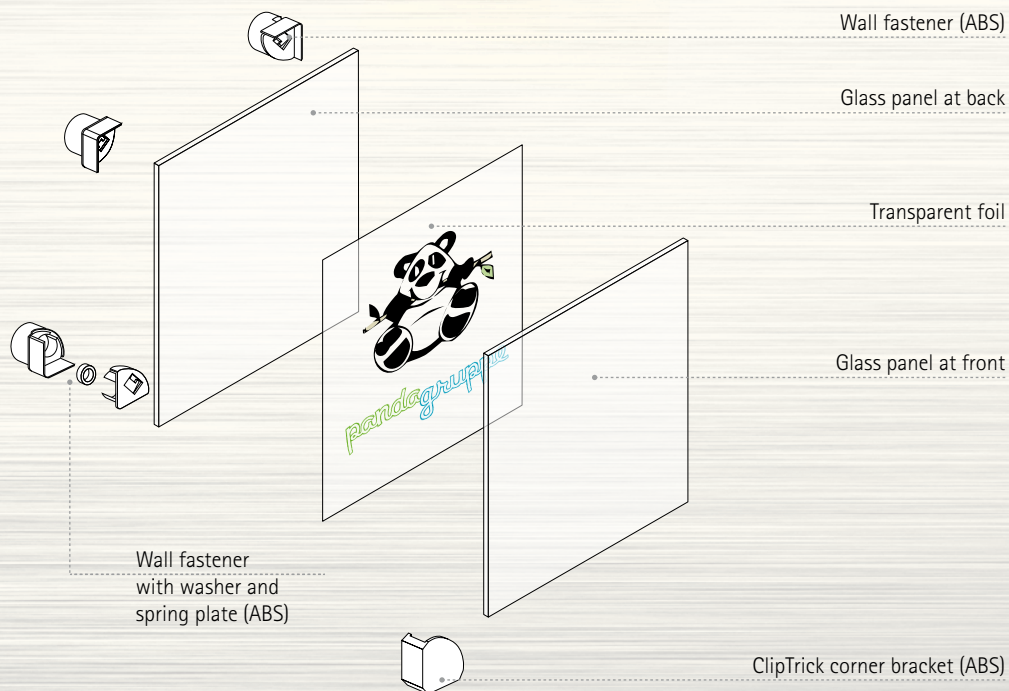
*** Two automatic units are required for each suspended sign. The automatic unit is described on page 93.

Installation and sign information

The sign can be fastened to the ceiling either with conventional hooks or an automatic ceiling fastening system. The automatic device permits the sign to be adjusted retroactively so that if it is not straight or there are any differences in the length of the cord, these can be corrected with ease.



Clip-Trick Door Sign / Directory for wall mounting



Glass panel for wall mounting

Material	Sign size height x width in mm	Art. No.		
3 mm acrylic	150 x 150	i 7800 A3		
	210 x 148 DIN A5	i 7801 A3		
	148 x 297	i 7808 A3		
	297 x 210 DIN A4	i 7802 A3		
6 mm acrylic	297 x 420 DIN A3	i 7819 A6		

Fastening material for wall mounting

Name	Art. No.		
Small Clip corner bracket, 6 mm clip	i 7920 F... *		
Large Clip corner bracket, 12 mm clip	i 7921 F... *		
Special color for small Clip bracket (extra price)	i 7920 fson		
Special color for large Clip bracket (extra price)	i 7921 fson		

Accessories

Name	Art. No.		
Installation template	i 78 hilfe		

* Subject to availability.
 Clip Trick corner brackets are available in a single color from our range of 16 standard colors (F1 - F16). F14 no longer available.
 Please specify the required color number with the article number. Details are contained on page 97.

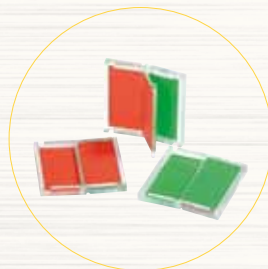
Universal display „free | engaged“

NEW

Multitalent & all-rounder – the universal free | engaged display can be used in various situations: on flat or convex signs (in all formats), on table displays, confidentiality displays or simply directly on the door.

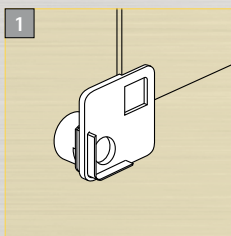
Technical data:

The main body is made of transparent PMMA (format 46 x 46 x 5 mm). Switching between “free” or “engaged” is a simple matter of turning over the red or green surface. Delivery includes adhesive dots.

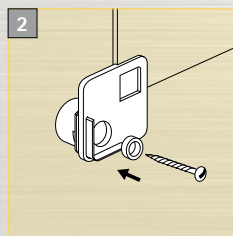


Name	Art. No.		
Universal display free engaged	i universalfb		

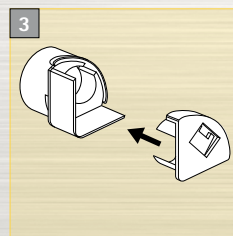
Installation and inserting the sign information



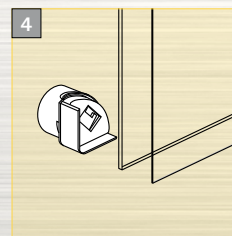
Once you have prepared the installation aid and drilled the holes, insert the Clip-Trick corner brackets in the installation aid.



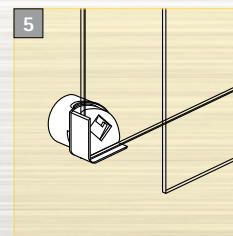
Insert the washer and fasten to the wall with a screw*.



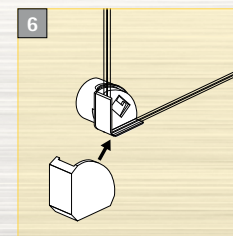
Remove the installation aid and then fit the spring plate.



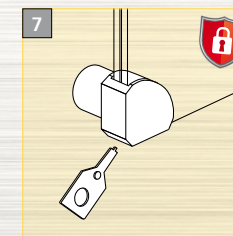
Place the back panel and the transparent foil in position. If direct sign information is used, place only the glass panel in position.



Fit the front glass panel.



Slide the cover cap over the completed sign until it locks into place.



To remove the transparent foil, insert the key in the gap at the back until it locks. The cover can now be removed without difficulty. It is impossible to open without the key.

* Assembly material for wall mounting (screws and dowels) not included in delivery.

Clip-Trick Sign information, pictograms and accessories

for sign size	Art. No.	Art. No.		
height x width in mm	1 UP = 10 items	1 UP = 100 items		
Transparent foil *				
150 x 150	i 7810lv10 **	i 7810lv100 **		
210 x 148	i 7811lv10 **	i 7811lv100 **		
297 x 210	i 7812lv10 **	i 7812lv100 **		

* Transparentfolie blanco zum Selbstbeschriften mit Laserdrucker

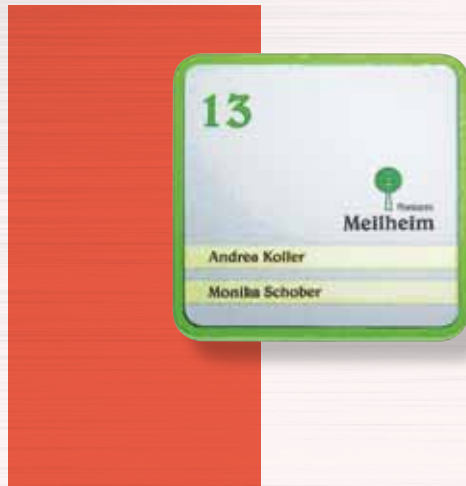
** Punched on DIN A4 sheet

for sign size height x width in mm	Art. No.		
Pictograms, design Otl Aicher single color on white paper			
150 x 150			
200 x 130			
148 x 297			
Emergency / Fire safety symbols laser-printed on white paper			
150 x 150			
148 x 297			
Emergency / Fire safety symbols photoluminescent			
150 x 150			
148 x 297			
Accessories			
Design templates incl. Pictograms and free installation file „Inkscape“		i vorlagen	



Extract from a wide range. For further Otl Aicher pictograms, please refer to page 94 onwards.

Maxi Door sign for wall mounting



Mounting plate (ABS) white

Anti-theft element

Optional 0- to 5-lines colored foil

5-line base panel (ABS)

Non-reflective cover

Optional frame (ABS)
available in 16 standard colors

Sign size	Name	Art. No.		
height x width in mm				
150 x 150	Sign base, 5-line	i 6006 *		

Frame size	Name	Art. No.		
height x width in mm				
150 x 150	Frame	i 6006 R ... **		

Special equipment				
Special color for Maxi frame ***				
Maxi sign, self-adhesive version				
Fastening material (only suitable for solid walls)				

* Maxi door sign comprised of the installation plate, 5-line base panel, non-reflective cover and anti-theft element.

** Maxi frames are available in a single color from our range of 16 standard colors (R1 - R16). Please specify the required color number with the article number. Details are contained on page 97.

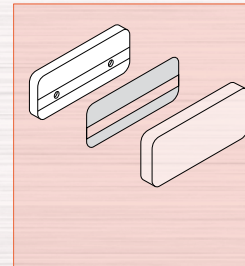
*** Special colors available on request. Please specify RAL, HKS or specified color sample.

Mini Door sign for wall mounting

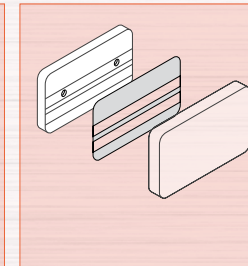


Sign size	Name	Art. No.		
height x width in mm				
74 x 150	Sign base, 1-line	i 6001 *		
93 x 150	Sign base, 2-line	i 6002 *		
112 x 150	Sign base, 2-line	i 6003 *		
131 x 150	Sign base, 4-line	i 6004 *		

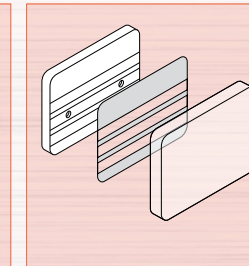
1-line Mini door sign



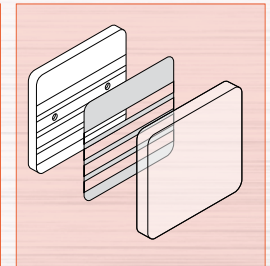
2-line Mini door sign



3-line Mini door sign



4-line Mini door sign



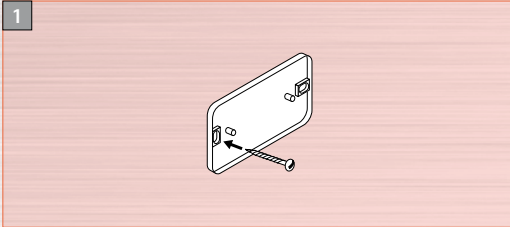
Special equipment

Mini sign, self-adhesive version

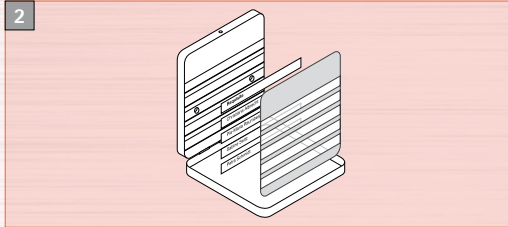
Fastening material (only suitable for solid walls)

* Mini door sign comprised of the base panel and non-reflective cover. No frames are available for the Mini door sign.

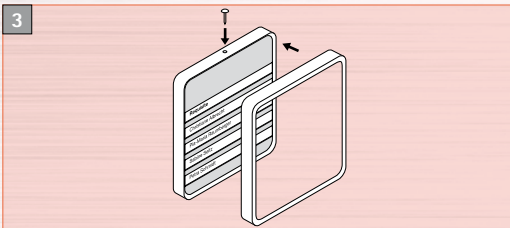
Maxi Installation and insertion of the sign information



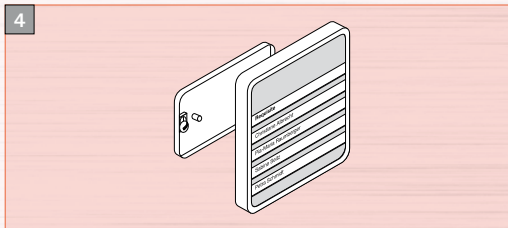
1 Drill the holes, insert dowels* in the holes and then fasten the mounting plate loosely with screws*. Align the mounting plate and then tighten the screws.



2 Apply strips of adhesive text in place or insert paper inlays. Place the colored foil (if used) in the cover panel and swing both together onto the base panel.

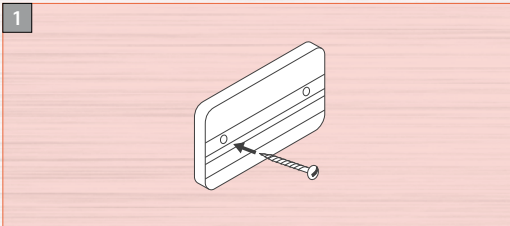


3 To protect the sign against theft a pin has to be inserted through the cover panel and base panel from the top. This ensures that the cover panel and base panel are firmly connected with each other. Then fit the frame.

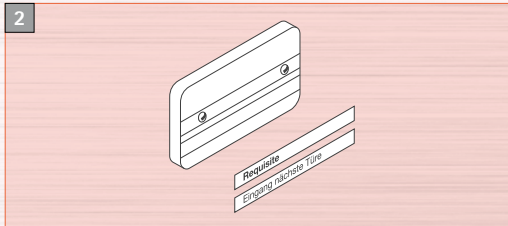


4 Press the complete sign firmly onto the pins on the mounting plate. The sign is now held securely.

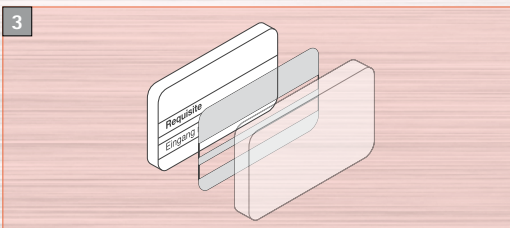
Mini Installation and insertion of the sign information



1 Mark the points for drilling the holes and then drill the holes as precisely as possible. Insert dowels* and fasten the base panel with a screw*.



2 Apply strips of adhesive text in place or insert paper inlays as applicable.



3 Place the colored foil (if used) in the cover panel and swing both together onto the base panel.

* Assembly material for wall mounting (screws and dowels) not included in delivery.

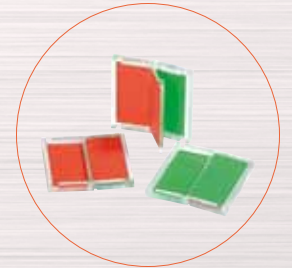
Universal display „free | engaged“

NEW

Multitalent & all-rounder - the universal free | engaged display can be used in various situations: on flat or convex signs (in all formats), on table displays, confidentiality displays or simply directly on the door.

Technical data:

The main body is made of transparent PMMA (format 46 x 46 x 5 mm). Switching between "free" or "engaged" is a simple matter of turning over the red or green surface. Delivery includes adhesive dots.



Name	Art. No.		
Universal display free engaged	i universalfb		

Maxi/Mini Colored foil, paper inlays and sign information

System	Format	Name	Art. No.		
	height x width in mm				
Maxi	150 x 150	Colored foil 0-line	i 6005 - 0F ... *		
Maxi	150 x 150	Colored foil 1-line	i 6005 - 1F ... *		
Maxi	150 x 150	Colored foil 2-line	i 6005 - 2F ... *		
Maxi	150 x 150	Colored foil 3-line	i 6005 - 3F ... *		
Maxi	150 x 150	Colored foil 4-line	i 6005 - 4F ... *		
Maxi	150 x 150	Colored foil 5-line	i 6005 - 5F ... *		
Maxi	150 x 150	Transparent foil	i 6005 - 0F0 **		
Mini	74 x 150	Colored foil 1-line	i 6001 - 1F... *		
Mini	93 x 150	Colored foil 2-line	i 6002 - 2F... *		
Mini	112 x 150	Colored foil 3-line	i 6003 - 3F... *		
Mini	131 x 150	Colored foil 4-line	i 6004 - 4F... *		

* Maxi colored foil is available in all 16 standard colors (F1 - F16).

Mini colored foil is available in 13 standard colors (shown in the color chart).

Please specify the required color number with the article number. Details are contained on page 97.

** Transparent foil for applying sign information with foil letters for pictograms and personal designs.

System	Format	Name	Art. No.	Unit pack	
	height x width in mm				
Maxi	150 x 150	Paper inlays	i 6005 - 100P *	50 items	
			i 6005 - 0P *	10 items	
Maxi	150 x 150	Transparent foil	i 6005 - 9P **	50 items	
Mini	74 x 150	Paper inlay 1-line	i 6001 - 100P *	50 items	
			i 6001 - 0P *	10 items	
Mini	93 x 150	Paper inlay 2-line	i 6002 - 100P *	50 items	
			i 6002 - 0P *	10 items	
Mini	112 x 150	Paper inlay 3-line	i 6003 - 100P *	50 items	
			i 6003 - 0P *	10 items	
Mini	131 x 150	Paper inlay 4-line	i 6004 - 100P *	50 items	
			i 6004 - 0P *	10 items	

* Paper inlays in pure white, pre-punched on DIN A4 sheet, blank for self-printing with laser or inkjet printers.

** Transparent foil, pre-punched on DIN A4 sheet, blank for printing with a laser printer.

System	Format	Name	Art. No.		
	height x width in mm				
Maxi/Mini	13 x 150	20 strips of text on sheet for printing yourself	i 3027 *		
Maxi/Mini	20	Room number, 1 to 3 digits	i Zi 1-3 **		
		Room number, 4 digits and more			
Maxi	150 x 150	Pictograms, design Otl Aicher	i 66 ***		
Accessories					
Design templates incl. Pictograms and free installation file „Inkscape“			i vorlagen		

* Card, for self-printing, self-adhesive, for laser printers.

** White or black.

*** On transparent foil in white or black.

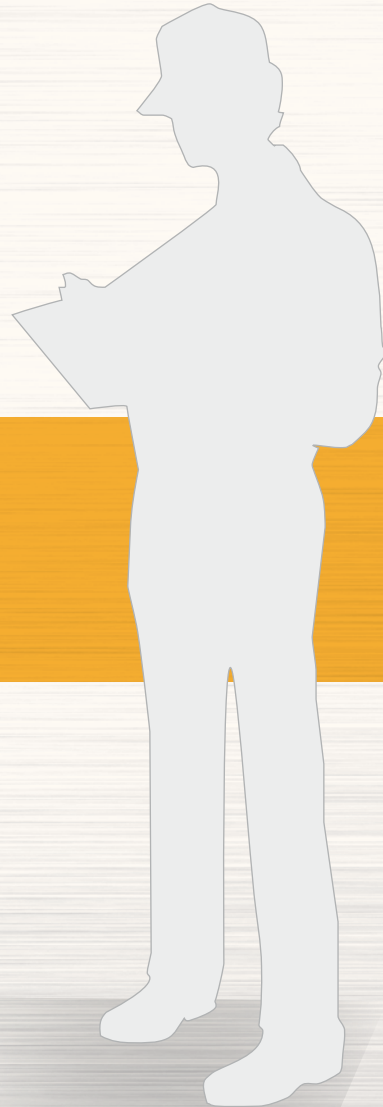


Extract from a wide range.
For further Otl Aicher pictograms, please refer to page 94 onwards.

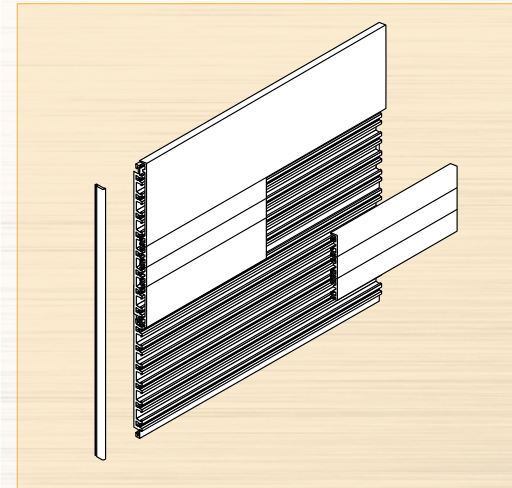
Maxi/Mini Overview of colored foil



Maxway Directory for wall mounting



The main information guide provides directions right at the entrance. Completely flexible in terms of size, design, color and panel combinations, the modular Maxway system permits solutions to be put together to meet the specific requirements of every individual end user. The sign information is applied directly to each panel in the form of foil text and can be replaced at any time.



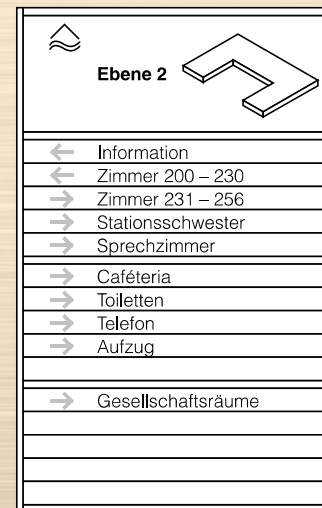
Technical data:

The system base panels made of aluminium have plastic panels (2-layer plastic profile, fire class B2, self-extinguishing) in the standard color RAL 9002 clipped onto them.

Thanks to the range of different panel heights (18, 36, 54, 72, 90, 108, 126 and 144 mm) the information sign can be fitted out to meet all specific user requirements. If higher information panels are required (e.g. location plan), a variable information panel can also be created. For a perfect visual appearance, please note that a standard panel (e.g. 18 mm) is always required at the top and bottom.

The edge rails are available in all our standard 17 Maxway colors.

Directory comprising an aluminium base panel, panels and edge rails. Please specify the required panel division with your order. Please note that the overall height of the directory must always be dividable into 18mm sections. The panel lengths are divided into 72mm sections as standard.



1 x panel 18 x 720 mm

1 x information panel 270 x 720 mm

1 x panel 18 x 720 mm

5 x panel 54 x 720 mm

1 x panel 18 x 720 mm

5 x panel 54 x 720 mm

1 x panel 18 x 720 mm

5 x panel 54 x 720 mm

1 x panel 18 x 720 mm

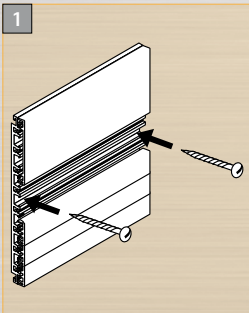
i mwwegwei	width 432 mm	width 648 mm	width 864 mm	width 1080 mm	width 1296 mm	width 1512 mm
height in mm						
144						
288						
432						
576						
720						
864						
1008						
1152						
1296						
1440						
1512						

Special equipment
Special color for edge rails in RAL color *
Special color for edge rails in metallic color *
Special color for panels in RAL color *
Special color for panels rails in metallic color *
Removal protection for the edge rails by means of locking screw

* Please specify the required color number with your order.

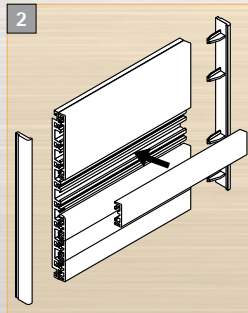
Replacement panels to supplement or replace panels on existing information signs can be enquired separately.

Installation



1 Mark the points for drilling the holes and then drill the holes as precisely as possible. Insert dowels* and fasten the aluminium base panel loosely. Adjust and fasten tightly with screws*.

* Assembly material for wall mounting (screws and dowels) not included in delivery.

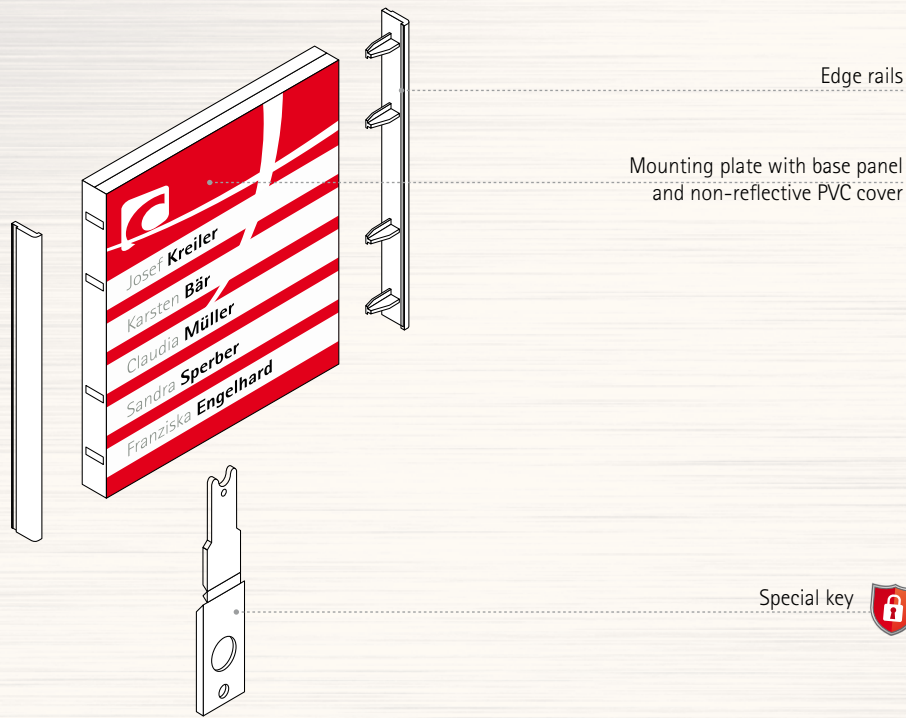


2 Clip on the rest of the panels and attach the edge rails.

Maxway Quattro Door sign for wall mounting



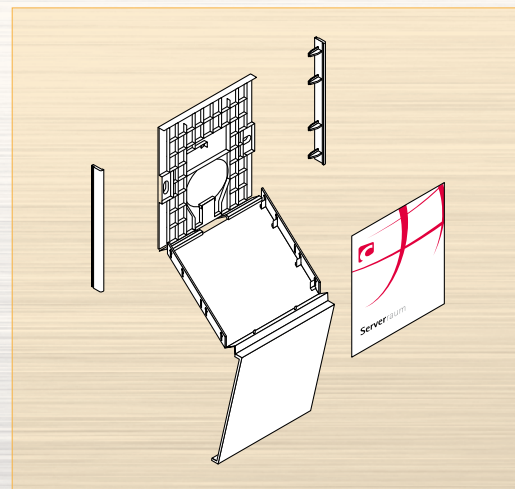
Maxway Quattro Door sign for wall mounting



Edge rails

Mounting plate with base panel
and non-reflective PVC cover

Special key



Maxway Quattro opened

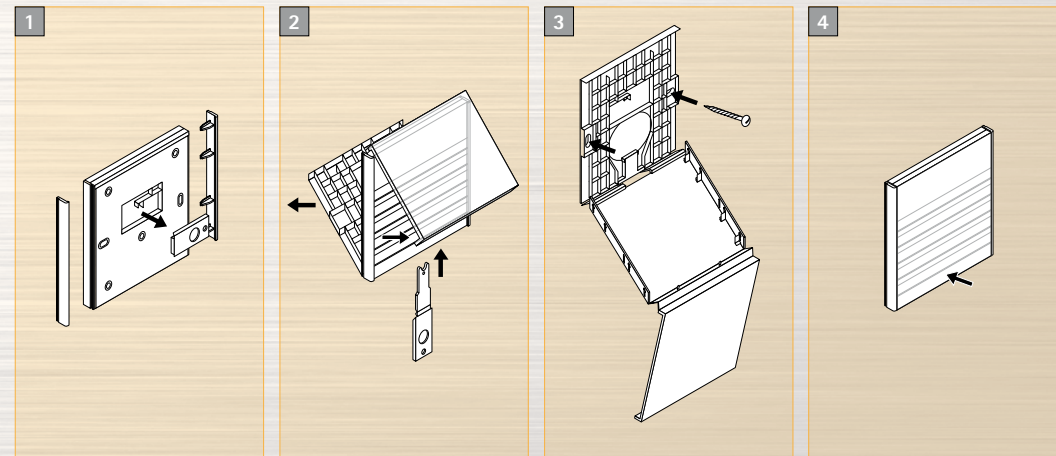
Sign size	Art. No.
height x width in mm	
144 x 144	i 8005 - a ... *

Special equipment
Special color for edge rails in RAL color **
Special color for edge rails in metallic color **

* Maxway Quattro door signs are available with edge rails in all our 17 standard colors (F1 to F17).

** Please specify the required color number with the article number when ordering. For details, please refer to page 97.

Installation and inserting the sign information



1. Clip on the edge rails and take the special key out of the back panel.

2. Fully insert the special key and pull gently towards you at the same time. Once the cover panel is open, fully ...

3. ... drill the holes, insert suitable dowels* and fasten the sign to the wall with two screws*. Swing the base panel back

4. Insert the strips of text, paper inlay, foil or pictogram. Swing the cover panel down over the base panel and latch into place by pressing in the middle at the bottom.

* Assembly material for wall mounting (screws and dowels) not included in delivery.

Recessed Floor Lights



	„CIRCLE 1“	„CIRCLE 2“	„SQUARE“	„FLEXI“	
	i leucht1 Swivel-mounted floor spotlight	i leucht2 Swivel-mounted floor spotlight	i leucht3 Asymmetric floor spotlight	i leucht4 Swivel-mounted floor spotlight	i spieß Floor spear for i leucht4
Illumination	Up to 2 metres high / 0.8 m wide	Up to 3 metres high / 1.5 m wide	Up to 2 metres high / 1 m wide	Up to 2.5 metres high	-
Illuminant	High volt halogen 75 W	Halogen metal halide lamp 70 W	T5 fluorescent lamp	Halogen metal halide lamp 70 W	-
Colour of light	2800K warm-white	840 neutral-white	840 neutral-white	840 neutral-white	-
Luminance in lumen	N.S.	6600	1750	7000	-
Life of illuminant	2000 hours	10000 hours	12000 hours	12000 hours	-
Light emission	Universal swivel-mounting	Universal swivel-mounting	Asymmetric	Symmetrically rotating swivel-mounting	-
Visible material	Stainless steel	Stainless steel	Stainless steel	Aluminium	-
Material of body	Plastic	Cast aluminium	Cast aluminium	Aluminium	Plastic
Format	215 mm in diameter	265 mm in diameter	120 x 1000 mm	250 mm in diameter / 380 mm high	250 mm (l)
Installation depth	225 mm	220 mm	110 mm	-	250 mm
Load capacity	2000 kg	5000 kg	Load bearing	-	-
Protection rating	IP 67	IP 66	IP 67	IP 44	-
Assembly	Including built-in casing	Including built-in casing	Including built-in casing	Using screws or floor spear	Directly into the floor

Information stand

The latest trend – the mobile Infostativ "Madrid" combines functionality with aesthetics and thus draws attention to itself.

Technical data:

The curved aluminium holder (silver) is fastened to the stand made of steel in the format 220 x 300 x 4 mm (painted in RAL 7021 black grey) at the height of 900 mm. Exchangeable modules in varying formats can be stuck on and provide space for varying information.



Information stand

Information stand		Art. No.	
height in mm			
900 mm	silver RAL 9006 / gray RAL 7021	i stativ	

Exchangeable module

Sign size		Information area	Art. No.	
height x width in mm		height x width in mm		
299,5 x 212,5	DIN A4 portrait	293 x 206	i 2504goa*	
212,5 x 299,5	DIN A4 landscape	206 x 293	i 2514goa*	
422,5 x 299,5	DIN A3 portrait	416 x 293	i 2503goa*	
299,5 x 422,5	DIN A3 landscape	293 x 416	i 2513goa*	

Brochure holders made of transparent acrylic

Brochure dispenser		Art. No.	
for DIN A4 portrait	acrylic, transparent	i 13704	

* The back panel on the exchanger modules do not have any holes. A double-sided adhesive tape for sticking in place is included (for retrofitting).

Spacers for wall-mounted systems

Moedel spacers open up a multitude of design options. With four different sizes available it is possible to adapt to material thicknesses ranging from 1 to 16 mm and spaces to the wall of 6 to 18 mm. For high quality requirements, two surface finishes are available – chrome-plated and gold finish. To ensure that they are long lasting the high quality base material is brass.



for material thickness	∅	Space to wall	Hole size	Art. No.	Art. No.		
in mm	in mm	in mm	in mm	silver / chrom	gold		
1 - 5 mm	10 mm	6 mm	7 mm	i 7451s *	i 7351g ***		
2 - 5 mm	14 mm	6 mm	9 mm		i 7352g ***		
3,5 - 5 mm	13 mm	6 mm	9 mm	i 7452s *			
2 - 10 mm	18 mm	12 mm	11 mm	i 7353s *	i 7353g ***		
4 - 16 mm	24 mm	18 mm	13 mm	i 7354s	i 7354g **		

* Spacers are only available in unit packs of 10 items. Sold only in sealed unit packs.

** While stock lasts.

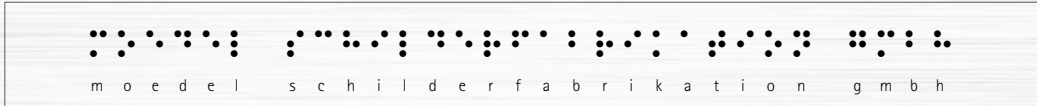
Braille lettering

Louis Braille (* 4 January 1809 in Coupvray near Paris; † 6 January 1852 in Paris), who became blind at the age of four, developed the raised dot form of reading and writing which is still known by his name today. This is based on a system of 6 dots which are arranged in two parallel vertical rows of 3 dots each, making them ideal to read. It was only 17 years after his death (1879) that Braille was officially introduced in Germany. Today it forms the basis for communication and orientation for people with sight impairments.

The German Federal Law on Equal Opportunities for and Prevention of Discrimination against People with Disabilities (BGG) is intended to eliminate and prevent discrimination against or disadvantage to persons with disabilities, to guarantee their equal opportunities within society and to guarantee their rights to an independent life (Section 1 BGG).

Section 4 BGG (Elimination of barriers) sets out the minimum conditions required for changes to all public areas of life in order to meet the requirements for equal opportunities for persons with disabilities in respect of access and use.

Information or leading signage naturally plays an important role. Therefore almost all paper flexible wall plates from our product range are available with embossed or tactile cover. If for technical reasons a cover cannot be embossed, then an aluminium or stainless steel strip is a perfectly aesthetic solution (upon inquiry).



You need to send us the text you require in punched dots, in black lettering, plus the desired position on the cover. Given that Braille is not international, you need to tell us which country it is to be used in. Unless you specify otherwise we shall supply the text in the version used for Germany as standard.



Door Signs and Directories with punched raised-dot lettering (Braille)

System	for sign	Page	Information area width in mm	Art. No.
Orlando	i 1000	18	100	i 1000braille
	i 1148 / i 1105	18	140	i 1000braille
Oslo	i 2601 / i 2600 / i 2605	32	144	i 2600braille
	i 2615 / i 2604	32 / 33	206	i 2600braille
	i 2614 / i 2603	33	293	i 2600braille
Sydney	i 9600	44	134	i 9600braille
	i 9604	44	200	i 9600braille
	i 9624 / i 9603	44	287	i 9600braille
Frankfurt	i 2115	49	108,5	i 2100braille
	i 2148 / i 2105	49	143	i 2100braille
	i 2104	49	201,5	i 2100braille
	i 2114 / i 2503	49	289,5	i 2100braille
Madrid	i 2506	58	99	i 2500braille
	i 2501 / i 2500 i 2505 / i 2516	58	144	i 2500braille
	i 2515 / i 2504	58 / 59	206	i 2500braille
	i 2514 / i 2503	59	293	i 2500braille

Adhesive strips with punched raised-dot lettering (Braille)

Punched on transparent adhesive strips; height of the adhesive strip approx. 15 mm; tactile height 0.8 mm. Please specify the required length with your order. Minimum order: 10 adhesive strips.

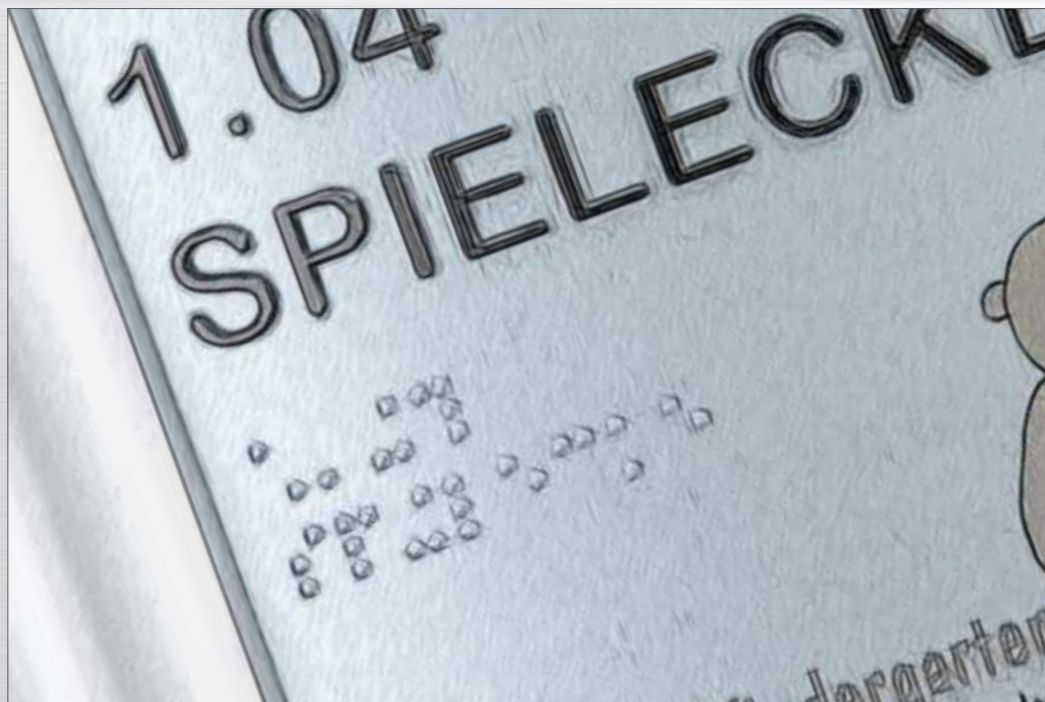
for sign	Length in mm	Art. No.
DIN A6 portait	105	i klbraille
DIN A5 portait	150	i klbraille
DIN A4 portait	210	i klbraille
DIN A3 portait	297	i klbraille

Tactile Characters / Letters / Pictograms

Door Signs and Directories with tactile room numbers and/or letters;
tactile height: 0.8 mm; black characters as standard, other colors on request.
Character height 14 - 20 mm (dependent on length of run / specify in order).

System		Art. No.	
Orlando	Sign information for 1 to 3 characters	i 1000zi	
Rio	Sign information for 1 to 3 characters	i 9200zi	
Oslo	Sign information for 1 to 3 characters	i 2600zi	
Sydney	Sign information for 1 to 3 characters	i 9600zi	
Frankfurt	Sign information for 1 to 3 characters	i 2100zi	
Madrid	Sign information for 1 to 3 characters	i 2500zi	
	Sign information from fourth character plus per additional letter/digit/character		

Tactile pictograms upon request.

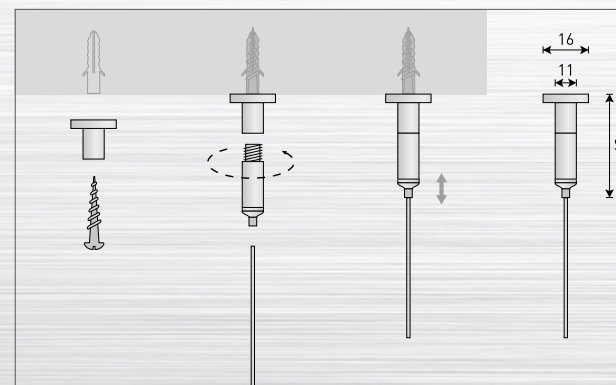


Automatic ceiling systems

For fastening signs with ropes - with stepless adjustment.



Fastening material for ceiling suspension		Art. No.	
Reel of steel cord (Ø 1.5 mm)	10 m	i 7940-10	
	30 m	i 7940-30	
	50 m	i 7940-50	
Automatic unit (instead of hooks)		i 7732	



* Assembly material for wall mounting (screws and dowels) not included in delivery.

Load capacity: 25 kg per automatic unit.
Please ensure that the screws* and dowels* are large enough.

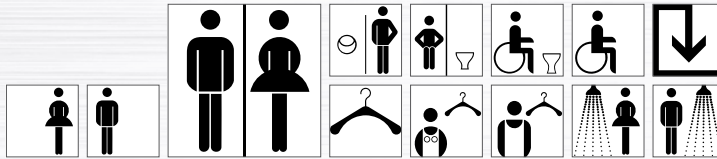
Installation:

1. Insert dowels* and install the ceiling fasteners.
2. Screw the cord fastener to the ceiling fastener.
3. Insert the steel cord in the cord fastener. Press the cord channel in to adjust the cord.

Pictograms as sign information inlays

A pictogram (from the Latin *pictum*, meaning drawn, picture; Greek *gráphein*, meaning write) is a stand-alone symbol which conveys its message by means of simplified graphic representation. Our pictograms from Otl Aicher unify simplified graphic images and internationally recognized, high-quality design in one.

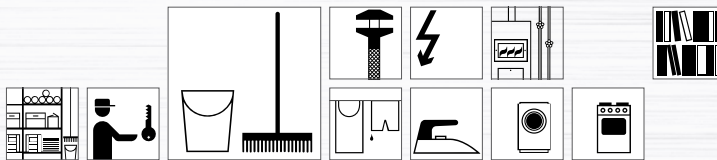
Sanitary facilities



Direction signs



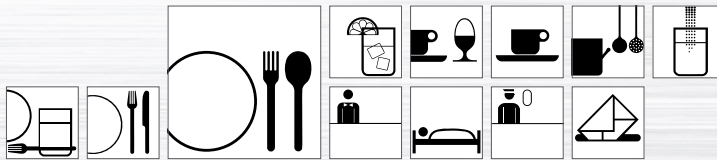
Utility rooms



Usable rooms



Restaurants and hotels



Medical



Prohibitions



Description	Art. No.
Sanitary facilities	
WC Ladies	i 004
WC Gentlemen	i 005
WC general	i 006
Urinal	i 002
Lavatory pan	i 003
WC Disabled	i 083
Severely disabled	i 076
Waste	i 001
Cloakroom	i 210
Ladies changing room	i 664
Men's changing room	i 662
Ladies shower	i 081
Men's shower	i 082
Direction signs	
Arrow pointing down	i 025
Arrow pointing up	i 026
Arrow pointing left	i 027
Arrow pointing right	i 028
EXIT	i 017
Exit	i 094
Entrance	i 095
Muster station	i 016
Stairway down	i 097
Stairway up	i 098
Escalator down	i 099
Escalator up	i 100
Elevator	i 093

Description	Art. No.
Utility rooms	
Storage area	i 046
Caretaker	i 586
Cleaning equipment	i 045
Repairs	i 139
Caution electricity	i 018
Technical facilities	i 291
Library	i 223
Drying area	i 220
Ironing facilities	i 221
Clothes washing facilities	i 225
Kitchen	i 226

Description	Art. No.
Usable rooms	
Waiting room	i 163
Television room	i 218
Reading room	i 219
Club meeting room	i 224
Sleeping area	i 541
Parents room	i 540
Hairdressers	i 022
Photographic industry	i 279
Assembly hall	i 563
Meeting room	i 580
Conference room	i 581
Conference information	i 584
Copying facilities	i 587

Description	Art. No.
Prohibitions	
No smoking	i 019
Do not touch	i 020
No photography	i 030
No animals	i 090
No children	i 091
No access	i 092

Description	Art. No.
Restaurants and hotels	
Buffet	i 194
Restaurant	i 195
Dining area	i 542
Bar	i 191
Breakfast	i 192
Café	i 193
Kitchen	i 196
Drinking water	i 023
Reception	i 214
Hotel	i 215
Porter	i 446
Letterbox	i 516

Description	Art. No.
Medical	
First aid	i 069
First-aid attendant	i 067
Red Cross	i 070
Baby unit	i 469
Physiotherapy	i 481
Pharmacy	i 068
Hospital	i 074
Medicinal baths	i 075
Reception	i 465
Doctor	i 464
Nurse	i 463
Operating theater	i 467
Outpatients clinic	i 462
Eye clinic	i 461
X-ray department	i 466
Maternity care	i 470
Ears, nose and throat	i 471
Lung diseases	i 475
Urology	i 476
ECG	i 477
Neurology	i 483

© by Ercó Leuchten GmbH

Other pictograms available on request.

Please specify the article number of the pictogram with the article number of the sign to which it is to be applied.

Pictograms for other signs

		Format Ø	Art. No.		
		in mm			
Door marking in acrylic, material thickness 3 mm, self-adhesive					
	DRÜCKEN	50	i 7007		
	ZIEHEN	50	i 7008		
Door marking in brushed stainless steel, material thickness 0.8 mm, self-adhesive					
	DRÜCKEN	50	i 7009		
	ZIEHEN	50	i 7010		
	PUSH	50	i 7013		
	PULL	50	i 7014		
	WC general	50	i 7018		
	WC Ladies	50	i 7020		
	WC Gentleman	50	i 7021		
	WC Disabled	50	i 7019		

		Format Ø	Art. No.		
		in mm			
Door marking in brushed stainless steel, material thickness 0.8 mm, self-adhesive					
	Parents room	50	i 7022		
	No smoking	50	i 7017		
	Smoking area	50	i 7024		

		Version	Art. No.		
	WC Gentleman	Acrylic	i 7001 F15		
		Stainless steel	i 7002		
	WC Ladies	Acrylic	i 7003 F15		
		Stainless steel	i 7004		
	WC Disability	Acrylic	i 7005 F15		
		Stainless steel	i 7006		

Acrylic: Material thickness 3 mm, symbol height 150 mm, light-gray F15, self-adhesive (w/o illustration).

Brushed stainless steel: Material thickness 1.5 mm, symbol height 150 mm, self-adhesive.

Foundation Specification

The static calculations for the dimensions of the foundations were prepared on the basis of DIN 1045-1 and DIN 1055-4. During the calculations, 3 foundation sizes were selected for observation, which can be used in connection with the positioned dimensions.

These are only recommendations. The calculations are only binding for the WLZ II inland wind load zone. For zones with stronger design winds, separate verification is required or the foundation dimensions must be generously increased. The floor should have a minimum load bearing capacity of 150 kN/m².

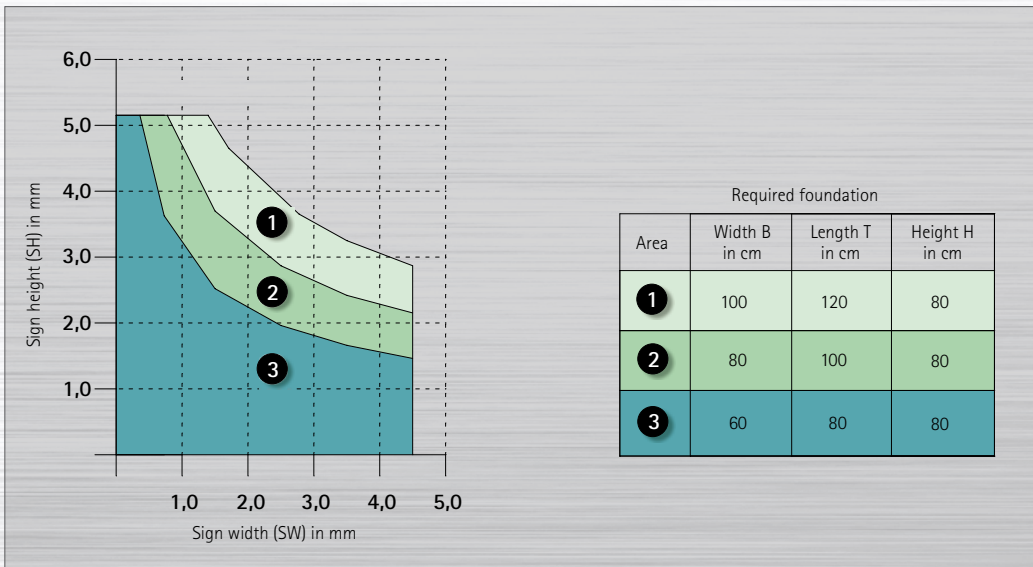
Information about Creating Foundations

To reduce the concrete mass, two individual foundations should be selected as foundation components. The foundations must have a minimum concrete strength category of C20/25, XC2 in accordance with DIN 1045-1 and be reinforced with Q 188-A concrete reinforcement. If the foundation edge is above the ground, the degree of reinforcement should be appropriately increased to avoid excessive shrinkage cracks (e.g. 0335-A).

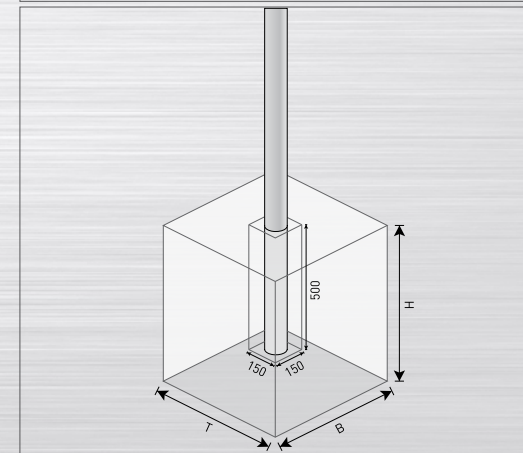
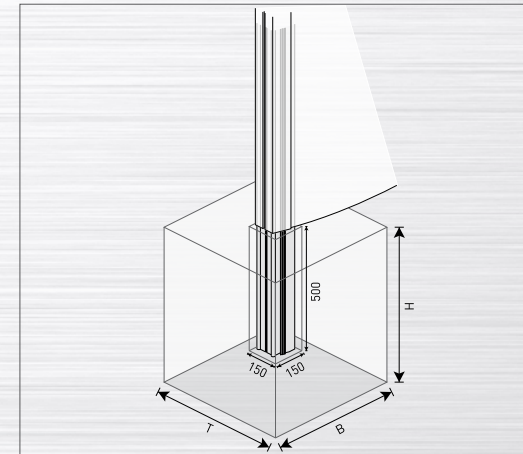
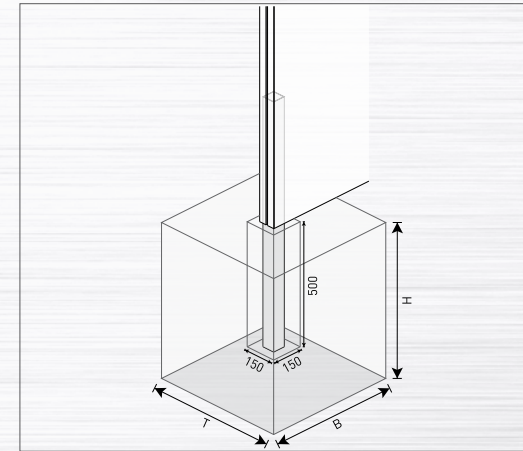
The foundation base must be routed to a frost-free depth, i.e. at least 80 cm beneath the top ground surface. In regions with deeper frost actions, the foundations should either be established deeper by adapting the height of the foundation or by inserting a lean concrete layer beneath the foundations.

The tubular with dimensions height x width x depth (h x w x d)= 500 x 150 x 150 mm* must be encased with a C20/25 concrete (largest grain 8 mm) after adjusting the positioned.

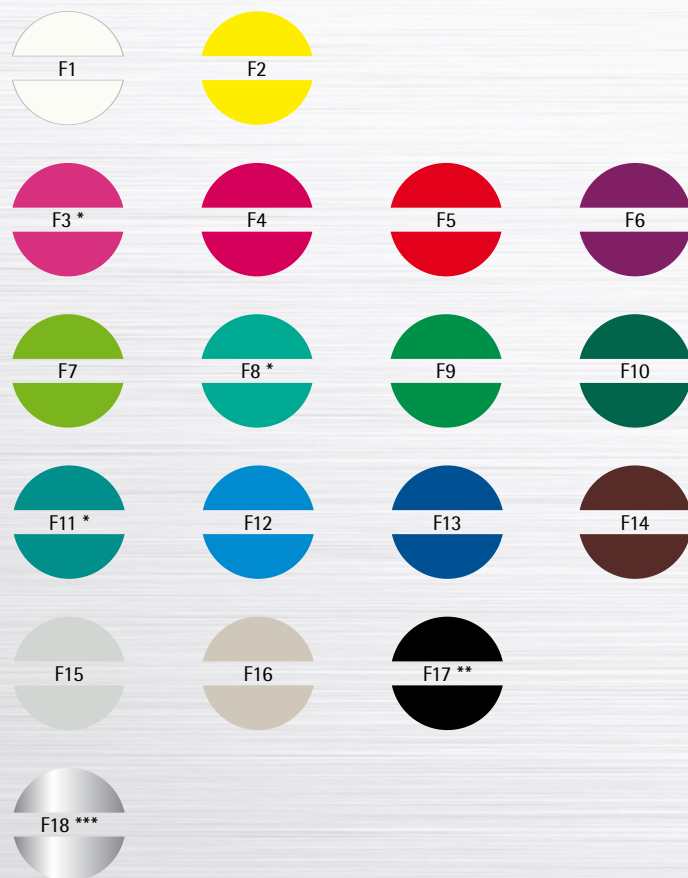
The positioners must not be assembled before the concrete early strength (5-day strength).



* Please be aware that Berlin Entrée posts with a diameter of 150 & 200 mm require a larger tubular. We recommend (h x w x d) 500 x 200 x 150 mm or 500 x 250 x 150 mm.



Color chart



Variations in color resulting from the printing process or production process (plastic injection-molding, painting on different materials, screen printing, etc.), shall not be accepted as a reason for complaint.



* Not available for Mini color foils.

** Only available for Quattro and Maxway edge rails, while stock lasts.

*** Silver-anodized or painted silver.

Data imports

Screen printing, Signa 2000 and Gerber Edge

We require vector data which you can supply to us in any of the following file formats/programs:

- Macromedia Freehand up to Version 11 (MX) (*.fh11)
- Adobe Illustrator 14 (CS4) (*.ai)
- CorelDraw Dateien up to Version 14 (X4) (*.cdr, *.cmx)
- Open PDF-Dateien (containing only vector data) (*.pdf)
- EPS-files (containing only vector data) (*.eps)

All fonts used must be converted to paths/vector paths in all cases ("Convert to curves" or "Convert to path/vector path" commands) or the font box has to be included. Design templates created with QuarkXPress cannot be processed.

Digital printing

We require image or vector data which you can supply to us in any of the following file formats/programs:

- Macromedia Freehand up to Version 11 (MX) (*.fh11)
- Adobe Illustrator up to Version 14 (CS4) (*.ai)
- CorelDraw files up to Version 14 (X4) (*.cdr, *.cmx)
- Adobe Photoshop up to Version 11 (CS4) (*.psd)
- Corel PHOTO-Paint up to Version 14 (X4) (*.cpt)
- QuarkXPress up to Version 6.5 (*.qxd, *.qxp)
Include the original image data and font box.
- Adobe InDesign up to Version 6 (CS4) (*.indd)
Include the original image data and font box or convert the characters to paths in InDesign.
- Open PDF files (*.pdf)
Fonts used must be embedded or converted to paths before the creation of the PDF.
- EPS files (*.eps)
- TIFF files (*.tif)
- JPEG files (*.jpg)
- All other program-independent files on request

Imagefiles

Image files must be created in CMYK mode with an image resolution of at least 72 dpi in the original size. The required file size for a non-compressed TIFF file for a printed image of 1 x 1 m with an image resolution of 72 dpi is approx. 25 MB.

File formats which cannot generally be used:

- Word documents (*.doc)
- PowerPoint presentationen (*.ppt, *.pps, *.pot, *.html)
- Excel files (*.xls)

General information:

Minor color tolerances for technical reasons are permitted and must be accepted by the customer. Digital printing uses the colors cyan, magenta, yellow and black. A perfect reproduction of the colors in your original copy (HKS, pantone, etc.) cannot, therefore, be guaranteed. Deviations in color and slight stripe effects caused by printing cannot be precluded and shall not be accepted as cause for complaint.

When a data carrier is sent to us together with the original copy, only the data contained on the data carrier is binding for us.

Extract from our General Terms and Conditions of Sale and Delivery

General Information

These General Terms and Conditions of Sale and Delivery shall apply exclusively to all current and future business transactions between moedel and the customer. Pre-worded terms and conditions of purchase or other general terms and conditions of business used by the customer shall not apply.

§ 1 Agreement of the Contract

1. All offers made by the supplier are made without engagement and are non-binding. All documents supplied as part of the offer, such as illustrations, drawings, weights and dimensions, are indicative only unless expressly stated to be binding. Any drawings or technical documentation provided by the supplier in relation to the object of sale shall remain the property of the supplier.
2. Orders submitted by the customer are binding for the customer. If the customer is a merchant, the contents of all orders and agreements shall be defined exclusively by the written confirmation provided by the supplier, which is authoritative, unless contradicted immediately in writing by the customer. This shall apply in particular to orders made verbally, by telephone or via field operatives. Such written notice must be received by the supplier within one working day, otherwise it shall be deemed not to have been submitted immediately.

§ 2 Time of Delivery

1. The time specified by the supplier for delivery shall be non-binding, unless the supplier specifically confirms in writing that it is a "binding time for delivery".
2. Non-binding times for delivery shall be defined as "date of dispatch" dates. The time taken for the delivery will depend on the mode of dispatch and cannot be influenced by the supplier.
3. The supplier shall be entitled to make partial deliveries.
4. If delivery is delayed because of obstacles to operations, government order, delayed performance by subcontractors or force majeure, a reasonable extension of time shall be granted for the time for delivery. In any such case, the customer shall not be entitled to any claims for damages.
5. Compliance with the time for delivery shall be subject to the customer duly fulfilling his contractual duties in a timely manner. In particular, compliance shall be subject to the customer making all agreed payments and, where applicable, providing agreed security.
6. In all other respects, if there is a delay in delivery for which the supplier is at fault, the customer shall only be entitled to the assertion of any further rights if and when the supplier allows an extension of time for delivery of three weeks, set by the customer, to pass fruitlessly.

§ 3 Dispatch

1. The merchandise shall be dispatched from the registered place of business of the supplier. Unless agreed otherwise, the supplier shall be entitled to choose the transportation company and the mode of transportation itself. The risk shall pass to the customer at the point of dispatch from the registered place of business of the supplier even if it has been agreed that the merchandise is to be delivered carriage paid.
2. If dispatch is delayed for reasons caused by the customer, the risk shall

pass to the customer at the time at which the merchandise was ready for dispatch. The customer shall bear all costs incurred (in particular, storage costs) in relation to the delay.

3. Delivery shall be ex factory, plus packaging, unless otherwise agreed separately by contract (in particular, sheets of terms from the supplier). Special agreements such as flat-rate freight charges or free delivery are unilateral contractual agreements and can be revoked by the supplier at any time.

§ 4 Liability for Defects

1. The customer shall examine the delivered merchandise for any defects directly upon receipt and shall notify the supplier in writing of any such defects without delay (within two working days of the date of delivery at the latest). Where notice of defects is not received in due time, namely not in accordance with the aforementioned duty, such defects shall not be accepted by the supplier and shall be precluded from the warranty.

Notices of defects shall only be accepted by the supplier if made in writing. Any notification of defects made to field operatives or transportation companies or any other third party shall be deemed not to have been made in due form and time.

2. If the merchandise has to be returned to the supplier because a defect, the agreement of the supplier is required first. The supplier shall not be obliged to accept any returned merchandise if the return delivery was not agreed with the supplier in advance. In this case the customer shall pay all costs for the return delivery.
3. Where a complaint about a defect is justified and rectification of the defect or replacement delivery is required, the provisions relating to the time of delivery shall apply accordingly. The customer shall grant the supplier a reasonable extension of time for the fulfillment of performance in order to remedy the breach of the duty, but which may not exceed one week. The customer shall only be entitled to rescind the contract and/or submit a claim for damages if the supplier allows the extension of time for performance to pass fruitlessly.
4. Where it has been established that such a defect exists and that proper notice of the defect has been submitted, the customer shall be entitled to the following rights:
 - a. As a consequence of the defect the customer shall initially be entitled to demand remedial performance from the supplier.

In this case the supplier shall be entitled to decide, at his discretion, whether to replace the merchandise with a new delivery of the same merchandise or to rectify the defect.

- b. In addition, the supplier shall also be entitled to attempt remedial performance for a second time, the choice again being at the supplier's discretion, if the first attempt at remedial performance should fail. Only if the repeated attempt at remedial performance should fail shall the customer be entitled to rescind the contract or demand a reduction in price.

5. The customer shall only be entitled to claim compensation for damages or compensation for unnecessary expense if the duty to deliver merchandise free of defects was infringed intentionally or with gross negligence. The customer shall furnish evidence of the reason for and extent of the damages. The same shall apply to any unnecessary expense.
6. The warranty period is in accordance with statutory requirements for

delivered goods. In all cases, the customer shall furnish evidence that the defect already existed at the time of dispatch.

§ 5 Exclusion of Procurement Risk and Guarantees

The supplier accepts no form of procurement risk and no guarantees of such kind, unless expressly agreed with the customer in writing.

§ 6 Prices

Prices shall be calculated ex factory of the supplier in Euro plus the applicable, valid rate of statutory Value Added Tax.

In addition, the supplier shall be entitled to make adjustments to prices if these are required to account for any increases in the costs of raw materials, wages, energy and similar costs or changes in production in response to changes in the use of raw materials, where this occurs between receipt of the order and production.

§ 7 Terms for Payment

1. All invoices issued by the supplier shall be paid net cash. Any deductions for discounts require prior written agreement (in particular, the sheets of terms from the supplier).
2. Payment not received by the due date shall be subject to default interest of 8% above the basic rate of interest of the German Federal Bank on the invoice sum, once a warning has been issued.
3. Where cheques are not honored by the drawee on the due date, all other claims to payment from the customer to the supplier shall also become due for immediate payment. Any other outstanding terms for payment shall become void. The same shall apply to any cases where a claim for payment is not met on the due date.
4. The customer shall not be entitled to withhold or offset payment because of any possible counter-claim of the customer, unless such counter-claim is uncontested or has become legally effective.
5. All claims for payment from the customer to the supplier, regardless of legal reason, shall be due for immediate payment if circumstances should arise which entitle the supplier to rescind the contract because of legal requirements or contractual requirements.

§ 8 Retention of Ownership

1. The supplier shall retain ownership of all delivered merchandise until full payment of the purchase price has been received and all claims arising out of or in connection with the business relationship have been met (extended retention of ownership).
2. The customer shall only be entitled to dispose of the merchandise which is subject to the retention of ownership, in whatever form, within the normal course of business. However, the customer is not entitled to encumber the merchandise with a security right in respect of a third party within the normal course of business.
3. If the merchandise is sold within the normal course of business, the paid purchase price shall take the place of the merchandise. The customer herewith agrees to assign to the supplier all claims for payment arising out of any such sale. The customer shall be entitled to continue demanding payment for such claims for as long as he continues to meet his payment obligations in respect of the supplier. Taking account of the extended retention of ownership (assignment in advance of the

relevant claim for payment), any assignment to a third party, in particular to a bank, would be a breach of the contract and is therefore not permitted. The supplier shall be entitled to inspect the sales documents of the customer at any time and to inform the customer's own customer of the assignment.

4. Where the customer's claim for payment from the resale has been received in a current account, the customer herewith also assigns to the supplier his claim for payment from his customer from the current account. The assignment is for the amount demanded by the supplier from the customer in the invoice for the resold merchandise.
5. The customer shall advise the supplier immediately of any attachments in respect of the merchandise, along with a copy of the enforcement notice and a statutory declaration that the attached merchandise is the merchandise supplied by the supplier and which is subject to the retention of ownership.
6. On request from the customer, the supplier shall release securities to which it is entitled in accordance with the above clauses in this section, in so far as the realizable value of the securities exceeds the value of the sums owed by more than 20%, for the foreseeable future.
7. If the customer asserts his rights in relation to the retention of ownership, this shall not relieve the customer from his contractual duties. The value of the merchandise at the time of its return shall simply be offset against the outstanding claim for payment from the customer to the supplier.

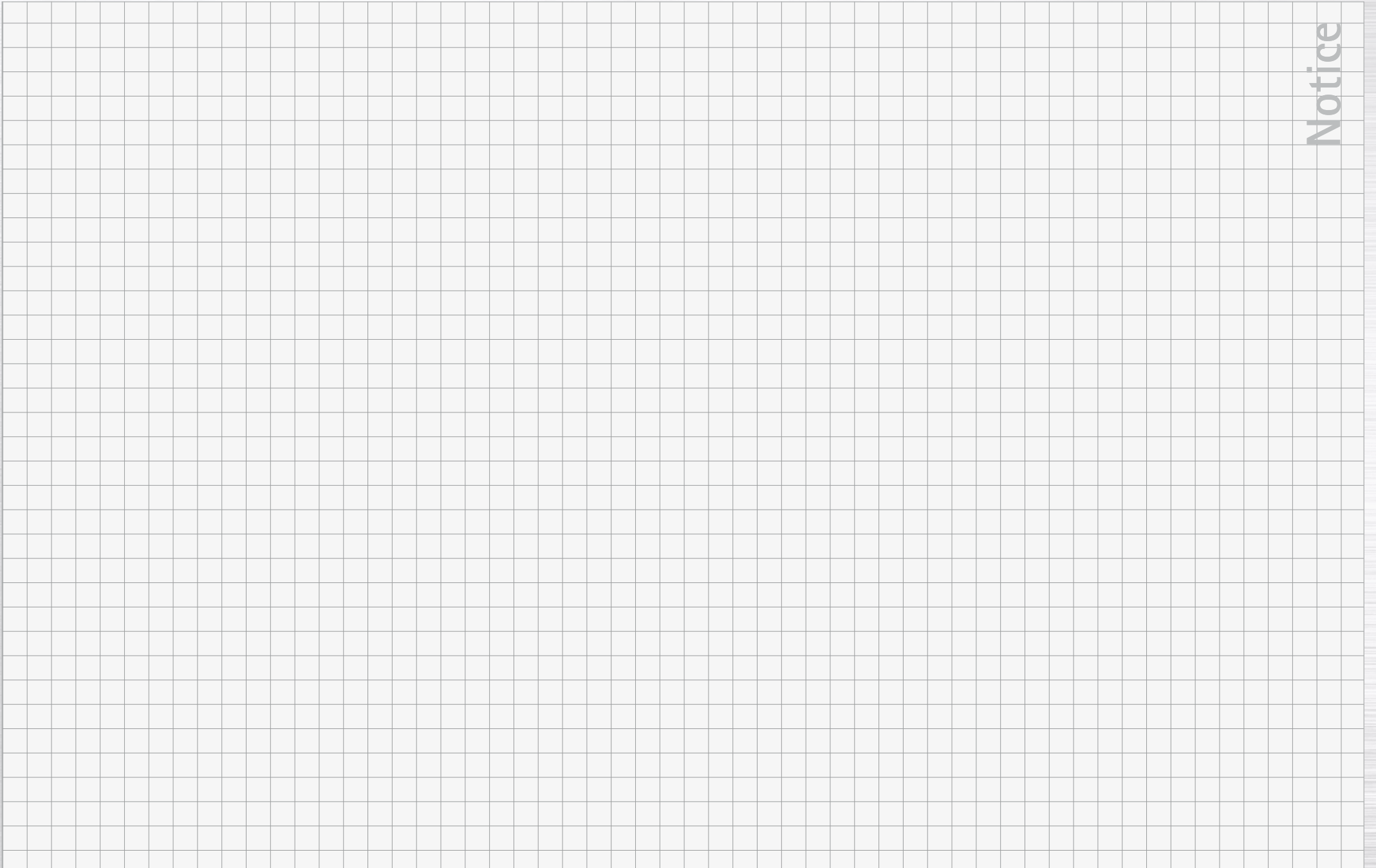
§ 9 Entitlement of the Supplier to Rescind the Contract

The supplier shall be entitled to rescind the contract for the following reasons:

1. Where circumstances are brought to the attention of the supplier after the conclusion of the contract, which cast doubt on the credit standing of the customer. Reasons for doubt about the credit standing of the customer can include a protested cheque, cessation of payment by the customer or an unsuccessful enforcement action in respect of the customer. It shall not be necessary for such circumstances to be concerned with transactions between the supplier and the customer only.
2. Where it becomes apparent that the customer provided inaccurate information in relation to his credit standing and that this information is of considerable importance.
3. If the merchandise subject to the reservation of ownership of the supplier is sold outside the normal course of business, in particular by way of a security or pledge. An exception shall only be made if prior written agreement to the sale is given by the supplier.

§ 10 Place of Performance and Jurisdiction

1. Where the customer is a merchant or a legal entity subject to public law, or a trustee of public funds, the registered place of business of the supplier shall be the exclusive place of jurisdiction for any disputes arising out of or in connection with the contractual relationship. The registered place of business of the supplier shall be the place of performance.
2. The laws of the Federal Republic of Germany shall apply exclusively. This also applies to the international sale of goods.



Notice



Schilderfabrikation Moedel GmbH

➔ Warnen-Sichern-Kennzeichen

➔ Digitaldruck - Siebdruck

Werk I
August-Borsig-Straße 1
Industriegebiet Nord
D-92224 Amberg

➔ Leit- und Orientierungssysteme

Werk II
Wernher-von-Braun-Straße 13
Industriegebiet Nord
D-92224 Amberg

Postfach 1755
D-92207 Amberg

Telefon +49/9621/605-0
Telefax +49/9621/605-145
E-Mail amberg@moedel.de
Web www.moedel.de

Niederlassung Berlin
Danziger Straße 64
10435 Berlin
Telefon +49/30/44 34 09 56
Telefax +49/30/44 34 09 57
E-Mail berlin@moedel.de